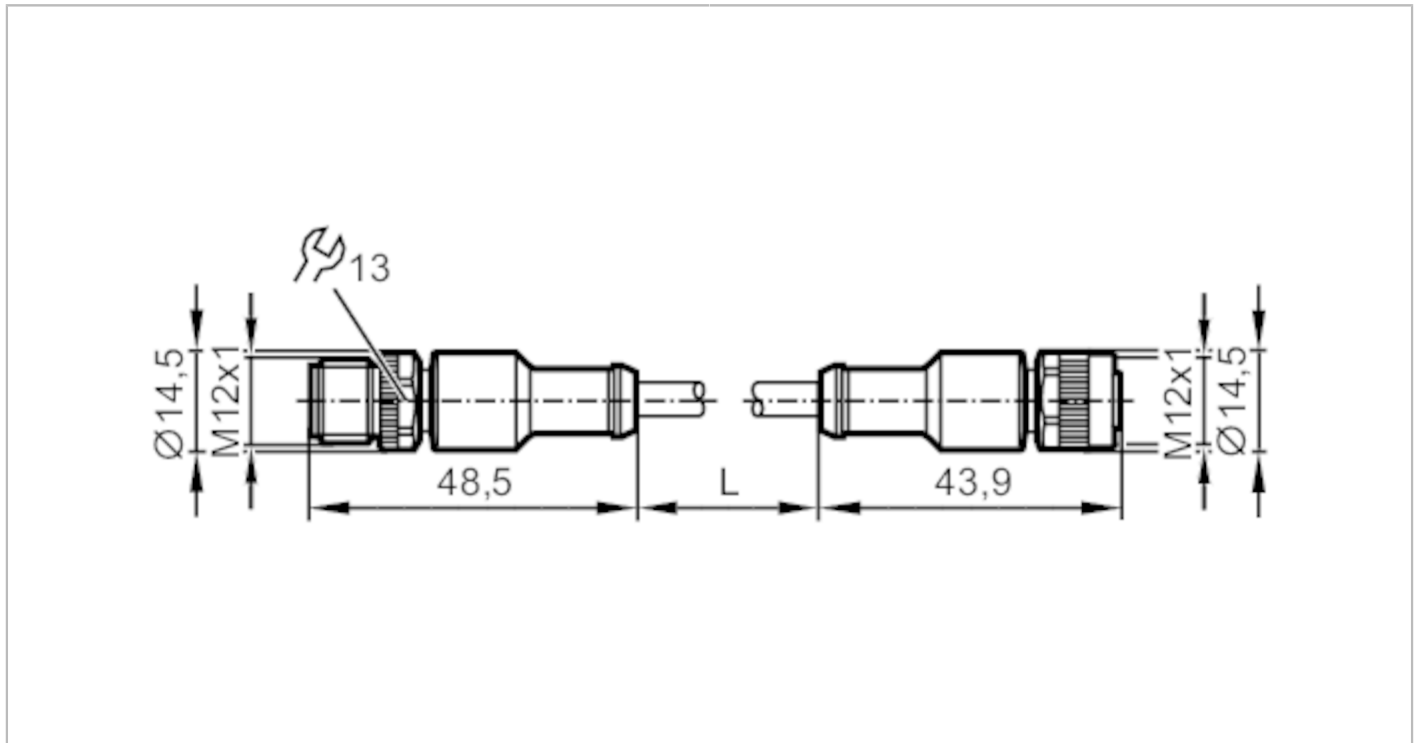


E12332



Connection cable

VDOGH040MSS0015C04STGH040MSS



Application	
Special feature	Free from silicone; Gold-plated contacts; Screened cable
Free from silicone	yes
Electrical data	
Operating voltage [V]	< 50 AC / < 60 DC
Protection class	III
Max. current load total [A]	4
Operating conditions	
Ambient temperature [°C]	-25...85
Protection	IP 68
Mechanical data	
Weight [g]	569.5
Dimensions [mm]	14.5 x 14.5 x 48.5
Materials	PUR
Material nut	diecast zinc, nickel-plated / diecast zinc, nickel-plated
Remarks	
Pack quantity	1 pcs.
Electrical connection - plug	
Connector: 1 x M12, straight; Moulded body: PUR; Locking: diecast zinc, nickel-plated; Contacts: gold-plated; Tightening torque: 0.7...0.9 Nm	

E12332



Connection cable

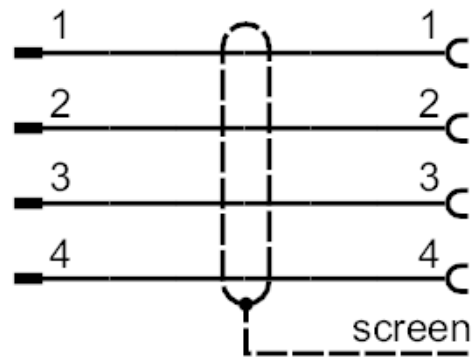
VDOGH040MSS0015C04STGH040MSS



Electrical connection

Cable: 15 m, PUR, black, Ø 5 mm, shielded; 4 x 0.34 mm² (4 x Ø 0.1 mm)

Connection



Electrical connection - socket

Connector: 1 x M12, straight; Moulded body: PUR; Locking: diecast zinc, nickel-plated; Contacts: gold-plated; Tightening torque: 0.7...0.9 Nm

