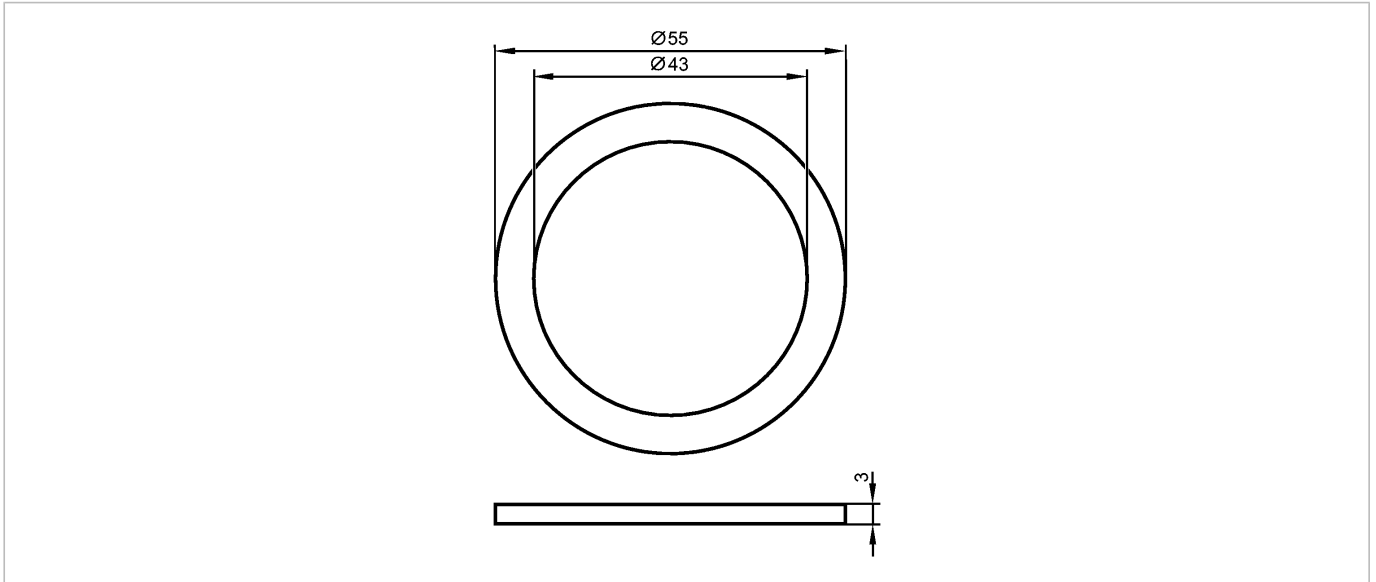


FLAT SEAL G2 CENTELLEN

Accessories



Product characteristics

Gasket

55 x 43 x 3

Mechanical data

for units with process connection

G 2

Housing materials

Centellen

Weight [kg]

0.006

Remarks

Pack quantity [piece]

10