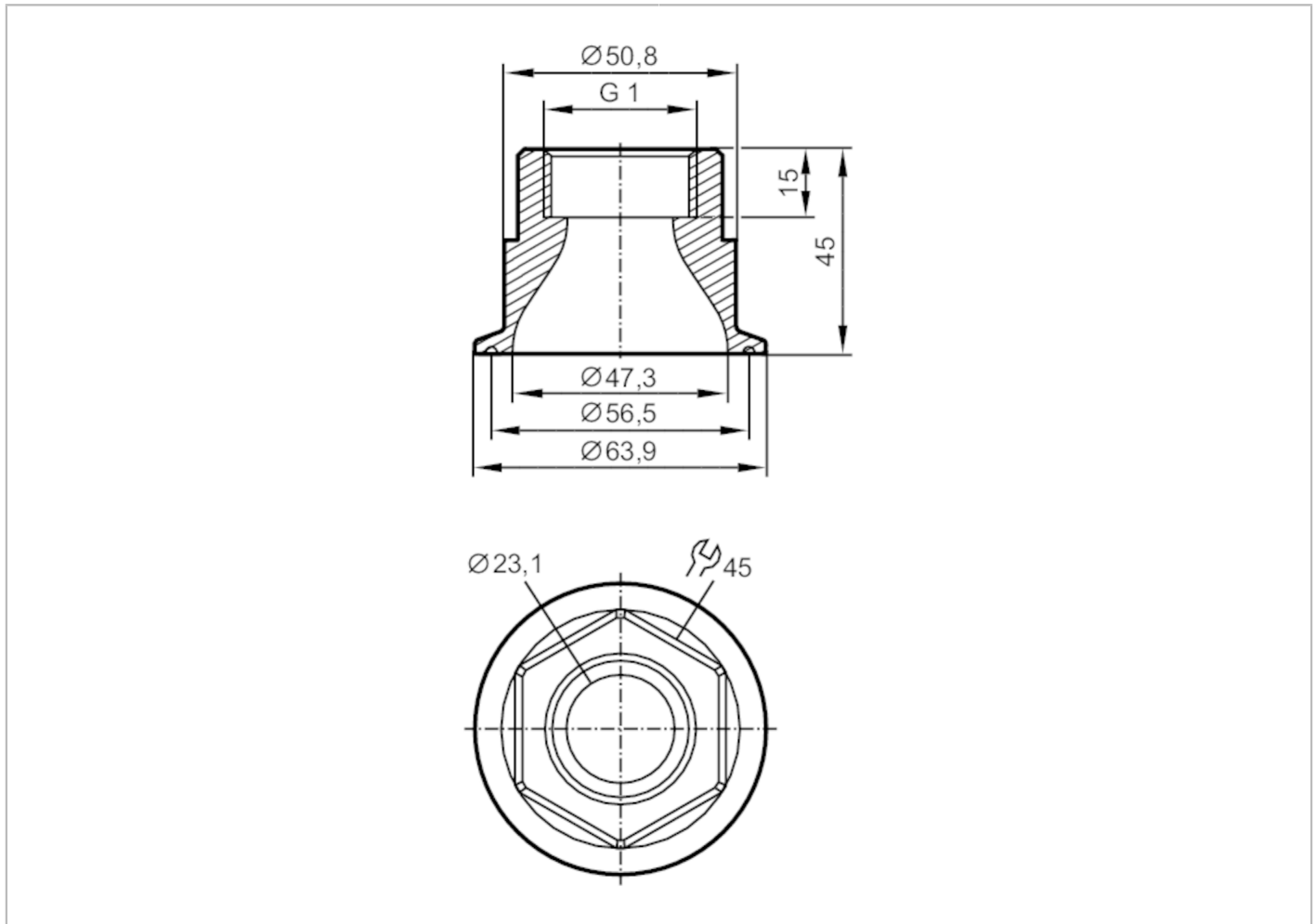


# E40252



## Mounting adapter for process sensors

ADAPT G1-CLAMP/D64,0/DIN32676



Application	
Design	for flow monitors Typ SM8
Application	for industrial applications; hygienic systems
Media	Liquids
Tests / approvals	
Pressure Equipment Directive	Sound engineering practice; can be used for group 2 fluids; group 1 fluids on request
Mechanical data	
Weight [g]	834.5
Materials	Adapter: stainless steel (1.4404 / 316L); Gasket: Centellen 23,5 x 30 x 3 mm
Sensor connection	G 1
Process connection	Clamp DN50 (2") DIN 32676 (ISO 2852)
Accessories	
Accessories (supplied)	O-rings: 2
Remarks	
Pack quantity	2 pcs.