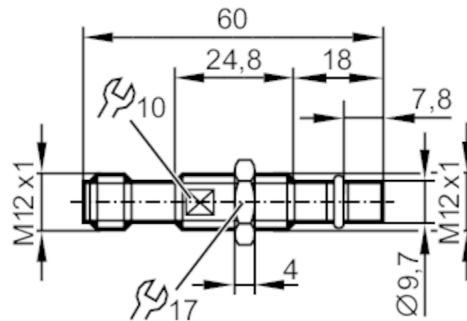


MFH209



Pressure-resistant position sensor for hydraulic cylinders

MFH4002BCPKG/B/AM/500/US



Product characteristics	
Electrical design	PNP
Output function	normally open / normally closed
Sensing range [mm]	1.8
Housing	threaded type
Dimensions [mm]	M12 x 1 / L = 60
Application	
Special feature	Full-metal housing
Application	hydraulic cylinders
Media	detects ferrous metals
Min. bursting pressure [bar]	2000
Pressure rating [bar]	500
Electrical data	
Operating voltage [V]	10...36 DC
Current consumption [mA]	< 23
Protection class	III
Reverse polarity protection	yes
Outputs	
Electrical design	PNP
Output function	normally open / normally closed
Max. voltage drop switching output DC [V]	1.6
Max. leakage current [mA]	0.1
Permanent current rating of switching output DC [mA]	100
Switching frequency DC [Hz]	1000
Short-circuit protection	yes
Type of short-circuit protection	pulsed
Overload protection	yes
Detection zone	
Sensing range [mm]	1.8

MFH209



Pressure-resistant position sensor for hydraulic cylinders

MFH4002BCPKG/B/AM/500/US

Accuracy / deviations		
Hysteresis	[% of Sr]	< 10
Switch point drift	[% of Sr]	10
Repeatability	[% of Sr]	10
Operating conditions		
Pressure peak	[bar]	1000
Ambient temperature	[°C]	-25...120
Protection		IP 65; IP 68; IP 69K
Tests / approvals		
EMC	EN 61000-4-2 ESD	4 kV CD / 8 kV AD
	EN 61000-4-3 HF radiated	10 V/m
	EN 61000-4-4 Burst	2 kV
	EN 61000-4-6 HF conducted	10 V
	EN 55011	class B
	DIN ISO 11452-5	100 V/m
Vibration resistance	EN 60068-2-6 Fc	20 g 50 sweep cycles per frequency; 1 octave per minute in 3 axes / 10...3000 Hz -20...50 °C
Shock resistance	EN 60068-2-27 Ea	100 g 11 ms half-sine; 3 shocks each in every direction of the 3 coordinate axes / -40...85 °C
	EN 60068-2-27 Ea	40 g 6 ms; 4000 shocks each in every direction of the 3 coordinate axes / -20...50 °C
MTTF	[years]	2006
UL approval	UL Approval no.	C009
Mechanical data		
Weight	[g]	30.7
Housing		threaded type
Mounting		flush mountable
Dimensions	[mm]	M12 x 1 / L = 60
Thread designation		M12 x 1
Materials		housing: stainless steel; O-ring: FKM; supporting ring: PTFE
Tightening torque	[Nm]	< 25
Full-metal housing		yes
Accessories		
Accessories (supplied)		lock nuts: 1
Remarks		
Pack quantity		1 pcs.
Electrical connection - plug		
Connector: 1 x M12		

MFH209

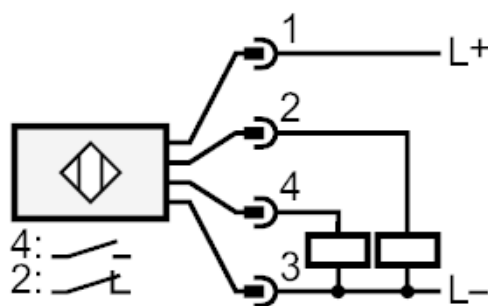


Pressure-resistant position sensor for hydraulic cylinders

MFB4002BCPKG/B/AM/500/US



Connection



Diagrams and graphs

Installation

