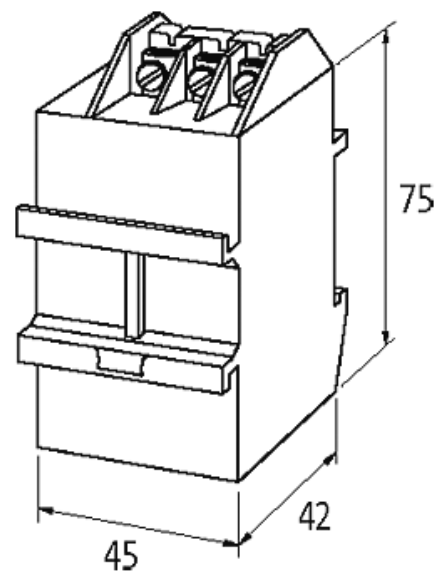


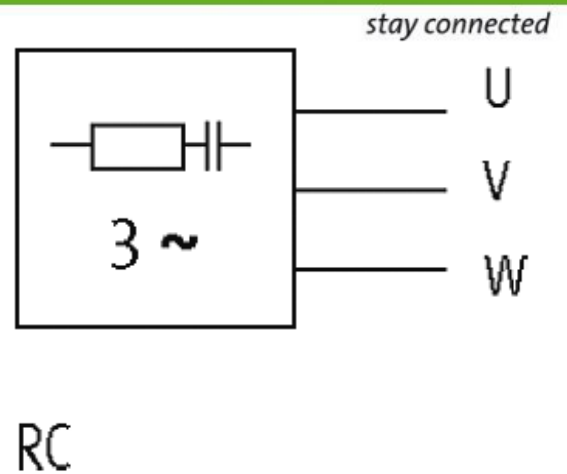
MOTOR SUPPRESSOR

RC, 3x400VAC/4kW

3 × 400 V AC
RC

Suppressors for other voltages, frequencies, and motor ratings available on request. Do not use RC motor suppressors with frequency inverters.

[Link to Product](#)**Illustration**



Product may differ from Image

Technical Data

Frequency	50...60 Hz
Material	Flame retardant plastic acc. to (UL 94)
Potting compound	2-component epoxy

General data

Connection	3-pole terminal, 2 × 0.75...2.5 mm ² , M4
Dimensions H × W × D	75×45×42 mm
Temperature range	-20...+60 °C

Commercial data

country of origin	CZ
customs tariff number	85363010
minimum order quantity	1