

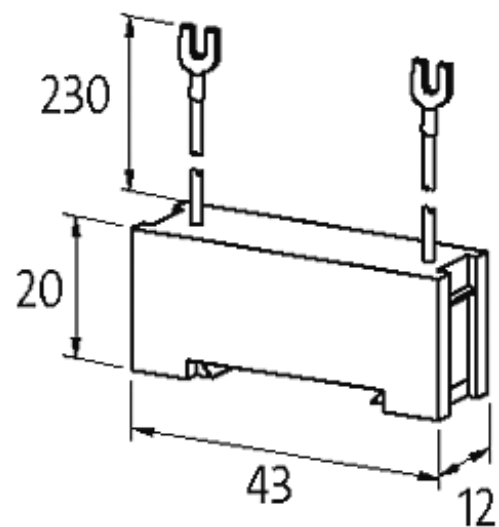
**SUPPRESSOR FOR CONTACTORS**

Diode, 24....240 VDC, 50 W

24...240 V DC

Diode

For other configurations and voltages, please inquire

[Link to Product](#)**Illustration**

stay connected



# Diode

Product may differ from Image

## Approvals



## Appropriate contactors

universal

## Technical Data

Damping factor	approx. 1.5 × UN
Material	Flame retardant plastic acc. to (UL 94)
Connection wires	self-securing cable forks
Max. power (W)	50 W(VA)

## General data

Temperature range	-20...+70 °C
Dimensions H × W × D	20×43×12 mm

## Commercial data

country of origin	CZ
customs tariff number	85363010
minimum order quantity	1