

MVP12, 6XM12, 5POLE, PLUGGABLE CABLE

10.0m PUR/PVC 12x0,34+5x0,75

6-way, 5-pole

PUR/PVC

10.0 m

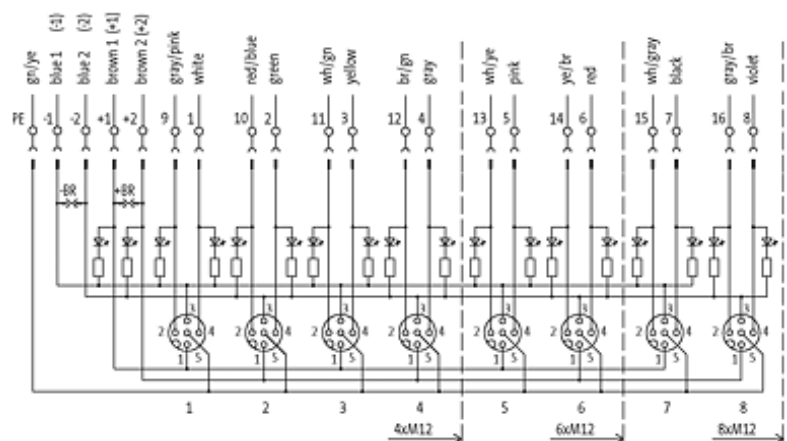
potentially separated

with LED for digital PNP-signals 24 V DC

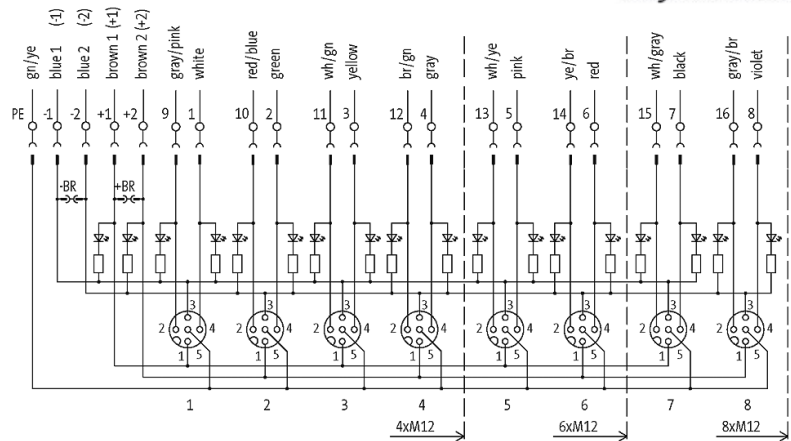
Further cable lengths on request. Plastic housings with good resistance against chemicals and oils. The resistance to aggressive media should be individually tested for your application. Further details on request.

[Link to Product](#)

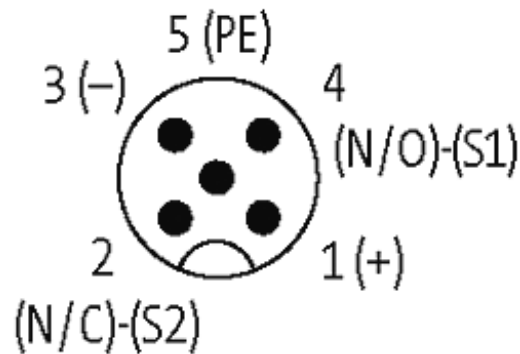
Illustration



stay connected



M12 Females 5-pole



Product may differ from Image

Approvals



Technical Data

Housing	Plastic, flame retardant
Protection	IP67 inserted and tightened (EN 60529)
Operating voltage	24 V DC
Signal per port	2
Operating current per contact	max. 4 A
Total current	max. 2 × 8 A
Locking of ports	Screw thread M12 × 1 mm

Cables

Cable number	396
No./diameter of wires	16×0.34 + 2×0.75 mm ²
C-track properties	5 Mio.

The information in this brochure has been compiled with the utmost care.

Liability for the correctness completeness and topicality of the information is restricted to gross negligence. Version: 05/15

Murrelektronik GmbH | Falkenstraße 3, 71570 Oppenweiler | Fon +49 (71 91) 47-0, Fax +49 (71 91) 47-491000 | shop@murrelektronik.de | shop.murrelektronik.de

Jacket Color	gray
Shore hardness outer jacket	89 ± 5A
Material (jacket)	PUR (UL/CSA)
Outer diameter	approx. 10.4 mm
Bend radius (fixed)	5 × outer Ø
Bend radius (moving)	10 × outer Ø
Temperature range (fixed)	-40...+80 °C
Temperature range (mobile)	-5...+60 °C

General data

Temperature range	-20...+80 °C
Dimensions H × W × D	125×50.2×17 mm

Contact layout

Contact 1	(+)
Contact 2	(NC)/(S2)
Contact 3	(-)
Contact 4	(NO)/(S1)
Contact 5	(Earth)
LED display	LED (green): Power / LED (yellow): (S1/S2)

Commercial data

country of origin	CZ
customs tariff number	85444290
minimum order quantity	1