

M8 male 90° with cable

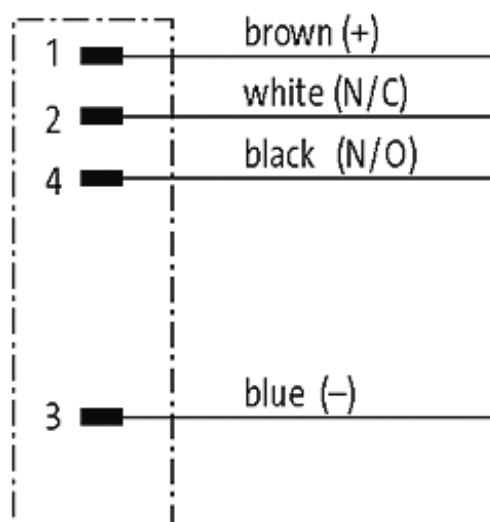
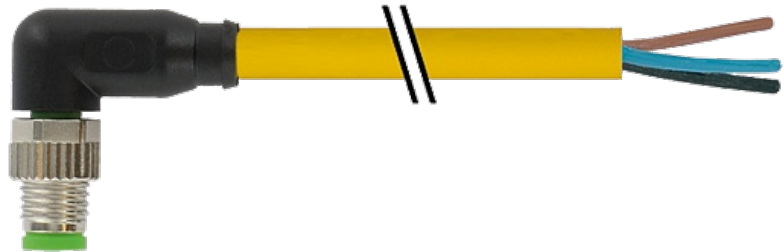
PVC 4x0.25 ye UL/CSA 3m

M8
Male 90°
4-pole

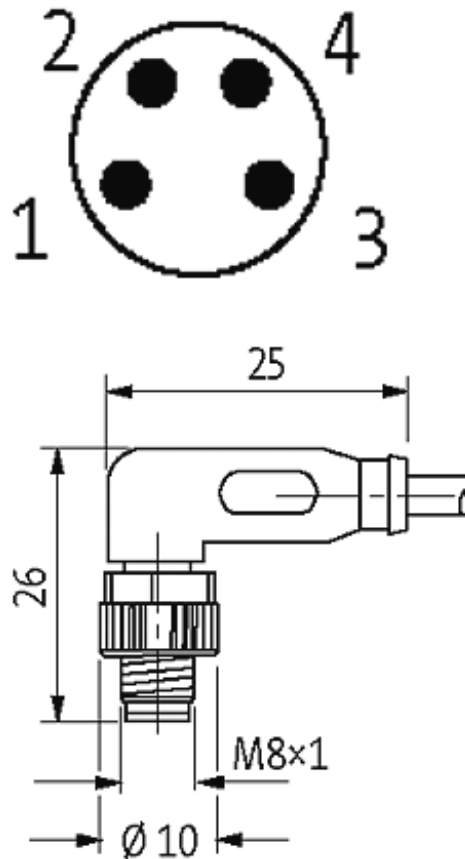
Plastic housings with good resistance against chemicals and oils. The resistance to aggressive media should be individually tested for your application. Further details on request. Further cable lengths on request.

[Link to Product](#)

Illustration



Male



Product may differ from Image

Approvals



* only for products with UL/CSA approved cable

Form

08031

Technical Data

| | |
|-------------------------------|--|
| Operating voltage | max. 30 V AC/DC |
| Operating current per contact | max. 4 A |
| Locking of ports | Screw thread M8 × 1 mm (recommended torque 0.4 Nm) self-securing |
| Protection | IP67 inserted and tightened (EN 60529) |

Cables

| | |
|-----------------------------|--------------------------|
| Cable number | 011 |
| No./diameter of wires | 4 × 0.25 mm ² |
| Wire isolation | PVC (br, wh, bl, bk) |
| Jacket Color | yellow |
| Shore hardness outer jacket | 85 ± 5A |
| Material (jacket) | PVC (UL/CSA) |
| Outer diameter | approx. 4.8 mm |
| Bend radius (fixed) | 5 × outer Ø |
| Bend radius (moving) | 10 × outer Ø |
| Temperature range (fixed) | -30...+80 °C |
| Temperature range (mobile) | -5...+80 °C |

General data

| | |
|-------------------|--|
| Temperature range | -25...+85 °C, depending on cable quality |
|-------------------|--|

Commercial data

| | |
|------------------------|----------|
| country of origin | DE |
| customs tariff number | 85444290 |
| minimum order quantity | 1 |