

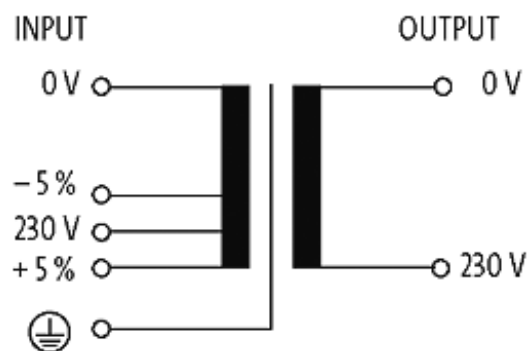
## MET 1-PHASE CONTROL AND ISOLATION TRANSFORMER

P: 500VA IN: 230VAC+/- 5% OUT: 230VAC

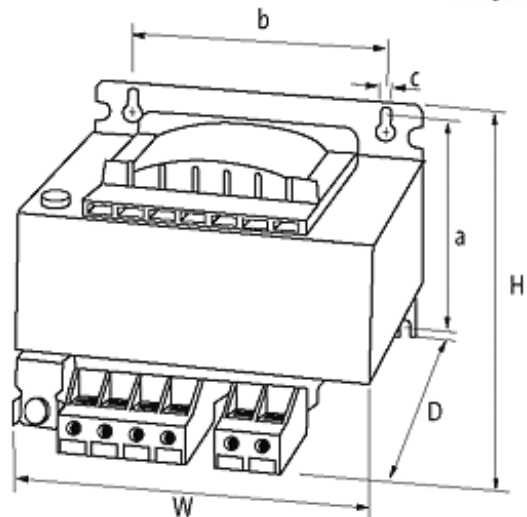
Single-phase - Control and Isolation Transformers  
500 VA  
Isolation class T 60/B

### [Link to Product](#)

#### Illustration



stay connected



Product may differ from Image

### Approvals



### Input

Input voltage	230 V AC $\pm 5\%$
Frequency	50...60 Hz
Short-circuit current	75.1 A (230 V AC)
Input current	2.3 A (230 V AC)
Inrush current	35.2 A (230 V AC)

### General data

Standards	(EN 61558-1), (EN 61558-2-4), (EN 62041 category 0)
Test isolation voltage	4 kV (prim./sec.)
Mounting method	Key-hole mounting
Dimensions H $\times$ W $\times$ D	112.6 $\times$ 150 $\times$ 146 mm
Fixing centers a $\times$ b $\times$ c	90 $\times$ 122 $\times$ 7 mm
Drill hole $\varnothing$	7 $\times$ 11 mm
Temperature range	-20...+60 °C, no condensation

### Output

Output voltage	230 V AC
----------------	----------

### Commercial data

country of origin	CZ
customs tariff number	85043180
minimum order quantity	1