

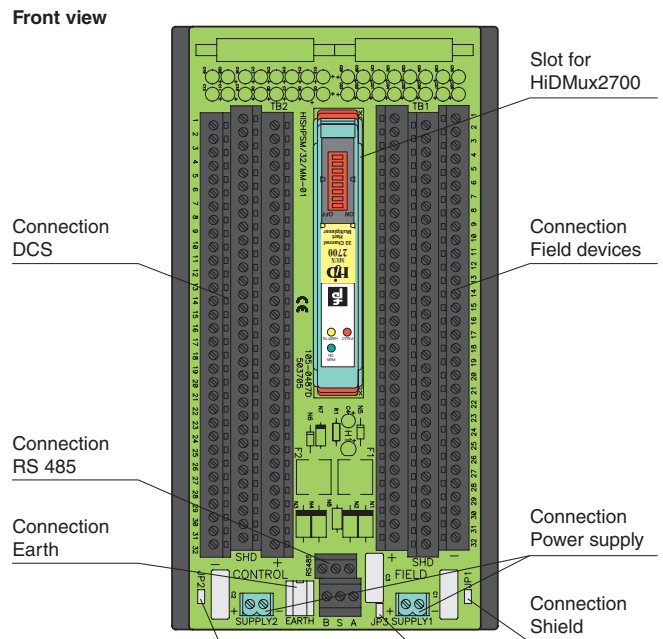
**Features**

- 32-channel
- 24 V DC supply
- Interface for serial or parallel wiring options
- Dual RS 485 connections
- Slot for HART Multiplexer

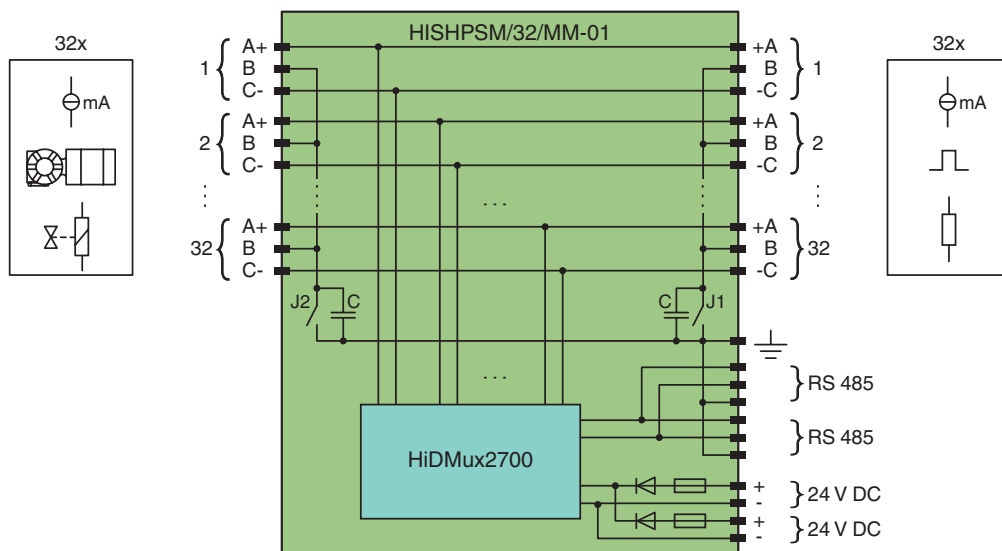
**Function**

This HART Termination Board has 32 terminal blocks to connect up to 32 HART field devices. It contains one slot to mount the 32-channel HART Multiplexer Master type HiDMux2700. The Termination Board can be used for general-purpose applications or in conjunction with intrinsic safety barriers for hazardous applications. It offers fused redundant power supply connections. RS 485 terminals are redundant and can be daisy chained.

**Assembly**



**Connection**



Release date 2015-02-12 20:28 Date of issue 2015-02-12 915207\_eng.xml

Refer to "General Notes Relating to Pepperl+Fuchs Product Information".

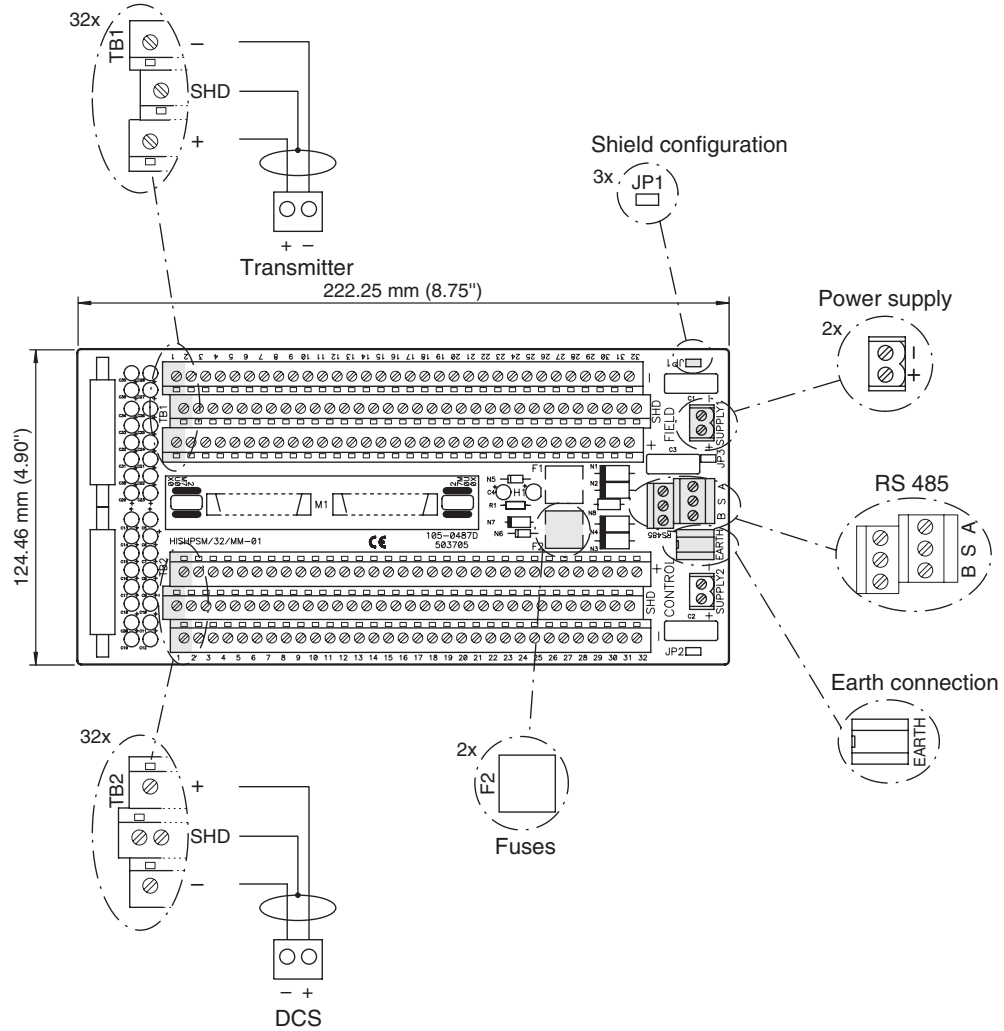
<b>Supply</b>		
Rated voltage	U <sub>n</sub>	20 ... 30 V DC
Fusing		3.15 A , 5 x 20 mm (0.2 x 0.8 in)
Power loss		0.7 W , with Multiplexer
Reverse polarity protection		yes
<b>HART signal channels (intrinsically safe)</b>		
HART signal channels		
Number of channels		32 unbalanced signal loops
<b>Redundancy</b>		
Supply		yes
<b>Electrical isolation</b>		
HART signal channels		30 V DC
<b>Ambient conditions</b>		
Ambient temperature		-20 ... 55 °C (-4 ... 131 °F)
Relative humidity		5 ... 90 %, non-condensing
<b>Mechanical specifications</b>		
Core cross-section		2.5 mm <sup>2</sup> (16 AWG)
Connection		field side: fixed screw terminals control side: fixed screw terminals RS 485 interface: removable screw terminals power: removable screw terminals
Mass		approx. 500 g
Dimensions		without HiDMux2700: 222 x 122 x 79 mm (8.7 x 4.8 x 3.1 in) with HiDMux2700: 222 x 122 x 208 mm (8.7 x 4.8 x 8.2 in)
Mounting		DIN rail mounting
<b>General information</b>		
Supplementary information		Statement of Conformity, Declaration of Conformity, Attestation of Conformity and instructions have to be observed where applicable. For information see <a href="http://www.pepperl-fuchs.com">www.pepperl-fuchs.com</a> .

Release date 2015-02-12 20:28 Date of issue 2015-02-12 915207\_eng.xml

**Versions**

HISHPSM/32/MM-01-C	coated version
HISHPSM/32/MM-01/MODV	special version for Dow Chemical

**Connection**



Release date 2015-02-12 20:28 Date of issue 2015-02-12 915207\_eng.xml

Refer to "General Notes Relating to Pepperl+Fuchs Product Information".

Pepperl+Fuchs Group  
www.pepperl-fuchs.com

USA: +1 330 486 0002  
pa-info@us.pepperl-fuchs.com

Germany: +49 621 776 2222  
pa-info@de.pepperl-fuchs.com

Singapore: +65 6779 9091  
pa-info@sg.pepperl-fuchs.com