



ACTUATOR HEAD FOR POSITION SWITCH 3SE51/52  
 ROLLER LEVER W. METAL LEVER AND PLASTIC  
 ROLLER 13MM

Product designation		actuator head for position switch
<b>Manufacturer article number</b>		
<ul style="list-style-type: none"> <li>of the supplied actuator head for position switches</li> </ul>		<a href="#">3SE5000-0AE10</a>

**General technical data:**

<b>Product function</b>		
<ul style="list-style-type: none"> <li>positive opening</li> </ul>		Yes
<b>Shock resistance</b>		30g / 11 ms
<b>Vibration resistance</b>		0.35 mm / 5g
<b>Mechanical service life (switching cycles)</b>		
<ul style="list-style-type: none"> <li>typical</li> </ul>		15 000 000
<b>Material of the enclosure of the switch head</b>		plastic
<b>Equipment marking</b>		
<ul style="list-style-type: none"> <li>acc. to DIN EN 61346-2</li> <li>acc. to DIN EN 81346-2</li> </ul>		T T
<b>Active principle</b>		mechanical
Explosion protection category for dust		none
Explosion protection category for gas		none
Minimum actuating force in activation direction	N	10

**Enclosure:**

<b>Coating of the enclosure</b>		Other types
---------------------------------	--	-------------

**Drive Head:**

<b>Design of the operating mechanism</b>		metal lever, plastic roller
<b>Standard-compliant actuator head</b>		EN 50047, design E

Shape of the switch head		roller
Outer diameter of the switch head	mm	13

#### Communication/ Protocol:

Design of the interface		without
-------------------------	--	---------





#### Ambient conditions:

<b>Ambient temperature</b>		
• during operation	°C	-25 ... +85
• during storage	°C	-40 ... +90

#### Installation/ mounting/ dimensions:

mounting position		any
Mounting type		lockable plug-in fixing

#### Certificates/ approvals:

General Product Approval	Declaration of Conformity	Test Certificates	other
 CSA	 UL	 EAC	 EG-Konf.
		<a href="#">Special Test Certificate</a>	<a href="#">Confirmation</a>

#### other

[Vibration Test Certificates](#)

#### Further information

##### Information- and Downloadcenter (Catalogs, Brochures,...)

<http://www.siemens.com/industrial-controls/catalogs>

##### Industry Mall (Online ordering system)

<http://www.siemens.com/industrymall>

##### Cax online generator

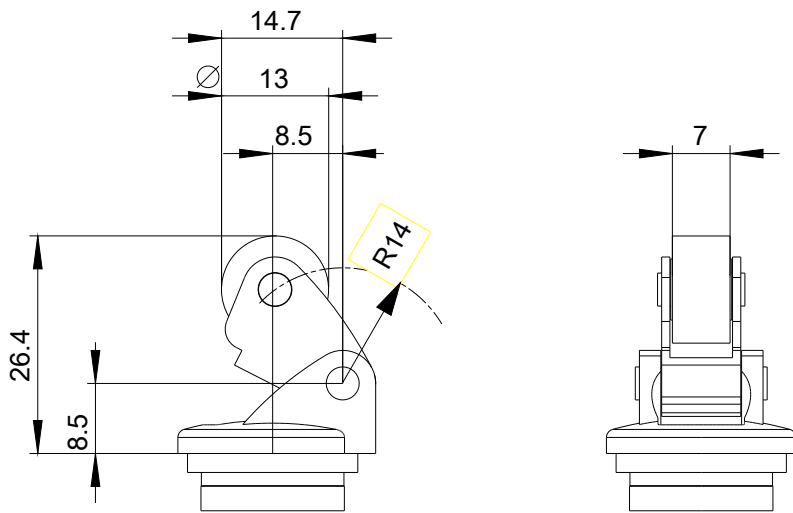
<http://support.automation.siemens.com/WW/CAXorder/default.aspx?lang=en&mlfb=3SE50000AE10>

##### Service&Support (Manuals, Certificates, Characteristics, FAQs,...)

<http://support.automation.siemens.com/WW/view/en/3SE50000AE10/all>

##### Image database (product images, 2D dimension drawings, 3D models, device circuit diagrams, EPLAN macros, ...)

[http://www.automation.siemens.com/bilddb/cax\\_de.aspx?mlfb=3SE50000AE10&lang=en](http://www.automation.siemens.com/bilddb/cax_de.aspx?mlfb=3SE50000AE10&lang=en)



last modified:

16.03.2015