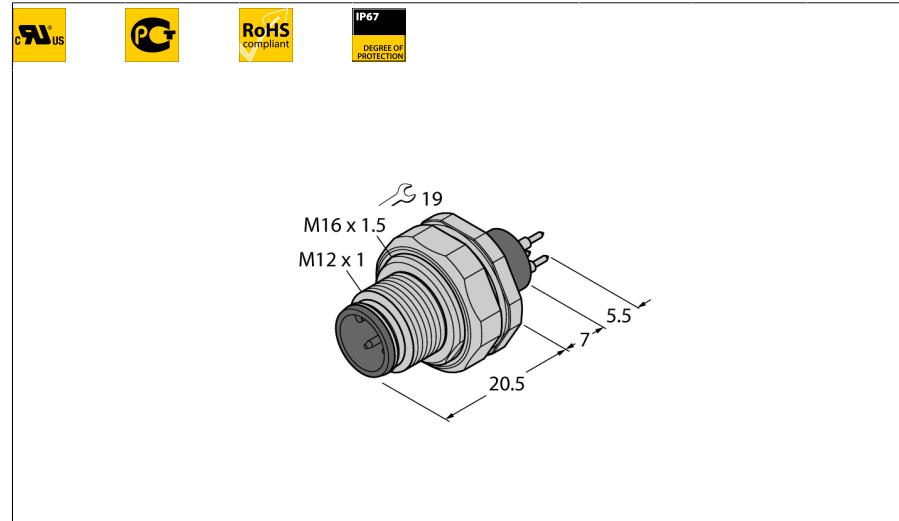
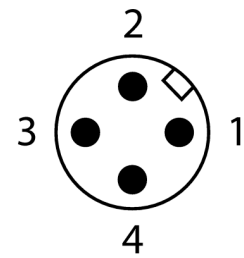


**Accessories for actuator/sensor cables
male flange with print contacts, rear-mounted
EC-FSFD4-P/16**



- M12 ♂ 1 male receptacle
- Protection class IP67
- Rear-mounted
- Connected via print contacts

Pin Assignment



Type designation	EC-FSFD4-P/16
Ident no.	6934584
Connector A side	
Number of pins	Male receptacle, M12 ♂ 1, Straight 4
Contacts	Brass, CuZn, Gold-plated
Contact carriers	Plastic, PA GF, Black
Flange housing	Brass, CuZn, nickel-plated
Screw-in thread seal	plastic, NBR
Screw-in thread	M16x1.5
Connection mode	Print contact
Mechanical lifespan	> 100 Mating cycles
Pollution degree	3
Protection class	IP67, (screwed together)
Electrical features at +20 °C	
Rated voltage	250 V
Current	4 A
Insulation resistance	≥ 10 ⁸ Ω
Forward resistance	≤ 5 mΩ
Mechanical and chemical properties	
Ambient temperature	
Stationary	-30...+90°C

