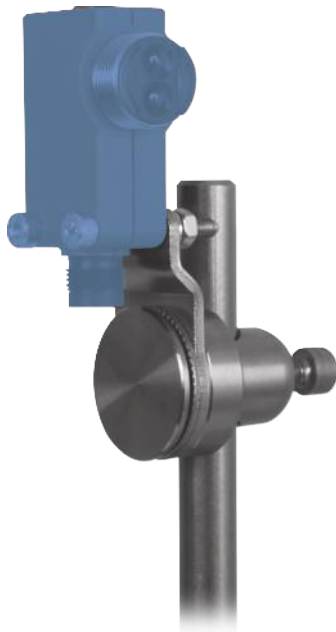


# Mounting System for 56,5 × 26 × 16 mm (M)

## WRS12AL

Part Number



### Technical Data

Mechanical Data	
Material Mounting Head	Aluminum
Material Mounting Plate	Stainless Steel V2A
for Round Profile Diameter	8...12,5 mm
Packaging unit	1 Piece
Mounting Number	<b>370</b>
Suitable Mounting Technology No.	<b>550</b>

- Aluminum
- Flexible alignment possibilities
- For 56,5 × 26 × 16 mm
- Simple installation

The mounting system allows to adjust sensors and reflectors and to turn them around 360 degrees in horizontal and vertical direction.

