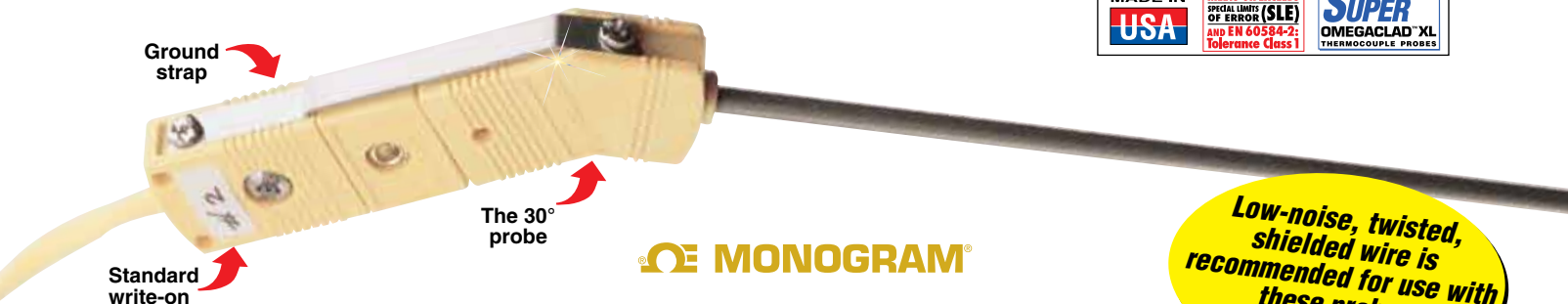
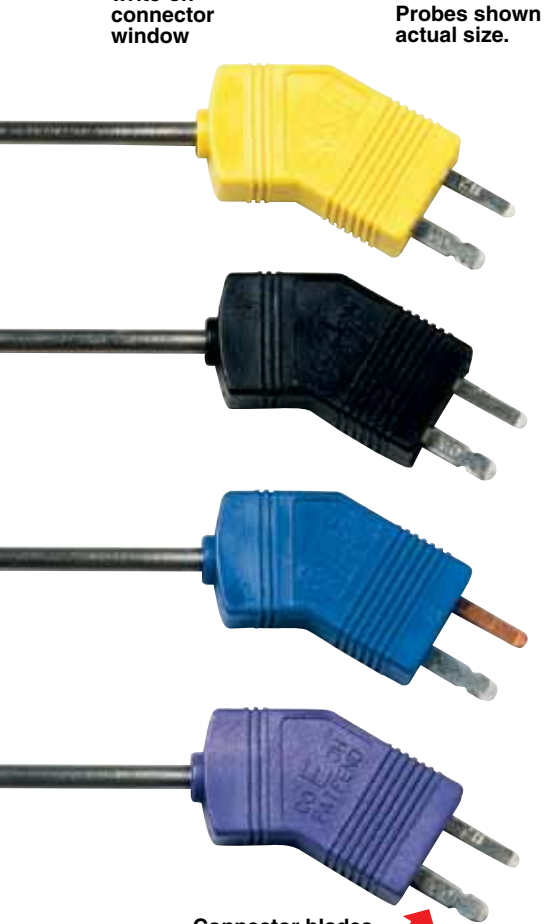


# Low Noise Thermocouple Probes

## with Miniature Size Connectors in Both Metric and Standard Dimensions



*Low-noise, twisted, shielded wire is recommended for use with these probes. visit [omega.com](http://omega.com)*



- ✓ Ground Strap Connection Provides Protection Against Electrical Noise
- ✓ Write-on Area for Easy Identification on Female Connector
- ✓ Compatible with Standard Style Probes and Connectors
- ✓ Mating Connector, Cable Clamp, Write-On Windows and Ground Strap Included
- ✓ 304 SS and Inconel® Sheath
- ✓ Glass Filled Nylon Connector Body Rated -29 to 220°C (-20 to 425°F) or LCP High Temperature Connector Body Available Rated -29 to 260°C (-20 to 500°F)
- ✓ Cal-5 Available

The OMEGA® low noise thermocouple probes and connectors maintain an electrical connection from the sheath of the probe, through the connectors, all the way to your instrumentation. This system assures high accuracy measurements, providing protection against electrical noise. The external strap maintains the electrical connection of the ground wire, and also strengthens the mechanical connection between the two connectors. The female connector features a handy write-on area, for easy identification.

### Extra Replacement Write-On Windows

| Model No. | Description               |
|-----------|---------------------------|
| WCP-S     | Female connector face     |
| WCP-GMQ   | Miniature size probe side |
| WCP-GMP   | GMP connector side        |

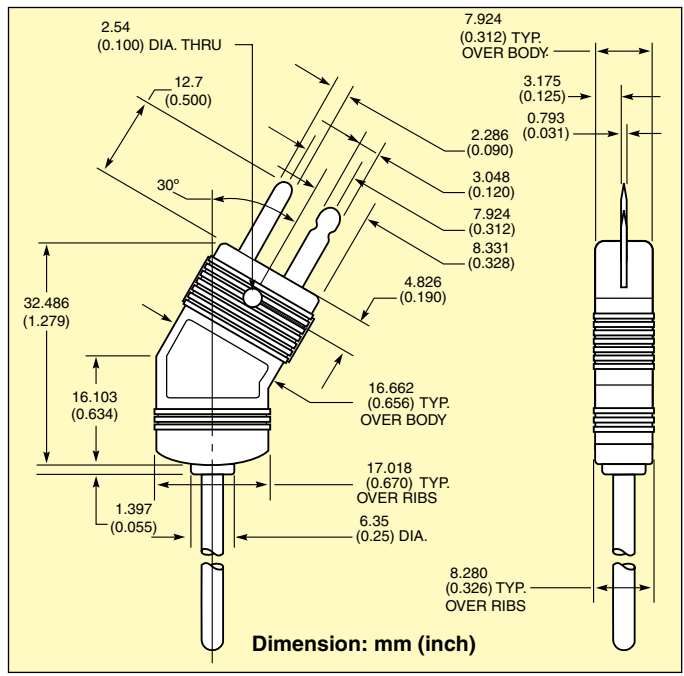
Connector blades are stamped with thermocouple alloy

| Discount Schedule |               |
|-------------------|---------------|
| 1-10 .....        | Net           |
| 11-24 .....       | 10%           |
| 25-49 .....       | 20%           |
| 50 and up.....    | Consult Sales |



Ground strap

Each probe includes a mating connector, write-on window and protective ground strap. Extra straps, Model GS-GMP-10.



Both **STANDARD** and **METRIC** dimensions with 304 SS and Inconel Sheath; 150 & 300 mm (6 & 12") Lengths!



High Temperature LCP (260°C) Available



✓ **Mating Connector, Cable Clamp, Write-On Windows and Ground Strap Included Free**

**The Foolproof Connector!**

Interior and side screws have combination heads, so you can use either a flathead or Phillips screwdriver. The cover screw can even be turned with a dime! And, it's captive, so it won't fall out.

**Metric Dimensions**

**To Order Visit [omega.com/gjmqss](http://omega.com/gjmqss) for Pricing and Details**

| Alloy/ANSI Color Code                                    | Sheath Dia. mm    | Model No. 150 mm Length  | Model No. 300 mm Length  |
|--|-------------------|--|--|
| <b>IRON-CONSTANTAN</b><br>304 SS<br>Sheath <b>J</b>      | 1.0<br>1.5<br>3.0 | GJMQSS-M100(*)-150<br>GJMQSS-M150(*)-150<br>GJMQSS-M300(*)-150 | GJMQSS-M100(*)-300<br>GJMQSS-M150(*)-300<br>GJMQSS-M300(*)-300 |
| <b>CHROMEGA®-ALOMEGA®</b><br>304 SS<br>Sheath <b>K</b>   | 1.0<br>1.5<br>3.0 | GKMQSS-M100(*)-150<br>GKMQSS-M150(*)-150<br>GKMQSS-M300(*)-150 | GKMQSS-M100(*)-300<br>GKMQSS-M150(*)-300<br>GKMQSS-M300(*)-300 |
| <b>CHROMEGA®-CONSTANTAN</b><br>304 SS<br>Sheath <b>E</b> | 1.0<br>1.5<br>3.0 | GEMQSS-M100(*)-150<br>GEMQSS-M150(*)-150<br>GEMQSS-M300(*)-150 | GEMQSS-M100(*)-300<br>GEMQSS-M150(*)-300<br>GEMQSS-M300(*)-300 |
| <b>COPPER-CONSTANTAN</b><br>304 SS<br>Sheath <b>T</b>    | 1.0<br>1.5<br>3.0 | GTMQSS-M100(*)-150<br>GTMQSS-M150(*)-150<br>GTMQSS-M300(*)-150 | GTMQSS-M100(*)-300<br>GTMQSS-M150(*)-300<br>GTMQSS-M300(*)-300 |

\* Specify junction type: "E" (Exposed), "G" (Grounded), or "U" (Ungrounded). Extra ground straps, **GS-GMQ-10**, for additional cost.  
 † Other lengths available, consult Sales Department. **To Order other Sheaths**, change "SS" in model number to "IN" for Inconel, no additional charge; for high temperature LCP (liquid crystal polymer) connector body (260°C max), add "H" to the beginning of the model number for additional cost.  
**Ordering Example: GKMQSS-M150U-150**, in **Metric** dimensions, miniature quick disconnect probe Type K, stainless steel sheath, 1.5 mm OD, 150 mm long, ungrounded junction.

**Standard Dimensions**

**To Order Visit [omega.com/gjmqss](http://omega.com/gjmqss) for Pricing and Details**

| Alloy/ANSI Color Code                                    | Sheath Dia. Inch        | Model No. 6" Length                                   | Model No. 12" Length                                     |
|--|-------------------------|---|--|
| <b>IRON-CONSTANTAN</b><br>304 SS<br>Sheath <b>J</b>      | 0.040<br>0.062<br>0.125 | GJMQSS-040(*)-6<br>GJMQSS-062(*)-6<br>GJMQSS-125(*)-6 | GJMQSS-040(*)-12<br>GJMQSS-062(*)-12<br>GJMQSS-125(*)-12 |
| <b>CHROMEGA®-ALOMEGA®</b><br>304 SS<br>Sheath <b>K</b>   | 0.040<br>0.062<br>0.125 | GKMQSS-040(*)-6<br>GKMQSS-062(*)-6<br>GKMQSS-125(*)-6 | GKMQSS-040(*)-12<br>GKMQSS-062(*)-12<br>GKMQSS-125(*)-12 |
| <b>CHROMEGA®-CONSTANTAN</b><br>304 SS<br>Sheath <b>E</b> | 0.040<br>0.062<br>0.125 | GEMQSS-040(*)-6<br>GEMQSS-062(*)-6<br>GEMQSS-125(*)-6 | GEMQSS-040(*)-12<br>GEMQSS-062(*)-12<br>GEMQSS-125(*)-12 |
| <b>COPPER-CONSTANTAN</b><br>304 SS<br>Sheath <b>T</b>    | 0.040<br>0.062<br>0.125 | GTMQSS-040(*)-6<br>GTMQSS-062(*)-6<br>GTMQSS-125(*)-6 | GTMQSS-040(*)-12<br>GTMQSS-062(*)-12<br>GTMQSS-125(*)-12 |

\* Specify junction type: "E" (Exposed), "G" (Grounded), or "U" (Ungrounded). Extra ground straps, **GS-GMQ-10**.  
 † Other lengths available, consult Sales Department. **To Order other Sheaths**, change "SS" in model number to "IN" for Inconel, no additional charge; for high temperature LCP (liquid crystal polymer) connector body (260°C max), add "H" to the beginning of the model number for additional cost. Straight connectors are also available, please consult custom engineering.  
**Ordering Example: GKMQSS-062U-6**, in **Standard** dimensions, miniature quick disconnect probe Type K, stainless steel sheath, 0.062" OD, 6" long, ungrounded junction.

# Low Noise Thermocouple Probes

## With Standard Size Connectors

### Metric and Standard Dimensions

Available as



Each probe includes protective ground strap, and locking clip. Extra straps, Model GS-GST-10

For twisted shielded wire please see the technical reference section online.

**High Temperature LCP (260°C) Available**

- ✓ Glass Filled Nylon Connector Body Rated 220°C (425°F) or LCP High Temperature Connector Body Available Rated 260°C (500°F)
- ✓ Connector Body Rated to 220°C (425°F)
- ✓ Ground Strap Connection Provides Protection Against Electrical Noise
- ✓ Write-On Area for Easy Identification
- ✓ Compatible with Standard Style Probes and Connectors
- ✓ Mating Connector, Cable Clamp, Write-On Windows Ground Strap, and Locking Clip Included!
- ✓ 304 SS and Inconel® Sheath Available
- ✓ Cal-5 Available

## Ω MONOGRAM®

The OMEGA® low noise thermocouple probes and connectors maintain an electrical connection from the sheath of the probe, through the connectors, all the way to your instrumentation. This system assures high accuracy measurements, providing protection against electrical noise. The external strap maintains the electrical connection of the ground wire, and also strengthens the mechanical connection between the two connectors. The female connector features a handy write-on area, for easy identification.

### Extra Replacement Write-On Windows

| Model No. | Description          |
|-----------|----------------------|
| WCP-L     | GST connector face   |
| WCP-GST   | Connector/probe side |

### Discount Schedule

|                   |               |
|-------------------|---------------|
| 1-10 Units .....  | Net           |
| 11-24 Units ..... | 10%           |
| 25-49 Units ..... | 20%           |
| 50 and Up .....   | Consult Sales |

The write-on connector is a U.S. patented design of OMEGA Engineering, Inc.

Probes shown actual size.

**Please visit [omega.com](http://omega.com) for compression fittings**

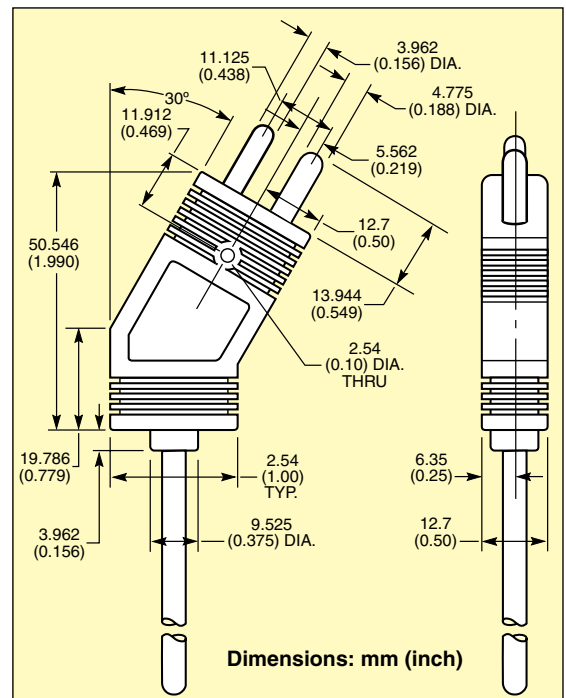


Mating connector, clamps and locking clip provided free with all low noise probes.

For applications not requiring the external ground strap, plastic write-on windows are included with each probe and connector to provide additional write-on areas. Note: Windows cannot be used concurrently with ground straps.

To order low noise thermocouple probes with higher temperature LCP (liquid crystal polymer) rated to 260°C (500°F), add "H" to the beginning of the model number for additional cost.

**Ordering Example:** HGKQIN-180-12, low noise thermocouple probe with standard size high temperature LCP connector body, Type K, Inconel sheath, 1/8" OD, ungrounded junction, 12" length.





# Low Noise Standard Size Thermocouple Probes

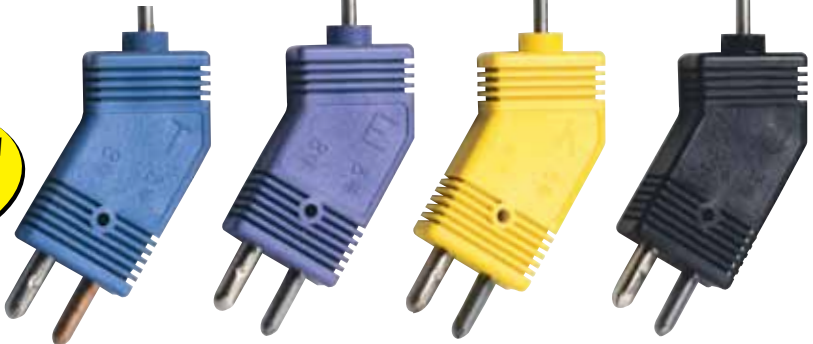
## Standard and Metric Dimensions

Probes shown smaller than actual size.

Available as

|                    |   |   |
|--------------------|---|---|
| <b>MADE IN USA</b> | <b>MEETS OR EXCEEDS SPECIAL LIMITS OF ERROR (SLE) AND EN 60584-2: Tolerance Class 1</b> | <b>SUPER OMEGACLAD<sup>™</sup> XL THERMOCOUPLE PROBES</b> |
|--------------------|---|---|

**IN STOCK!**  
Probes with 304 SS and Inconel Sheaths are stocked for FAST Delivery!



Extra Replacement Write-On Windows

| Model No. | Description          |
|-----------|----------------------|
| WCP-L     | GST connector face   |
| WCP-GST   | Connector/probe side |

Each probe includes a protective ground strap, locking clip and female connector. Extra straps, GS-GST-10.

### Standard Dimensions - Quick Disconnect Probes with Standard Size Connectors

**To Order Visit [omega.com/gjmqs](http://omega.com/gjmqs) for Pricing and Details**

| Alloy/ANSI Color Code   | Sheath Dia. in. | Model No. 12" Length | Model No. 18" Length | Model No. 24" Length |
|---|-----------------|----------------------|----------------------|----------------------|
| IRON-CONSTANTAN<br>304 SS<br>Sheath<br><b>J</b>                             | 1/16            | GJQSS-116(*)-12      | GJQSS-116(*)-18      | GJQSS-116(*)-24      |
|   | 1/8             | GJQSS-18(*)-12       | GJQSS-18(*)-18       | GJQSS-18(*)-24       |
|   | 3/16            | GJQSS-316(*)-12      | GJQSS-316(*)-18      | GJQSS-316(*)-24      |
|   | 1/4             | GJQSS-14(*)-12       | GJQSS-14(*)-18       | GJQSS-14(*)-24       |
| CHROMEGA <sup>®</sup> -ALOMEGA <sup>®</sup><br>304 SS<br>Sheath<br><b>K</b> | 1/16            | GKQSS-116(*)-12      | GKQSS-116(*)-18      | GKQSS-116(*)-24      |
|   | 1/8             | GKQSS-18(*)-12       | GKQSS-18(*)-18       | GKQSS-18(*)-24       |
|   | 3/16            | GKQSS-316(*)-12      | GKQSS-316(*)-18      | GKQSS-316(*)-24      |
|   | 1/4             | GKQSS-14(*)-12       | GKQSS-14(*)-18       | GKQSS-14(*)-24       |
| CHROMEGA <sup>®</sup> -CONSTANTAN<br>304 SS<br>Sheath<br><b>E</b>           | 1/16            | GEQSS-116(*)-12      | GEQSS-116(*)-18      | GEQSS-116(*)-24      |
|   | 1/8             | GEQSS-18(*)-12       | GEQSS-18(*)-18       | GEQSS-18(*)-24       |
|   | 3/16            | GEQSS-316(*)-12      | GEQSS-316(*)-18      | GEQSS-316(*)-24      |
|   | 1/4             | GEQSS-14(*)-12       | GEQSS-14(*)-18       | GEQSS-14(*)-24       |
| COPPER-CONSTANTAN<br>304 SS<br>Sheath<br><b>T</b>                           | 1/16            | GTQSS-116(*)-12      | GTQSS-116(*)-18      | GTQSS-116(*)-24      |
|   | 1/8             | GTQSS-18(*)-12       | GTQSS-18(*)-18       | GTQSS-18(*)-24       |
|   | 3/16            | GTQSS-316(*)-12      | GTQSS-316(*)-18      | GTQSS-316(*)-24      |
|   | 1/4             | GTQSS-14(*)-12       | GTQSS-14(*)-18       | GTQSS-14(*)-24       |

### Metric Models - Quick Disconnect Probes with Standard Size Connectors

| Alloy/ANSI Color Code   | Sheath Dia. mm | Model No. 300 mm Length | Model No. 450 mm Length | Model No. 600 mm Length |
|---|----------------|-------------------------|-------------------------|-------------------------|
| IRON-CONSTANTAN<br>304 SS<br>Sheath<br><b>J</b>                             | 1.5            | GJQSS-M15(*)-300        | GJQSS-M15(*)-450        | GJQSS-M15(*)-600        |
|   | 3.0            | GJQSS-M30(*)-300        | GJQSS-M30(*)-450        | GJQSS-M30(*)-600        |
|   | 4.5            | GJQSS-M45(*)-300        | GJQSS-M45(*)-450        | GJQSS-M45(*)-600        |
|   | 6.0            | GJQSS-M60(*)-300        | GJQSS-M60(*)-450        | GJQSS-M60(*)-600        |
| CHROMEGA <sup>®</sup> -ALOMEGA <sup>®</sup><br>304 SS<br>Sheath<br><b>K</b> | 1.5            | GKQSS-M15(*)-300        | GKQSS-M15(*)-450        | GKQSS-M15(*)-600        |
|   | 3.0            | GKQSS-M30(*)-300        | GKQSS-M30(*)-450        | GKQSS-M30(*)-600        |
|   | 4.5            | GKQSS-M45(*)-300        | GKQSS-M45(*)-450        | GKQSS-M45(*)-600        |
|   | 6.0            | GKQSS-M60(*)-300        | GKQSS-M60(*)-450        | GKQSS-M60(*)-600        |
| CHROMEGA <sup>®</sup> -CONSTANTAN<br>304 SS<br>Sheath<br><b>E</b>           | 1.5            | GEQSS-M15(*)-300        | GEQSS-M15(*)-450        | GEQSS-M15(*)-600        |
|   | 3.0            | GEQSS-M30(*)-300        | GEQSS-M30(*)-450        | GEQSS-M30(*)-600        |
|   | 4.5            | GEQSS-M45(*)-300        | GEQSS-M45(*)-450        | GEQSS-M45(*)-600        |
|   | 6.0            | GEQSS-M60(*)-300        | GEQSS-M60(*)-450        | GEQSS-M60(*)-600        |
| COPPER-CONSTANTAN<br>304 SS<br>Sheath<br><b>T</b>                           | 1.5            | GTQSS-M15(*)-300        | GTQSS-M15(*)-450        | GTQSS-M15(*)-600        |
|   | 3.0            | GTQSS-M30(*)-300        | GTQSS-M30(*)-450        | GTQSS-M30(*)-600        |
|   | 4.5            | GTQSS-M45(*)-300        | GTQSS-M45(*)-450        | GTQSS-M45(*)-600        |
|   | 6.0            | GTQSS-M60(*)-300        | GTQSS-M60(*)-450        | GTQSS-M60(*)-600        |

Comes with mating connector, cable clamp, ground strap and locking clip. Extra ground straps, GS-GST-10, for additional costs.  
 \* Specify junction type: "G" (Grounded), "E" (Exposed), or "U" (Ungrounded).  
 † Other lengths available, consult Sales Department. To Order other Sheaths, change "SS" in part no. to "IN" for Inconel, no additional charge; for high temperature LCP (liquid crystal polymer) connector body, add "H" to beginning of model number for additional cost.  
**Ordering Example: GKQSS-M15U-300**, quick disconnect probe, Type K, 304SS sheath, 1.5 mm OD, ungrounded junction, 300 mm length.