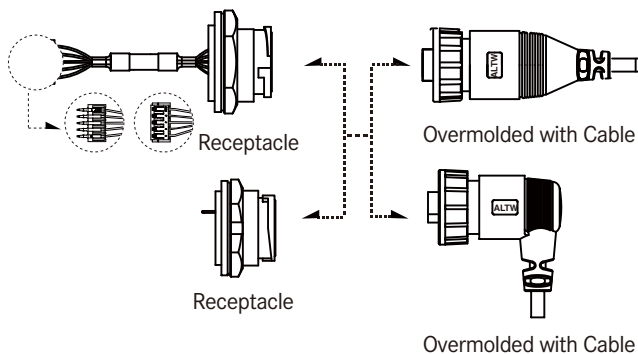


USB Connector

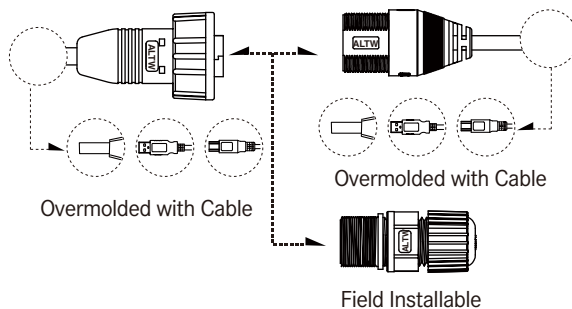


Range Overview

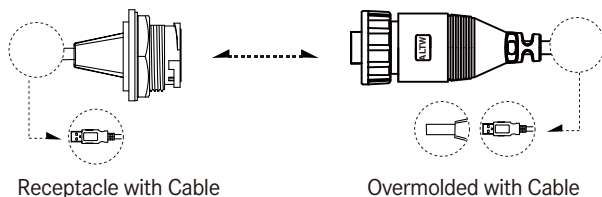
Receptacle to Overmolded with Cable



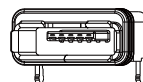
In Line



Receptacle with Cable to Overmolded with Cable



Micro USB



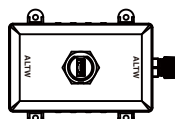
Accessories



Waterproof Cap
See page 21-16



Waterproof Cap
See page 21-16



Box
See page 21-21

Specification | USB

Identifications	USB 3.0 A Type USB 2.0 A Type, USB 2.0 B Type Mini USB 2.0 B Type
Description	Receptacle Receptacle With Cable Overmolded with Cable Field Installable
Current Rating / Data	USB 2.0: 1.5A ; USB 3.0: 1A
Material	Contacts: Copper Alloy, Gold Plated Connector Body (Housing) : PBT UL94V-0
Waterproof Rating	IP67~68
Temperature Range	Receptacle: Nylon+GF: -40°C~105°C M-PPE: -40°C~105°C ABS: -20°C~80°C Receptacle with cable: Nylon+GF: -20°C~105°C ABS: -20°C~80°C Overmolded with Cable: -20°C~80°C Field Installable: -20°C~80°C
Contact Resistance	≤ 50mΩ
Insulation Resistance	≥ 1000MΩ at DC100V
Breakdown Voltage	≥ AC500V / 1 minute
More to know	USB 2.0: Standard Cable Length: 01-05M USB 3.0: Standard Cable Length: 01-03M Mini USB: Standard Cable Length: 01-04M

【Note】 Design and specification are subject to change without notice.

Ordering Information | USB

	1	2	3	4	5	6	7	8	9	10
Specification										
(UA) USB A Type		(NUB) Mini USB B								
(UB) USB B Type										
Data Transfer Rate										
(20) 2.0		(30) 3.0								
Connector Body (Style)										
<u>> For Receptacle</u>			<u>> For Overmolded with Cable</u>							
(P) Front Fastened		(A) With Strain Relief								
<u>> For Field installable</u>			<u>(B) Without Strain Relief</u>							
(B) Without Strain Relief										
Connector (Housing) Gender										
(M) Male		(F) Female								
Contact Gender										
(M) Male (Plug)		(F) Female (Jack)								
Assemble Style										
<u>> For Receptacle</u>			<u>> For Overmolded with Cable</u>							
(P) 180° PCB Type		(M) Overmolded with Cable								
(R) 90° PCB Type		<u>> For Field Installable</u>								
(J) Jack		(A) Field installable (Solder)								
Mating Style										
(S) Screw Thread		(L) 2 Points Lock Bayonet (Nut OD: 28.5mm)								
(N) 2 Points Lock Bayonet (Nut OD: 25.4mm)										
Backshell										
<u>> For Receptacle</u>			<u>> For Overmolded with Cable</u>				<u>> For Field Installable</u>			
(C) Circular		(L) Straight				(L) Straight				
(S) Square		(R) Right Angle								
Waterproof Rating										
(7) IP 67										
(8) IP 68										

More Information	
<u>> For Receptacle</u>	<u>> For Overmolded with Cable</u>
(001) Without Cable	(□)+(■) : Cable Type + Cable Length
(002) With Cable (Harness (50mm))	EX. (A01) = USB 2.0 Cable + 1M
	<u>(□) : Cable Type</u> <u>(■) : Cable Length</u>
(A) USB 2.0 Cable	USB2.0 :From 1M to 5M
(B) USB 3.0 Cable	USB3.0 :From 1M to 3M
	Mini USB2.0: From 1M to 4M
	EX. (01) = 1M

Ordering Information | USB | Double-ended

ALTW waterproof connector to ALTW waterproof connector

ALTW waterproof connector to Standard USB connector (None Waterproof)

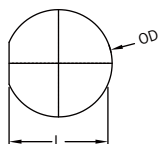
	1	2	3	4	5	6	7	8	9
Specification									
(UA) USB A Type									
(UB) USB B Type									
Data Transfer Rate									
(20) 2.0									
(30) 3.0									
Connector Body (Style)									
> For Receptacle									
(P) Front Fastened									
> For Overmolded with Cable									
(A) With Strain Relief									
(B) Without Strain Relief									
Connector (Housing) Gender									
(M) Male									
(F) Female									
Contact Gender									
(M) Male (Plug)									
(F) Female (Jack)									
Mating Style									
(S) Screw Thread									
(L) 2 Points Lock Bayonet (Nut OD: 28.5mm)									
Non-Waterproof (2ne End)									
(A) USB2.0 A Type (Plug)									
(D) USB3.0 A Type (Plug)									
(B) USB2.0 B Type (Plug)									
Waterproof Rating									
(6) IP 66									
(7) IP 67									
(8) IP 68									
More Information									
> For Receptacle with Cable									
(□)+(■) : Cable Type + Cable Length									
EX. (BX15) = USB 3.0 Cable + 150mm									
(□) : Cable Type									
(B) USB 3.0 Cable									
(■) : Cable Length									
USB3.0 :From 150mm to 300mm									
EX. (15) = 150mm									
> For Overmolded with Cable									
(□)+(■) : Cable Type + Cable Length									
EX. (A01) = USB 2.0 Cable + 1M									
(□) : Cable Type									
(A) USB 2.0 Cable									
(B) USB 3.0 Cable									
(■) : Cable Length									
USB2.0 :From 1M to 5M									
USB3.0 :From 1M to 3M									
EX. (01) = 1M									

【Note】 Design and specification are subject to change without notice.

Physical Dimension | USB

Receptacle

Panel Cut-Out



Type		Connector Gender (Housing)	L		OD	
			Male			
USB2.0	Type A	Screw Thread	19.4		20.8	
		2 Points Lock Bayonet	23.6		25.6	
	Type B	Screw Thread	19.4		20.8	
		2 Points Lock Bayonet	23.6		25.6	
USB3.0	Type A	Screw Thread	19.4		20.8	
		2 Points Lock Bayonet	23.6		25.6	
Mini USB	-	Screw Thread	14.8		15.6	

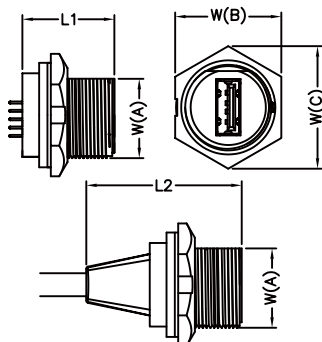
* Maximum Panel Thickness: USB: 4mm | Mini USB: 2.5mm

Unit: mm

* USB: Screw | Middle Size (13/16"-28 UNS)
2 Points Lock Bayonet | Large Size (1"20 UNEF)

* Mini USB: Screw | Standard Size (5/8"-27 UNS)

Connector Dimension



Receptacle with Cable

Type		Connector Gender (Housing)	W(A)	W(B)	W(C)	L1	L2
			Male				
USB2.0	Type A	Screw Thread	19.0	25.4	29.3	22.0	-
		2 Points Lock Bayonet	23.2	28.5	32.9	20.3	-
	Type B	Screw Thread	19.0	25.4	29.3	22.0	-
		2 Points Lock Bayonet	23.2	28.5	32.9	20.3	-
USB3.0	Type A	Screw Thread	19.0	25.4	29.3	-	37.2
		2 Points Lock Bayonet	23.2	28.5	32.9	-	37.5
Mini USB	-	Screw Thread	14.5	20.6	23.5	15.0	-

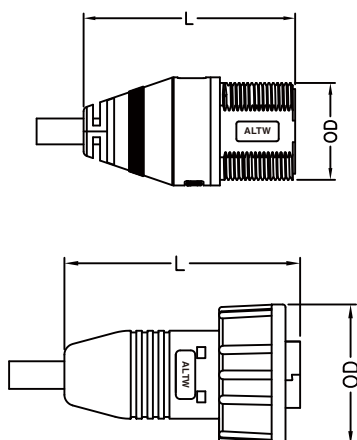
* USB: Screw | Middle Size (13/16"-28 UNS)

Unit: mm

2 Points Lock Bayonet | Large Size (1"20 UNEF)

*Mini USB: Screw | Standard Size (5/8"-27 UNS)

Overmolded with Cable



Type		Connector Gender (Housing)	L		OD	
			Female	Male	Female	Male
USB2.0	Type A	Screw Thread	42.6	45.0	25.4	20.6
		2 Points Lock Bayonet	73.3	-	28.5	-
	Type B	Screw Thread	42.6	45.0	25.4	20.6
		2 Points Lock Bayonet	73.3	-	28.5	-
USB3.0	Type A	Screw Thread	42.6	45.0	42.6	20.6
		2 Points Lock Bayonet	75.0	-	28.5	-
Mini USB	-	Screw Thread	42.6	45.0	20.0	15.45

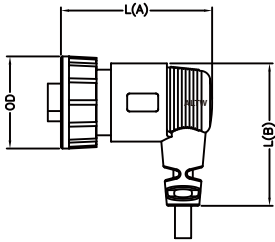
* USB: Screw | Middle Size (13/16"-28 UNS)

Unit: mm

2 Points Lock Bayonet | Large Size (1"20 UNEF)

*Mini USB: Screw | Standard Size (5/8"-27 UNS)

➤ Overmolded with Cable

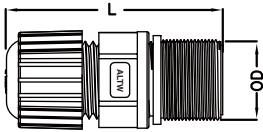


Type	Connector Gender (Housing)	L(A)		L(B)		OD		
		Female	Male	Female	Male	Female	Male	
USB 2.0	Type A	Screw Thread	-	-	-	-	-	-
		2 Points Lock Bayonet	46.8	-	44.1	-	28.5	-
	Type B	Screw Thread	-	-	-	-	-	-
		2 Points Lock Bayonet	46.8	-	44.1	-	28.5	-

* USB: Screw I Middle Size (13/16"-28 UNS)
2 Points Lock Bayonet I Large Size (1"20 UNEF)

Unit: mm

➤ Field Installable



Type	Connector Gender (Housing)	L		OD		
		Female	Male	Female	Male	
USB 2.0	Type A	Screw Thread	-	56.0	-	20.6
		2 Points Lock Bayonet	-	-	-	-
	Type B	Screw Thread	-	56.0	-	20.6
		2 Points Lock Bayonet	-	-	-	-
Mini USB	-	Screw Thread	-	45.0	-	15.45

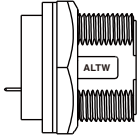
* USB: Screw I Middle Size (13/16"-28 UNS)
2 Points Lock Bayonet I Large Size (1"20 UNEF)

*Mini USB: Screw I Standard Size (5/8"-27 UNS)

Unit: mm

Product Features | USB

Receptacle



Backshell 8



Circular (C)

Mating Style 7



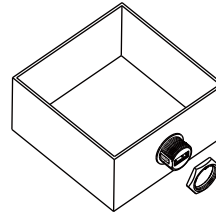
Screw Thread (S)



2 Points Lock Bayonet (L)
(Nut OD: 28.5mm)

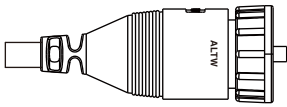
2 Points Lock Bayonet (N)
(Nut OD: 25.4mm)

Connector Body (Style) 3



Front Fastened (P)

Overmolded with Cable



Backshell 8



Straight (L)



Right Angle (R)

Mating Style 7



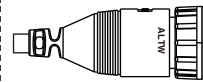
Screw Thread (S)



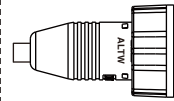
2 Points Lock Bayonet (L)
(Nut OD: 28.5mm)

2 Points Lock Bayonet (N)
(Nut OD: 25.4mm)

Connector Body (Style) 3

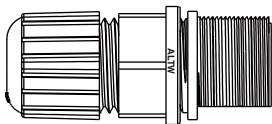


With Strain Relief (A)

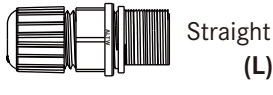


Without Strain Relief (B)

Field Installable



Backshell 8



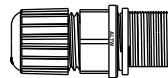
Straight (L)

Mating Style 7



Screw Thread (S)

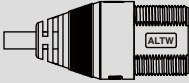
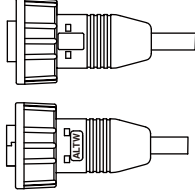
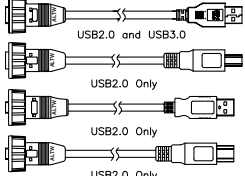
Connector Body (Style) 3



Without Strain Relief (B)


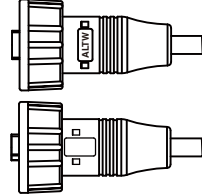
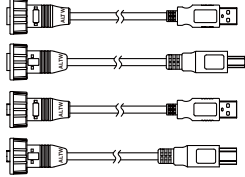
Find Our Standard Products | USB

USB > In-line

<ul style="list-style-type: none"> • Male Connector (Housing) • Female Contacts • Screw Thread • Middle Size (13/16"-28 UNS) 	<p>Overmolded with Cable-----></p> 	<p>Overmolded with Cable-----></p> 	<p>Overmolded with Cable (Double-Ended)</p>  <p>Non-Waterproof</p>
	<p>** USB 2.0: Choose the cable length from 01~05m ** USB 3.0: Choose the cable length from 01~03m</p>	<p>** USB 2.0: Choose the cable length from 01~05m ** USB 3.0: Choose the cable length from 01~03m</p>	<p>** USB 2.0: Choose the cable length from 01~05m ** USB 3.0: Choose the cable length from 01~03m</p>
Speed (Code)	Male Connector (M) Female Contacts (F)	Female Connector (F) Male Contacts (M)	Female Connector (F) Male Contacts (M)
USB 2.0 Type A	UA-20AMFM-SL7A <u>XX</u> **	UA-20BFMM-SL7A <u>XX</u> **	UA-20BFM-SA7A <u>XX</u> ** UA-20BFM-SB7A**
USB 2.0 Type B	UB-20AMFM-SL7A <u>XX</u> **	UB-20BFMM-SL7A <u>XX</u> **	UB-20BFM-SA7A <u>XX</u> ** UB-20BFM-SB7A**
USB 3.0 Type A	UA-30AMFM-SL7B <u>XX</u> **	UA-30BFMM-SL7B <u>XX</u> **	UA-30BFM-SD7B <u>XX</u> **

* Refer to P4-4 for ordering information.

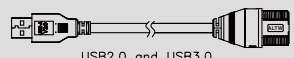
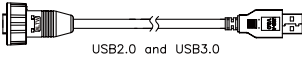
USB > In-line

<ul style="list-style-type: none"> • Male Connector (Housing) • Female Contacts • Screw Thread • Middle Size (13/16"-28 UNS) 	<p>Field Installable -----></p> 	<p>Overmolded with Cable-----></p> 	<p>Overmolded with Cable (Double-Ended)</p>  <p>Non-Waterproof</p>
	<p>** USB 2.0: Choose the cable length from 01~05m</p>	<p>** USB 2.0: Choose the cable length from 01~05m</p>	<p>** USB 2.0: Choose the cable length from 01~05m</p>
Speed (Code)	Male Connector (M) Female Contacts (F)	Female Connector (F) Male Contacts (M)	Female Connector (F) Male Contacts (M)
USB 2.0 Type A	UA-20BMFA-SL8001	UA-20BFMM-SL7A <u>XX</u> **	UA-20BFM-SA7A <u>XX</u> ** UA-20BFM-SB7A <u>XX</u> **
USB 2.0 Type B	UB-20BMFA-SL8001	UB-20BFMM-SL7A <u>XX</u> **	UB-20BFM-SA7A <u>XX</u> ** UB-20BFM-SB7A <u>XX</u> **

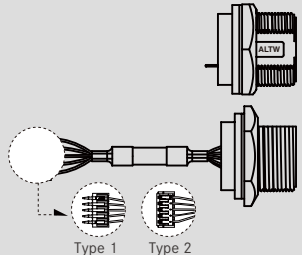
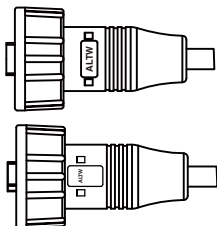
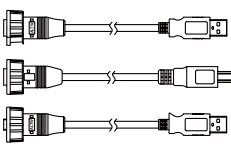
* Refer to P4-4 for ordering information.

[Note] Design and specification are subject to change without notice.

USB > In-line

<ul style="list-style-type: none"> • Male Connector (Housing) • Female Contacts • Screw Thread • Middle Size (13/16"-28 UNS) 	<p>Overmolded with Cable (Double-Ended) -----></p>  <p>USB2.0 and USB3.0</p>	<p>Overmolded with Cable (Double-Ended) -----></p>  <p>USB2.0 and USB3.0</p>	<p>Field Installable</p>
	<p>** USB 2.0: Choose the cable length from 01~05m ** USB 3.0: Choose the cable length from 01~03m</p>	<p>** USB 2.0: Choose the cable length from 01~05m ** USB 3.0: Choose the cable length from 01~03m</p>	
Speed (Code)	Male Connector (M) Female Contacts (F)	Female Connector (F) Male Contacts (M)	Female Connector (F) Male Contacts (M)
USB 2.0 Type A	UA-20AMF-SA7A <u>XX</u> ** UA-20AMF-SB7A <u>XX</u> **	UA-20BFM-SA7A <u>XX</u> ** UA-20BFM-SA7A <u>XX</u> **	-
USB 3.0 Type A	UA-30AMF-SD7B <u>XX</u> **	UA-30BFM-SD7B <u>XX</u> **	-
USB 2.0 Type B	UB-20AMFM-SA7A <u>XX</u> ** UB-20AMFM-SB7A <u>XX</u> **	UB-20BFM-SA7A <u>XX</u> ** UB-20BFM-SB7A <u>XX</u> **	-

USB > Receptacle and Mating Pair

<ul style="list-style-type: none"> • Male Connector (Housing) • Female Contacts • Screw Thread • Middle Size (13/16"-28 UNS) 	<p>Receptacle -----></p>  <p>Type 1 Type 2</p>	<p>Overmolded with Cable -----></p> 	<p>Overmolded with Cable (Double-Ended)</p>  <p>Non-Waterproof</p>
	<p>** Choose the cable length from 01~05m</p>	<p>** Choose the cable length from 01~05m</p>	
Speed (Code)	Male Connector (M) Female Contacts (F)	Female Connector (F) Male Contacts (M)	Female Connector (F) Male Contacts (M)
USB 2.0 Type A	UA-20PMFP-SC8001 UA-20PMFP-SC8002 Type1 UA-20PMFP-SC8003 Type2	UA-20BFMM-SL7A <u>XX</u> **	UA-20BFM-SA7A <u>XX</u> ** UA-20BFM-SB7A <u>XX</u> **
USB 2.0 Type B	UB-20PMFP-SC8001 UB-20PMFP-SC8002 UB-20PMFP-SC8003	UB-20BFMM-SL7A <u>XX</u> **	UB-20BFM-SA7A <u>XX</u> ** UB-20BFM-SB7A <u>XX</u> **

USB > Receptacle and Mating Pair

<ul style="list-style-type: none"> • Male Connector (Housing) • Female Contacts • 2 Points Lock Bayonet (Nut OD: 28.5mm) • Large Size (1" 20 UNEF) 	<p>Receptacle</p> <p>Type 1 Type 2</p>	<p>Overmolded with Cable</p> <p>** Choose the cable length from 01~05m</p>	<p>Field Installable</p>												
	<table border="1"> <tr> <th>Speed (Code)</th> <th>Male Connector (M) Female Contacts (F)</th> <th>Female Connector (F) Male Contacts (M)</th> <th>Female Connector (F) Male Contacts (M)</th> </tr> <tr> <td>USB 2.0 Type A</td> <td>UA-20PMFP-LC7001 UA-20PMFP-LC7002 Type1 UA-20PMFP-LC7003 Type2</td> <td>UA-20AFMM-LL7AXX** UA-20AFMM-LR7AXX**</td> <td>-</td> </tr> <tr> <td>USB 2.0 Type B</td> <td>UB-20PMFP-LC7001 UB-20PMFP-LC7002 UB-20PMFP-LC7003</td> <td>UB-20AFMM-LL7AXX** UB-20AFMM-LR7AXX**</td> <td>-</td> </tr> </table>	Speed (Code)	Male Connector (M) Female Contacts (F)	Female Connector (F) Male Contacts (M)	Female Connector (F) Male Contacts (M)	USB 2.0 Type A	UA-20PMFP-LC7001 UA-20PMFP-LC7002 Type1 UA-20PMFP-LC7003 Type2	UA-20AFMM-LL7AXX** UA-20AFMM-LR7AXX**	-	USB 2.0 Type B	UB-20PMFP-LC7001 UB-20PMFP-LC7002 UB-20PMFP-LC7003	UB-20AFMM-LL7AXX** UB-20AFMM-LR7AXX**	-		
Speed (Code)	Male Connector (M) Female Contacts (F)	Female Connector (F) Male Contacts (M)	Female Connector (F) Male Contacts (M)												
USB 2.0 Type A	UA-20PMFP-LC7001 UA-20PMFP-LC7002 Type1 UA-20PMFP-LC7003 Type2	UA-20AFMM-LL7AXX** UA-20AFMM-LR7AXX**	-												
USB 2.0 Type B	UB-20PMFP-LC7001 UB-20PMFP-LC7002 UB-20PMFP-LC7003	UB-20AFMM-LL7AXX** UB-20AFMM-LR7AXX**	-												

USB > Receptacle and Mating Pair

<ul style="list-style-type: none"> • Male Connector (Housing) • Female Contacts • 2 Points Lock Bayonet (Nut OD: 25.4mm) • Large Size (13/16-28 UN) 	<p>Receptacle</p>	<p>Overmolded with Cable</p> <p>** Choose the cable length from 01~05m</p>	<p>Field Installable</p>								
	<table border="1"> <tr> <th>Speed (Code)</th> <th>Male Connector (M) Female Contacts (F)</th> <th>Female Connector (F) Male Contacts (M)</th> <th>Female Connector (F) Male Contacts (M)</th> </tr> <tr> <td>USB 2.0 Type A</td> <td>UA-20PMFJ-NC7001</td> <td>UA-20BFMM-NL7AXX**</td> <td>-</td> </tr> </table>	Speed (Code)	Male Connector (M) Female Contacts (F)	Female Connector (F) Male Contacts (M)	Female Connector (F) Male Contacts (M)	USB 2.0 Type A	UA-20PMFJ-NC7001	UA-20BFMM-NL7AXX**	-		
Speed (Code)	Male Connector (M) Female Contacts (F)	Female Connector (F) Male Contacts (M)	Female Connector (F) Male Contacts (M)								
USB 2.0 Type A	UA-20PMFJ-NC7001	UA-20BFMM-NL7AXX**	-								

【Note】 Design and specification are subject to change without notice.

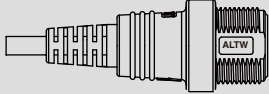
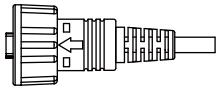
USB

Receptacle with Overmolded Cable and Mating Pair
 2 Points Lock Bayonet
 Large Size

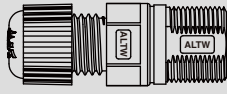
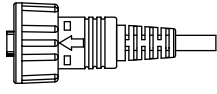
➤ **USB > Receptacle with Overmolded Cable and Mating Pair**

<ul style="list-style-type: none"> • Male Connector (Housing) • Female Contacts • Screw Thread • 2 Points Lock Bayonet (Nut OD: 28.5mm) • Large Size (1"20 UNEF) 	<p>Receptacle with Cable (Double-Ended)</p> <p>Non-Waterproof</p> <p>** USB 3.0: Choose the cable length from 150~300mm</p>	<p>Overmolded with Cable</p>	<p>Overmolded with Cable (Double-Ended)</p> <p>** USB 3.0: Choose the cable length from 01~03m</p>
	<p>Speed (Code)</p>	<p>Male Connector (M) Female Contacts (F)</p>	<p>Female Connector (F) Male Contacts (M)</p>
<p>USB 3.0 Type A</p>	<p>UA-30PMF-LD7BXX* UA-30PMF-SD7BXX*</p>	<p>UA-30AFMM-LL7BXX** UA-30BFMM-SL7BXX**</p>	<p>UA-30BFM-SD7BXX** UA-30AFM-LD7BXX**</p>

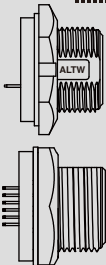
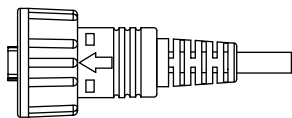
↳ **Mini USB > In-line**

<ul style="list-style-type: none"> • Male Connector (Housing) • Female Contacts • Screw Thread • Standard Size (5/8"-27 UNS) 	<p>Overmolded with Cable-----></p>  <p>** Choose the cable length from 01~04m</p>	<p>Overmolded with Cable -----></p>  <p>** Choose the cable length from 01~04m</p>	<p>Field Installable</p>
	<p>Speed (Code)</p> <p>Male Connector (M) Female Contacts (F)</p>	<p>Female Connector (F) Male Contacts (M)</p>	<p>Female Connector (F) Male Contacts (M)</p>
<p>Mini USB 2.0 Type B</p>	<p>NUB-20AMFM-SL7AXX**</p>	<p>NUB-20AFMM-SL7AXX**</p>	<p>-</p>

↳ **Mini USB > In-line**

<ul style="list-style-type: none"> • Male Connector (Housing) • Female Contacts • Screw Thread • Standard Size (5/8"-27 UNS) 	<p>Field Installable -----></p> 	<p>Overmolded with Cable -----></p>  <p>** Choose the cable length from 01~04m</p>	<p>Field Installable</p>
	<p>Speed (Code)</p> <p>Male Connector (M) Female Contacts (F)</p>	<p>Female Connector (F) Male Contacts (M)</p>	<p>Female Connector (F) Male Contacts (M)</p>
<p>Mini USB 2.0 Type B</p>	<p>NUB-20BMFA-SL7001</p>	<p>NUB-20AFMM-SL7AXX**</p>	<p>-</p>

↳ **Mini USB > Receptacle and Mating Pair**

<ul style="list-style-type: none"> • Male Connector (Housing) • Female Contacts • Screw Thread • Standard Size (5/8"-27 UNS) 	<p>Receptacle -----></p> 	<p>Overmolded with Cable -----></p>  <p>** Choose the cable length from 01~04m</p>	<p>Field Installable</p>
	<p>Speed (Code)</p> <p>Male Connector (M) Female Contacts (F)</p>	<p>Female Connector (F) Male Contacts (M)</p>	<p>Female Connector (F) Male Contacts (M)</p>
<p>Mini USB 2.0 Type B</p>	<p>NUB-20PMFP-SC7001 NUB-20PMFR-SC7001</p>	<p>NUB-20AFMM-SL7AXX**</p>	<p>-</p>

【Note】 Design and specification are subject to change without notice.

Specification | Micro USB

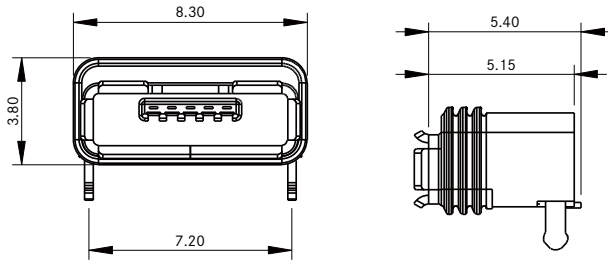
Identifications	Micro USB: AB Type
Description	Receptacle
Current Rating	1pin & 5pin: 1.8A 2pin, 3pin & 4pin: 1A
Materials	Contacts: Copper Alloy, Gold Plated Connector Body (Housing): Nylon, Black Shell: Stainless, Gold Plated Inner Gasket: Silicone, Transparent Outside Gasket: Silicone, Transparent
Waterproof Rating	IP67/68
Temperature Range	-30°C ~ 85°C
Contact Resistance	≤30mΩ
Insulation Resistance	≥ 1000MΩ at 100Vdc
Durability	10,000 Cycles
More to Know	SMT Temperature & Time: 260°C/5Sec

Ordering Information | Micro USB

	1	2	3	4	5	6	7	8	9	10
Specification										
(MUC) Micro USB										
Data Transfer Rate										
(20) 2.0										
Connector Body (Style)										
> For Receptacle										
(P) Front Fastened										
Connector (Housing) Gender										
(F) Female										
Contact Gender										
(F) Female (Jack)										
Assemble Style										
> For Receptacle										
(R) 90° PCB Type										
Mating Style										
(J) For Joint										
Backshell										
> For Receptacle										
(S) Square										
Waterproof Rating										
(70) IP67 (1M depth of water in 30min)										
(8A) IP68 (1M depth of water in 24hrs)										
(8B) IP68 (5M depth of water in 24hrs)										
(8C) IP68 (10M depth of water in 3hrs)										
More information										
(02), (03)....										
Without Cable: Different Versions										

【Note】 Design and specification are subject to change without notice.

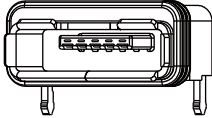
Physical Dimension | Micro USB



Unit: mm

Find Our Standard Products | Micro USB

Micro USB

	
Waterproof Rating	Part Number
IP67 (1M, 30mins)	MUC-20PFFR-JS7002
IP68 (1M, 24hrs)	MUC-20PFFR-JS8A02
IP68 (5M, 24hrs)	MUC-20PFFR-JS8B02
IP68 (10M, 3hrs)	MUC-20PFFR-JS8C02

【Note】 Design and specification are subject to change without notice.