

Design Change Notification

August 23rd, 2018

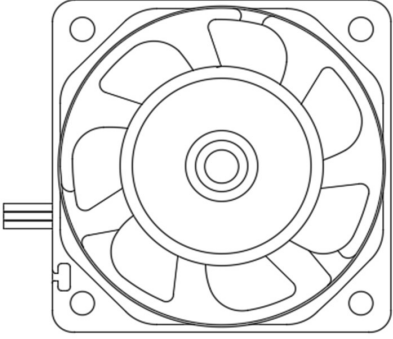
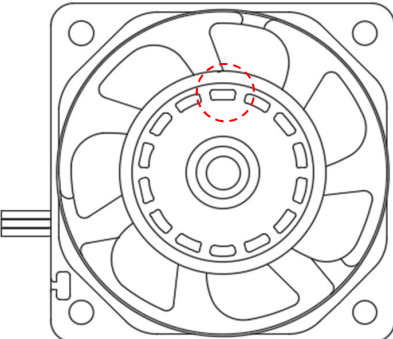
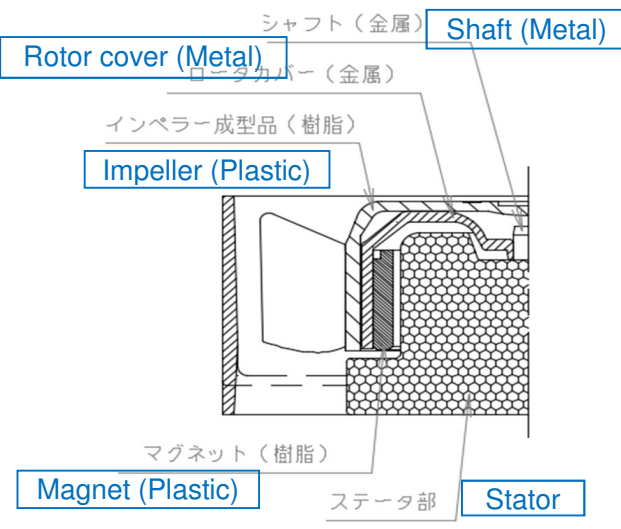
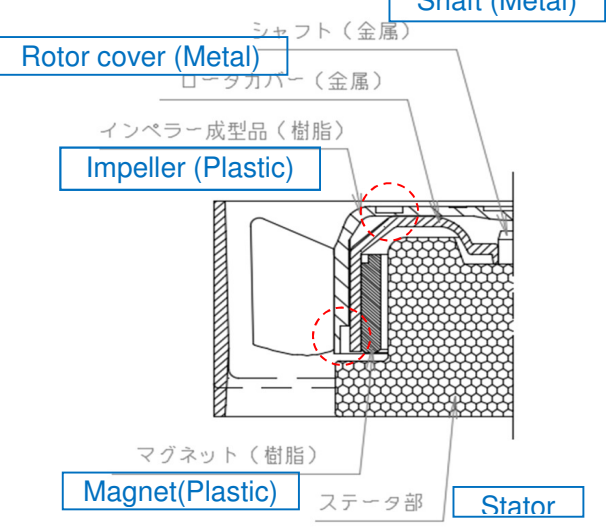
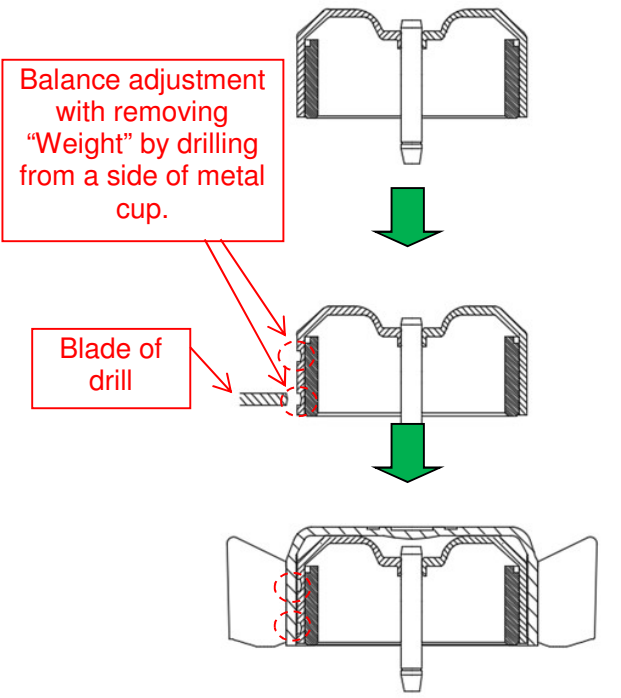
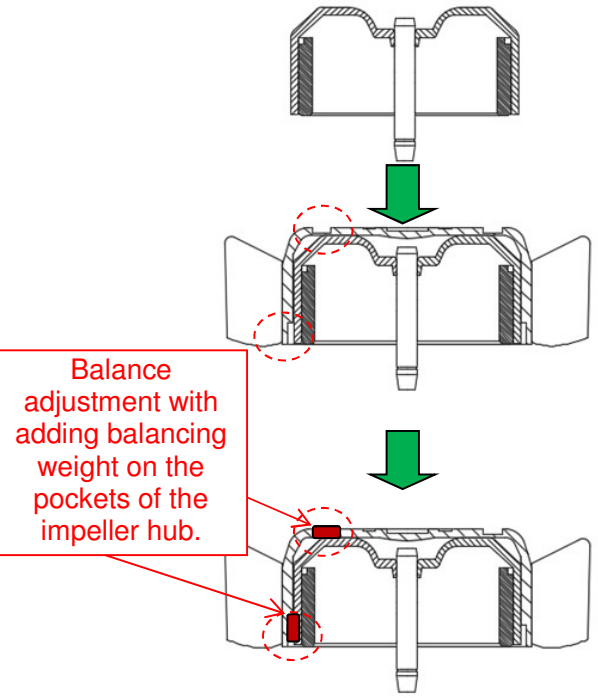
To: Sanyo Denki America Cooling DistributorsProduct: 60mm x 25mm Oil Proof FanModel: Refer to an attached listSANYO DENKI CO., LTD.
Design Dept., Cooling Systems Div.

Approved	Checked	Designed
		

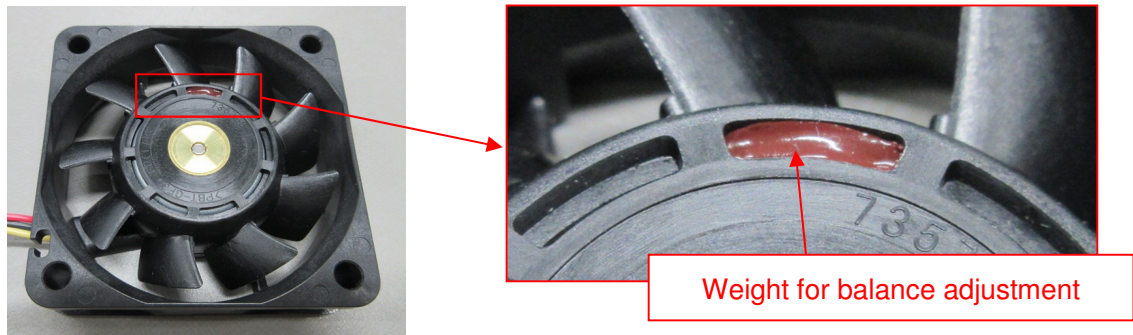
SANYO DENKI *America*, Inc.
Cooling Systems Division

No	Contents	Existence	Modification	Description
1	Shape of impeller hub.	No pockets on hub for adding balancing weight.	Add pockets on hub for balance adjustment.	To have the ability to add balancing weight to the impeller hub, similar to other models.
2	Rotor balance adjustment	Removing "Weight" by drilling from a side of metal cup.	Adding balance weight on the pockets of the impeller hub. (Please refer to next page for the details.)	Implementation Date: From the production in January 2019. Since we would need to change molding die for plastic impeller, please let us know by the end of September 2018 if you have any issue.

1. Detail of change contents

Existing type	Modification type
<p>Appearance</p> 	<p>Appearance</p> 
<p>Cross-section of rotor</p>  <p>Shaft (Metal)</p> <p>Rotor cover (Metal)</p> <p>インペラー成型品 (樹脂)</p> <p>Impeller (Plastic)</p> <p>マグネット (樹脂)</p> <p>Magnet (Plastic)</p> <p>ステータ部</p> <p>Stator</p>	<p>Cross-section of rotor</p>  <p>Shaft (Metal)</p> <p>Rotor cover (Metal)</p> <p>インペラー成型品 (樹脂)</p> <p>Impeller (Plastic)</p> <p>マグネット (樹脂)</p> <p>Magnet (Plastic)</p> <p>ステータ部</p> <p>Stator</p>
<p>Method of balance adjustment</p>  <p>Balance adjustment with removing "Weight" by drilling from a side of metal cup.</p> <p>Blade of drill</p>	<p>Method of balance adjustment</p>  <p>Balance adjustment with adding balancing weight on the pockets of the impeller hub.</p>

*SANYODENKI has enough experience of same method with another size of Oil Proof Fan, including 60x20mm size Oil Proof Fan.



2. The effect for characteristic and reliability

There is no change for shape of blade, motor coil, drive circuit and mold resin for oil proof in this change. Therefore; no change for each characteristic including P-Q performance, reliability and Oil-proof capability. And, there is no change the capability of vibration also by the change of rotor balance adjustment method.

List of Affected Model Numbers

Sanyo Denki Part Number
9WF0624H401
9WF0624H402
9WF0624H405
9WF0624H406
9WF0624H407
9WF0624H4D01
9WF0624H4D06