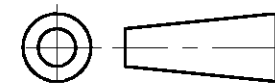


DO NOT SCALE

DIMENSIONS IN mm

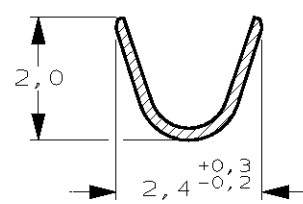
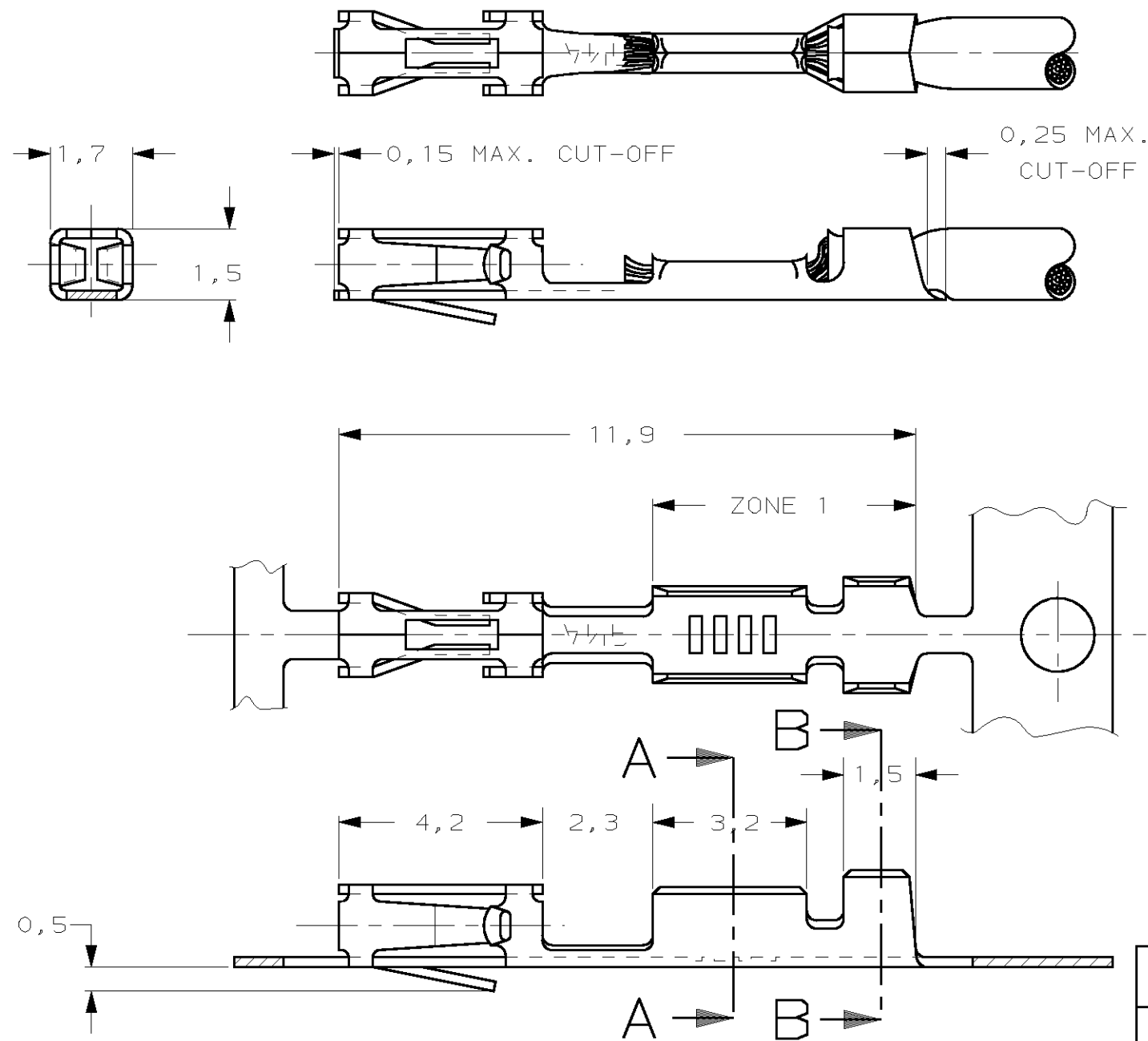
METRIC

THIRD ANGLE
PROJECTION

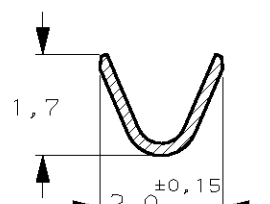


NOTES:

- 1 FOR MINI-APPLICATOR-CRIMPING.
- 2 UNDERCOATING: 1,25µm Ni, SELECTIVE: 0,8µm Au, ZONE 1: 0,5µm MIN. GOLDFLASH.
- 3 UNDERCOATING: 1,25µm Ni, SELECTIVE: 0,8µm Au, REMAINDER: GOLDFLASH.
- 4 UNDERCOATING: 1,25µm Ni, SELECTIVE: 0,4µm Au, NO GOLDFLASH.
- 5 UNDERCOATING: 1,25µm Ni, SELECTIVE: 2,0µm Au, REMAINDER: GOLDFLASH.
- 6 PRE-TINPLATED: 2,0µm.
- 7 ZONE 1: BRIGHT TIN/LEAD PLATED.
- 8 MATERIAL: PHOSPHORBRONZE
- 9 FOR STANDARD-APPLICATOR-CRIMPING.
- 10 FOR REELFED-HANDTOOL-CRIMPING, 500 CONTACTS ON A SMALL REEL.
- 11 24-20 AWG (0,20-0,56 mm²) WITH .055 CRIMPER.
26 AWG (0,12-0,14 mm²) WITH .042 CRIMPER.



SECTION B-B



SECTION A-A

WIRE RANGE	11
INSUL. RANGE	1,4 MAX. DIA.

GOLD	2	1-141708-2	5-167301-4	10
TIN	6	1-141708-1	5-167301-2	10
GOLD	5	≠	2-167301-6	1
			2-167301-5	9
GOLD	2	1-141708-2	2-167301-4	1
			2-167301-3	9
TIN	6	1-141708-1	2-167301-2	1
			2-167301-1	9
GOLD	4 7	≠	1-167301-6	1
			1-167301-5	9
GOLD	3	141708-1	167301-4	1
			167301-3	9

		FINISH			LOOSE PIECE	PARTNUMBER
-	-	-	-	-	CUSTOMER DRAWING FOR REFERENCE ONLY WILL NOT BE UPDATED	
-	-	-	-	-	© COPYRIGHT 19- BY AMP HOLLAND B.V. ALL INTERNATIONAL RIGHTS RESERVED. AMP PRODUCTS MAY BE COVERED BY U.S. AND FOREIGN AND/OR PATENTS PENDING.	
-	-	-	-	-	THIS DRAWING IS UNPUBLISHED RELEASED FOR PUBLICATION, 19	
J	EH01-1317-03	RvH	MvD	07NOV03	TYCO ELECTRONICS NEDERLAND B.V. 's-HERTOGENBOSCH, THE NETHERLANDS	
H	EH-2039-98	JvL	JvL	03-12-98	NAME	
G	EH-0868-98	JvL	JvL	12-06-98	AMP MODU MOD.4	
F	H-9172	R.D.	-	02-10-91	RECEPTACLE, S.C.P. STRIP	
LTR.	REVISION RECORD	DR.	CHK.	DATE		
DR.:	R.VISSER	CHK.:	J.v.LIEMPT	APP.:	L.v.50EST	DWG.No.
DATE:	11-11-87	DATE:	-	DATE:	-	C-167301
						REV.LTR. J
						SHEET 1 OF 1
						A3