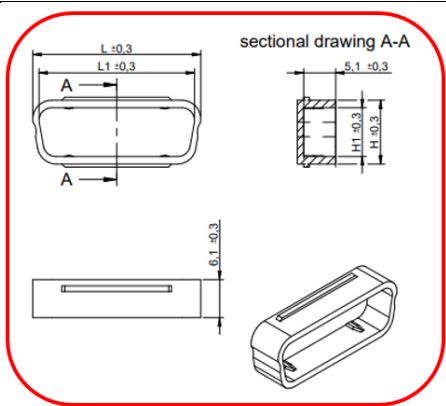
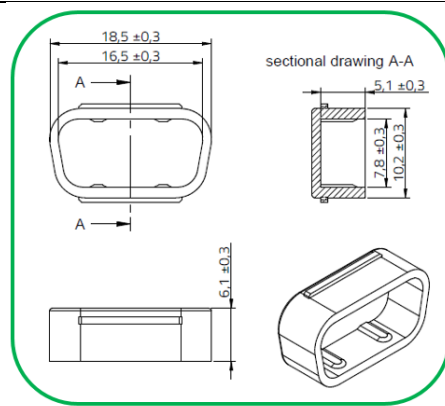
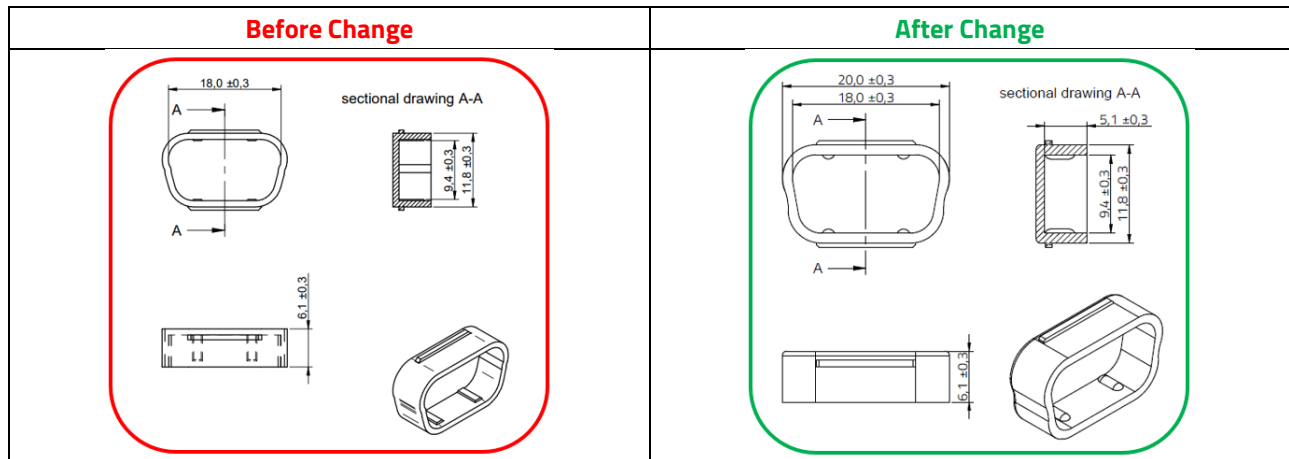


<h2>Product / Process Change Notification (PCN)</h2>	
<input type="checkbox"/> Major change <input checked="" type="checkbox"/> Minor change	
<b>PCN #:</b> PCN_AsPCCA_20240210  <b>Affected Series:</b> WA-PCCA; 726851001 / 726852001 / 726181001 / 726181002 / 726181101 / 726181102 / 726181103 / 726181104 / 726181105  <b>PCN Date:</b> November 10, 2023 <b>Effective Date:</b> February 10, 2024	<b>Change Category:</b> <input type="checkbox"/> Equipment / Location <input checked="" type="checkbox"/> General Data <input type="checkbox"/> Material <input type="checkbox"/> Process <input type="checkbox"/> Product Design <input type="checkbox"/> Shipping / Packaging <input type="checkbox"/> Supplier <input type="checkbox"/> Software
<b>Contact:</b> Product Management <b>Phone:</b> +49 (0) 7942 - 945 5001 <b>Fax:</b> +49 (0) 7942 - 945 5179 <b>E-Mail:</b> pcn.eican@we-online.com	<b>Data Sheet Change:</b> <input checked="" type="checkbox"/> Yes <input type="checkbox"/> No  <b>Attachment:</b> <input type="checkbox"/> Yes <input checked="" type="checkbox"/> No
<b>Description and purpose of change:</b> Because of a database mismatch, Würth Elektronik update 3D models & datasheets This is a 3D model & datasheet correction only. There will be no change in form, fit, function, quality or reliability of the product.	
<b>Detail of Change:</b> <ul style="list-style-type: none"> <li>726181001 – 3D model and datasheet optic incl. dimensioning updated according to the real part</li> </ul>	
<b>Before Change</b>	<b>After Change</b>
	

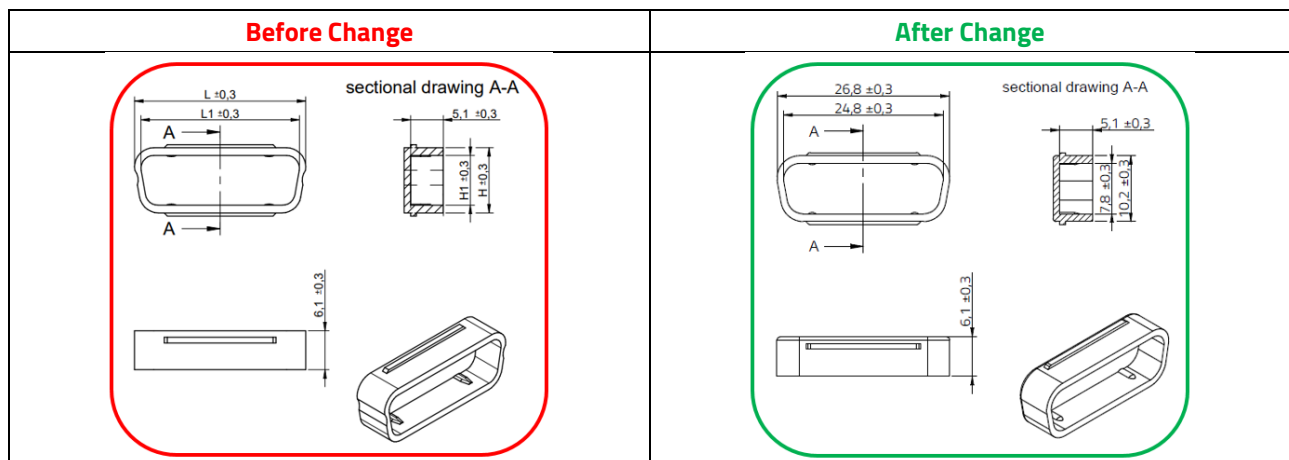
**Detail of Change:**

- **726181002 – 3D model and datasheet optic incl. dimensioning updated according to the real part**



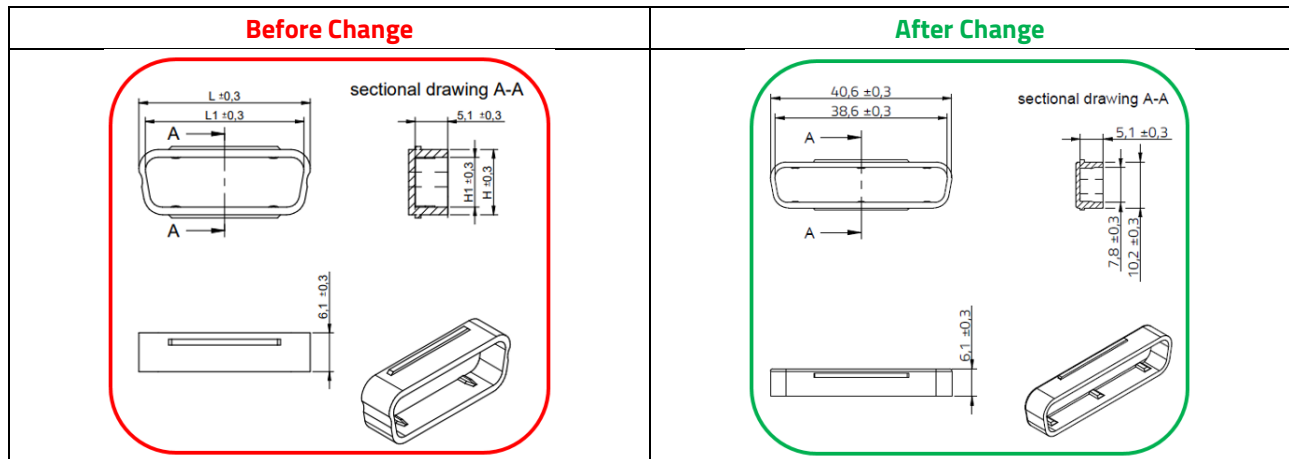
**Detail of Change:**

- **726181101 – Dimensioning with values & tolerances added into the datasheet**



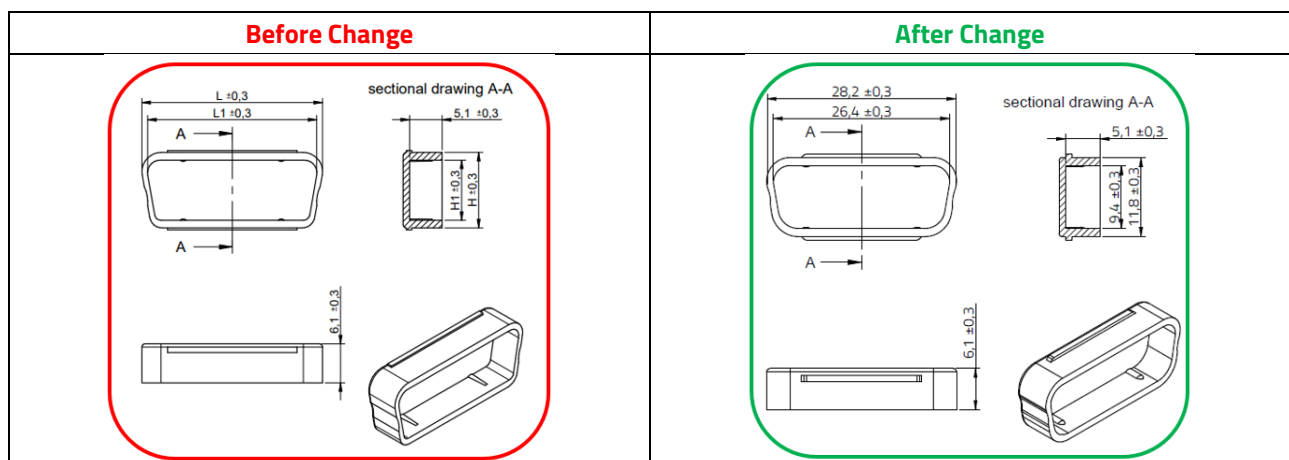
**Detail of Change:**

- **726181102 – 3D model and datasheet optic incl. dimensioning updated according to the real part**



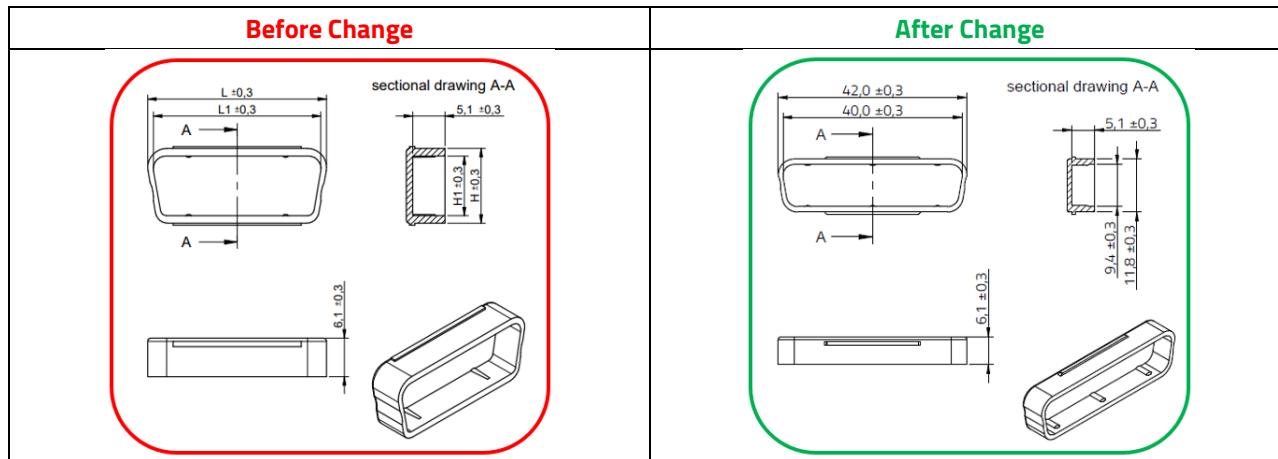
**Detail of Change:**

- **726181103 – Dimensioning with values & tolerances added into the datasheet**



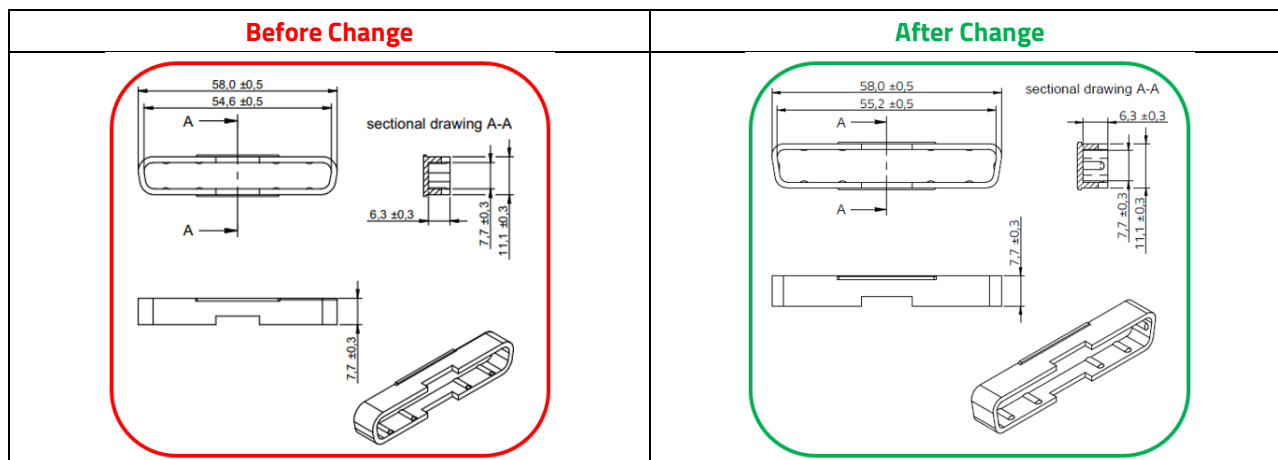
**Detail of Change:**

- **726181104 – Corrected optic & dimensions in the datasheet according to the real part**



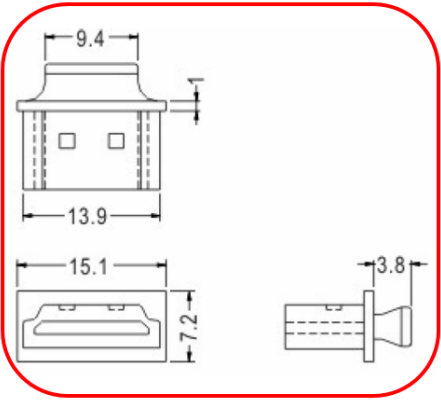
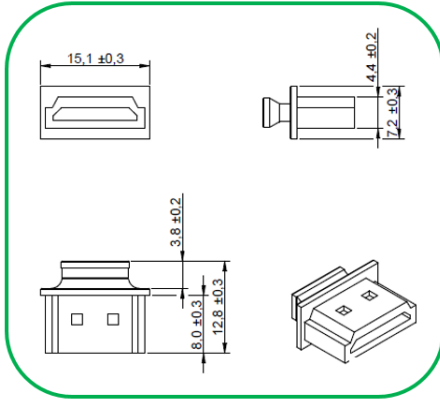
**Detail of Change:**

- **726181105 – Corrected dimensions according to the real part and new 3D model**



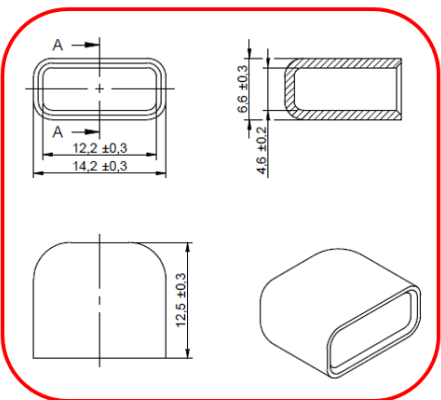
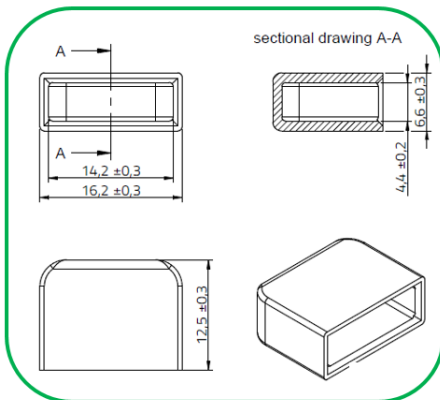
**Detail of Change:**

- **726851001 – Updated dimensioning with tolerances**

Before Change	After Change
	

**Detail of Change:**

- **726852001 – Corrected dimensions according to the real part and new 3D model**

Before Change	After Change
	

**Reliability / Qualification Summary:**

There will be no change of the product, therefore no additional reliability or qualification testing will be performed.