


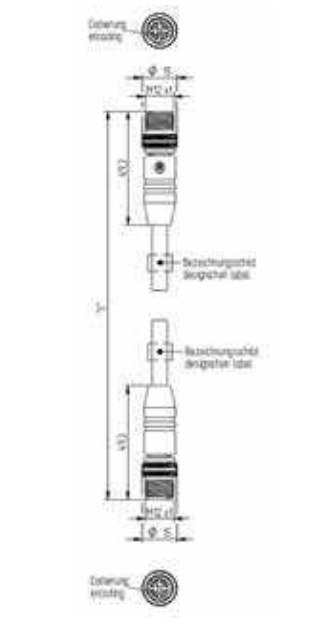
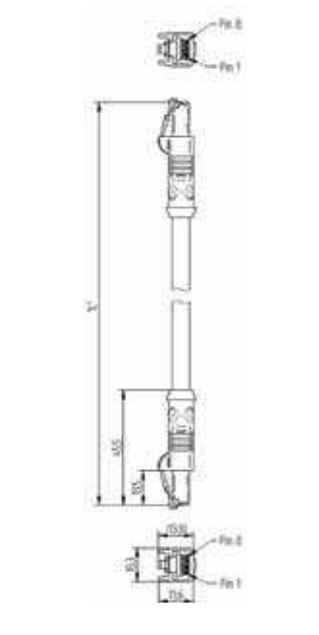
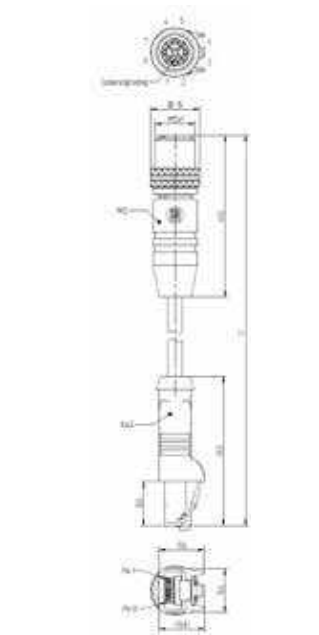
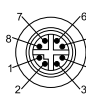

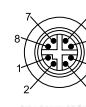


## Gigabit Shielded Ethernet Double-Ended Cord Sets

Foil/Braid Shield, 26 AWG, PUR Jacket

Type	0985 478 601		0985 478 603		0985 478 604	
						
<b>Product description</b>	Cord sets, double-ended, M12-M12, Industrial Ethernet Data cable for GigaBit Applications, molded with M12 male connectors, 8 poles X coded, 1M, 2M, and 5M cable lengths.		Cord set, double-ended, RJ45-RJ45, Industrial Ethernet Data cable for GigaBit Applications, molded with RJ45 connectors, PUR jacket, halogen-free, black, 2M, 5M, 10M and 15M cable lengths.		Cord set, double-ended, M12-RJ45, Industrial Ethernet Data cable for GigaBit Applications, molded with M12 male connector (X coded, 8 poles) and RJ45 connector, PUR jacket, halogen-free, black, 1M, 2M, and 5M cable lengths.	
<b>Note</b>	Transmission properties for Cat 6 and Cat 6A compliant with IEC PAS 61076-2-109. The application of these products in harsh environments should always be checked before use.					
<b>Color of housing</b>	black					
<b>Number of contacts</b>	8					
<b>Product characteristics</b>	Oil resistance, EMC resistance, Drag chains suitable, UV resistance					
<b>Ordering information</b>	<b>Part number</b>	<b>Order number</b>	<b>Part number</b>	<b>Order number</b>	<b>Part number</b>	<b>Order number</b>
	0985 478 601/1M	934-637-028	0985 478 603/2 M	934 637-613	0985 478 604/1 M	on request
	0985 478 601/2M	934-637-029	0985 478 603/5M	934-637-615	0985 478 604/2M	on request
	0985 478 601/5M	934-637-030	0985 478 603/10M	934-637-616	0985 478 604/5M	on request
	-	-	0985 478 603/15M	934-637-663	-	-
<b>Technical illustration</b>	<b>M12 to M12</b>		<b>RJ45 to RJ45</b>		<b>M12 to RJ45</b>	
						
<b>Face View / Color Code</b>	<b>M12 to M12</b>		<b>RJ45 to RJ45</b>		<b>M12 to RJ45</b>	
	 1 = white/orange    5 = white/brown 2 = orange        6 = brown 3 = white/green    7 = white/blue 4 = green            8 = blue		 1 = white/orange    5 = white/brown 2 = orange        6 = brown 3 = white/green    7 = white/blue 4 = green            8 = blue		 1 = white/orange    5 = white/brown 2 = orange        6 = brown 3 = white/green    7 = white/blue 4 = green            8 = blue	



## Gigabit Shielded Ethernet Double-Ended Cord Sets

Foil/Braid Shield, 26 AWG, PUR Jacket

Environmental conditions	0985 478 601	0985 478 603	0985 478 604
Environmental temperature	IP 67	IP20	IP 67 (M12) / IP 20 (RJ45)
Degree of protection (IP), mounted	-40°C to +85°C	-20°C to +75°C	-30°C to 90°C (M12), -20°C to 75°C (RJ45)
Pollution degree	3		
<b>Classifications</b>			
Belden class	Industrial Ethernet Data Cables		
Belden brand	Lumberg Automation		
<b>Mechanical data</b>			
Type of plug-in contact	Male to Male		
Design of housing	Straight to Straight		
Thread	M12 to M12	RJ45 to RJ45	M12 to RJ45
Coding	D	–	D (M12)
<b>Materials</b>			
Housing material / Molded body	PA	TPU	PA (M12) / TPU (RJ45)
Contact bearer material	PBT	PC	PA (M12)
Contact material	CuSn		CuZn
Contact material / Surface refinement	gold-plated		
Contact bearer material		PC	PC (RJ45)
Knurled screw / nut material	CuZn, nickel-plated		
<b>Approvals</b>			
Approvals	EN 50155, IEC 61373, DIN CLC/TS 50467, DIN CEN/TS 45545, DIN 5510	–	–
RoHS 2002/95 EG compliant	yes		
<b>Cable specifications</b>			
Cable jacket	PUR		
Color	Black		
Gauge	26 AWG		
Overall diameter	6.5 mm		
Conductor	8		
Insulation	PE		
Foil shield	yes		
Braided shield	yes		
<b>Electrical data</b>			
Contact resistance	≤ 5 mΩ		
Rated current In	4 A at 40°C	1 A at 40°C	
Nominal voltage	60 V	50 V	
Rated voltage	250 V	–	
Test voltage	2 kV eff./60 s	–	
Insulation resistance	> 1 GΩ		
<b>Characteristics</b>			

The application of these products in harsh environments should always be checked before use.  
Specifications subject to alteration.