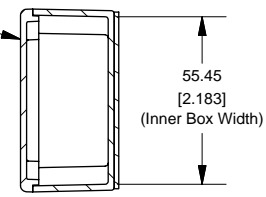
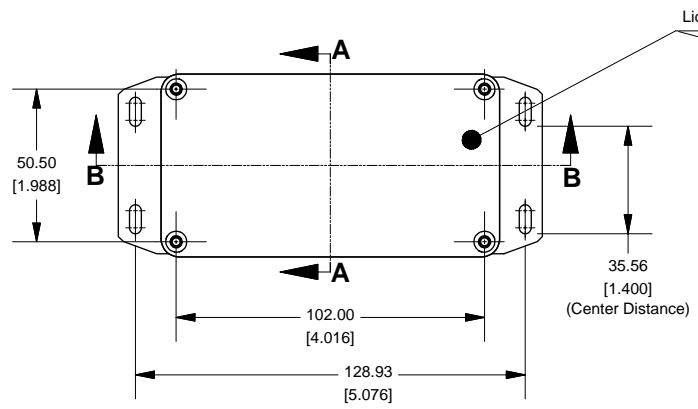
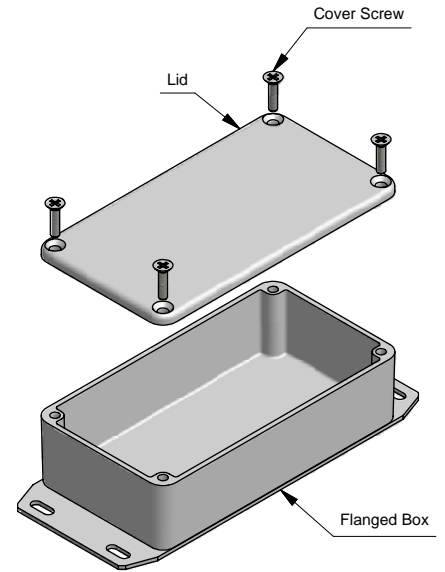


# Series 1590BF (Flanged Box)

### Top View of Assembly

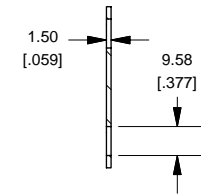
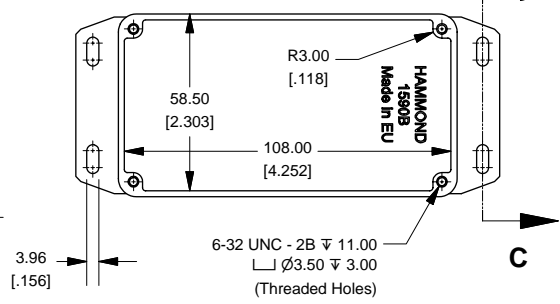
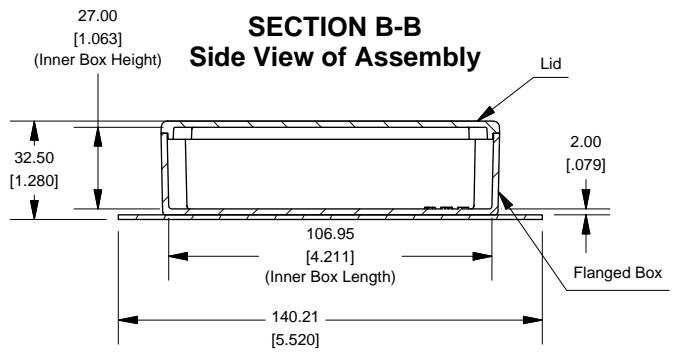
### SECTION A-A End View of Assembly



### SECTION B-B Side View of Assembly

### Top View Looking Inside Box

### SECTION C-C Side of Slot



**NOTE**  
 Purchased assembly includes box, lid and 4 cover screws.  
 Box and lid are made from Diecast Aluminum Alloy (alloy type 360.1).  
 Flanges are made from Stamped Aluminum 5052-H32

PART NUMBERS	
1590BF Enclosure	
Unfinished	1590BF
Black Textured Powder Paint	1590BFBK
1590BF Liquid Resistant Enclosure (Silicon Factory Installed Gasket)	
Unfinished	1590WBF
Black Textured Powder Paint	1590WFBK
ACCESSORIES	
Unfinished	
Cover Screws (Pkg 100) [6-32 x 1/2" Nickel Plated Screws]	1590MS100
Black Textured Powder Paint	
Cover Screws (Pkg 50) [6-32 x 1/2" Stainless Steel Black Screws]	1590MS50BK

### Lid

