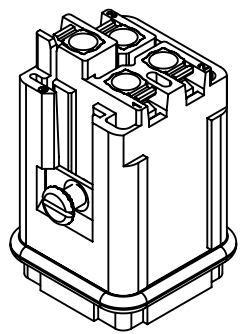
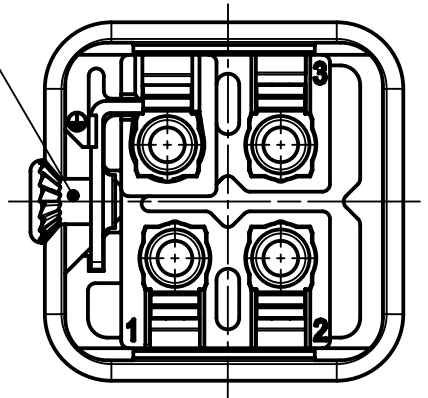


insert fixing screw M3x6
separately enclosed



	All Dimensions in mm Original Size DIN A4	Scale 2:1		Free size tol.		Ref.	
						Sub.	
	All rights reserved Department EL PD - DE	Created by ILJIN	Inspected by FERDERERA	Standardisation SCHMIDTM	Date 2014-04-10	State Final Release	
		Title Han 3A male insert with Quick-Lock 1,5mm					Doc-Key / ECM-Nr. 100216035/UGD/002/B 500000072949
HARTING Electric GmbH & Co. KG D-32339 Espelkamp		Type TB	Number 09 20 003 2634			Rev. B	Page 1/1