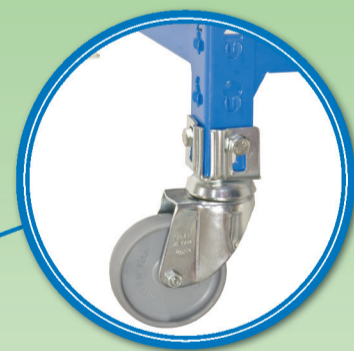
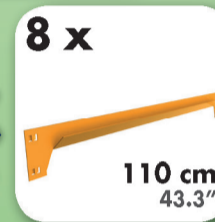


150 x 110 x 50 cm* 59.1" x 43.3" x 19.7"

SIMONCLICK MOBILE SUPERPLUS 4/500

5 Años Garantía
Years Guarantee
Jahre Garantie
Ans Garantie
SIMONRACK



*MEDIDAS EN USO • USED MEASUREMENTS
MASSNAHMEN IM EINSATZ • MESURES EN EMPLOI:
1481 x 1111 x 510 mm (58.31" x 43.74" x 20.08")



ESTANTERIAS SIMON S.L. B.50.556.463
PG. ALFAMEN C/ POLIGONO C, Nº3
ALFAMEN (ZARAGOZA)

Simon
Rack
SINCE 1964 - MANUFACTURER

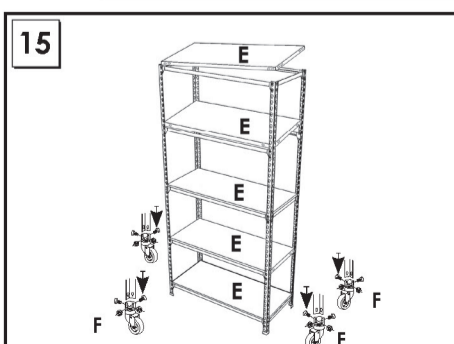
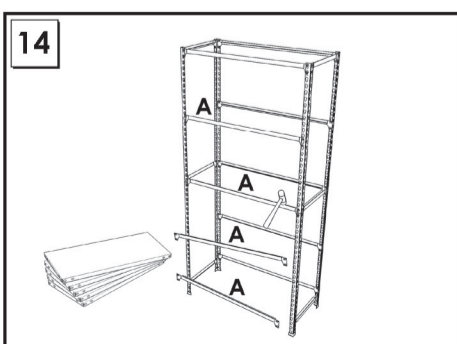
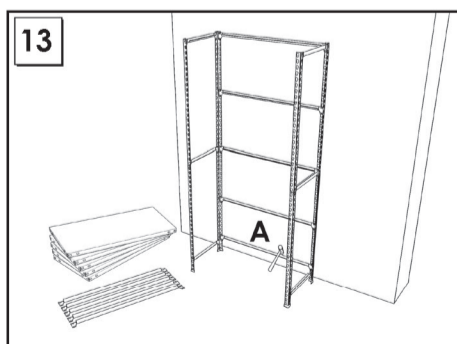
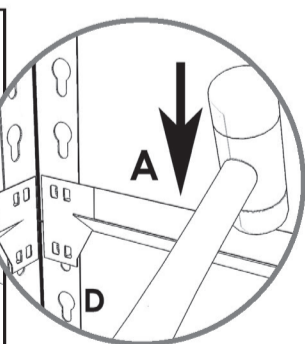
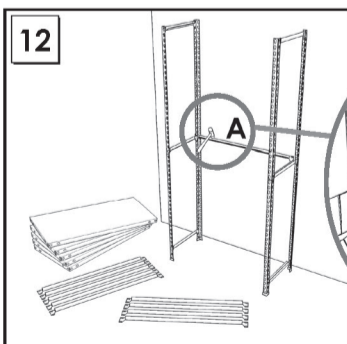
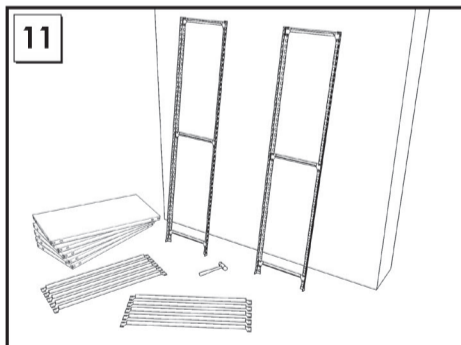
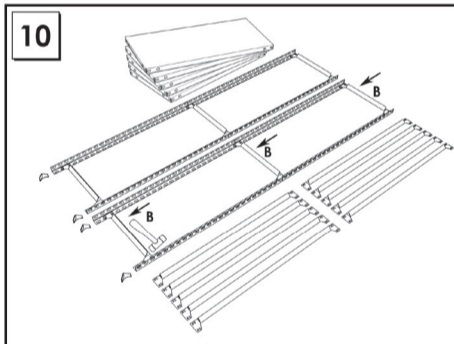
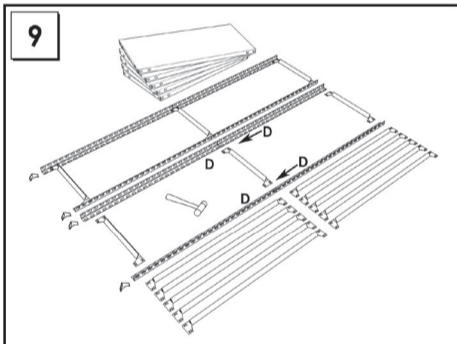
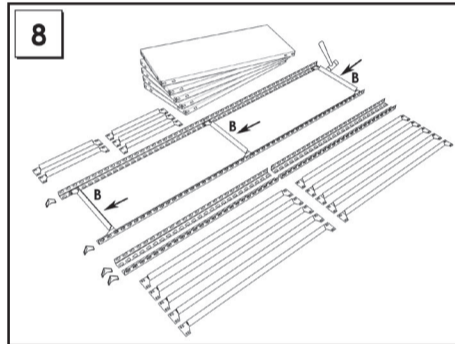
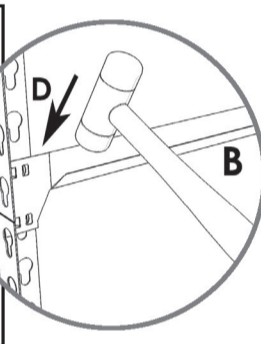
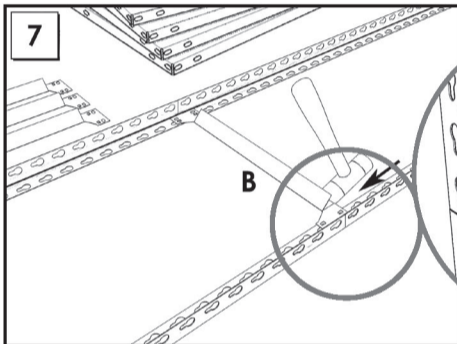
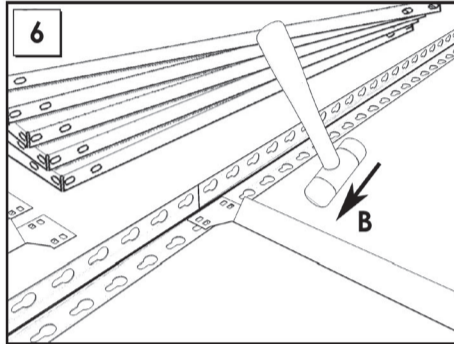
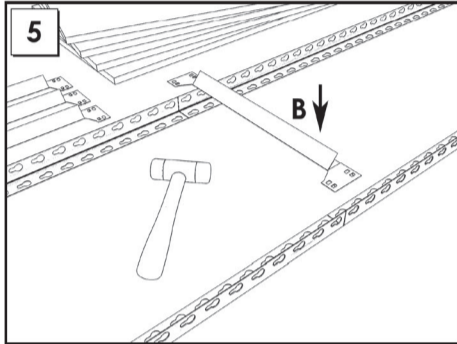
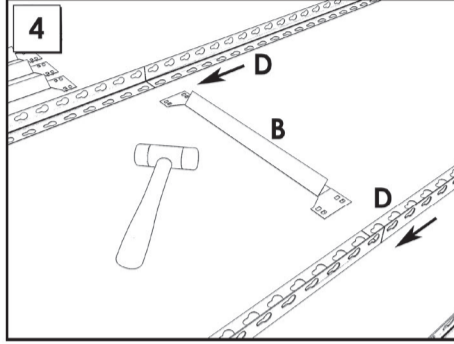
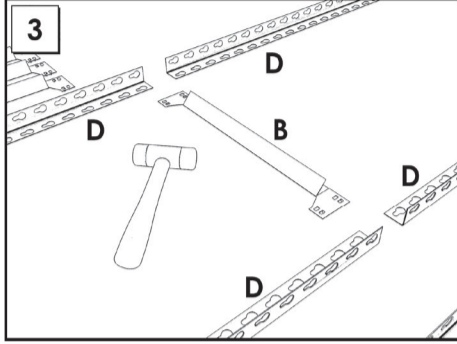
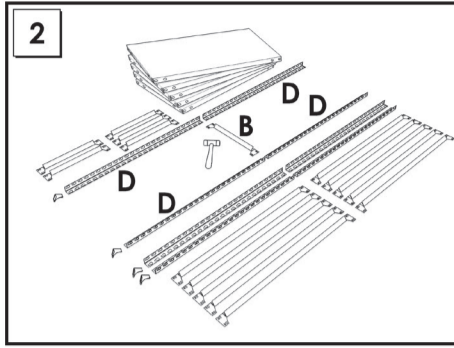
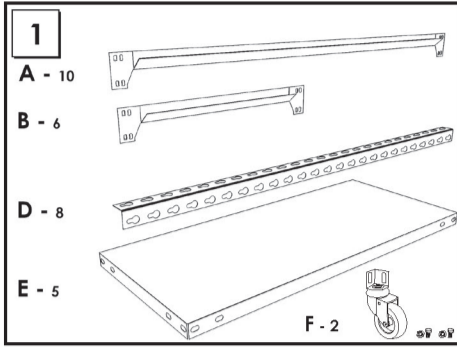


www.simonrack.com



INSTRUCCIONES
INSTRUCTIONS
ANLEITUNG
INSTRUCTIONS

STANDARD MONTAGE



SIMONCLASSIC	
SIMONCLICK	
SIMONTALLER	
SIMONAUTO	
SIMONWORK	
SIMONLOCKER	
SIMONOFFICE	
SIMONHOME	
SIMONGARDEN	
SIMONTITÁN	SIMONINOX
SIMONINDUSTRIAL	
SIMONPALET	SIMONLEVER
<p>ALTILLOS Y PASILLOS ELEVADOS PLATFORMS AND MEZZANINES LAGERBÜHNEN • PLATES-FORMES ET MEZZANINES</p>	

www.simonrack.com • www.simonrack.com • www.simonrack.com • www.simonrack.com • www.simonrack.com • www.simonrack.com • www.simonrack.com • www.simonrack.com • www.simonrack.com • www.simonrack.com

* Kg / lb por bandeja con carga uniformemente repartida
Kg / lb per shelf uniformly distributed load
Kg / lb pro fach bei gleichmäßig verteilter last
Kg / lb par plateau avec charge uniformément répartie