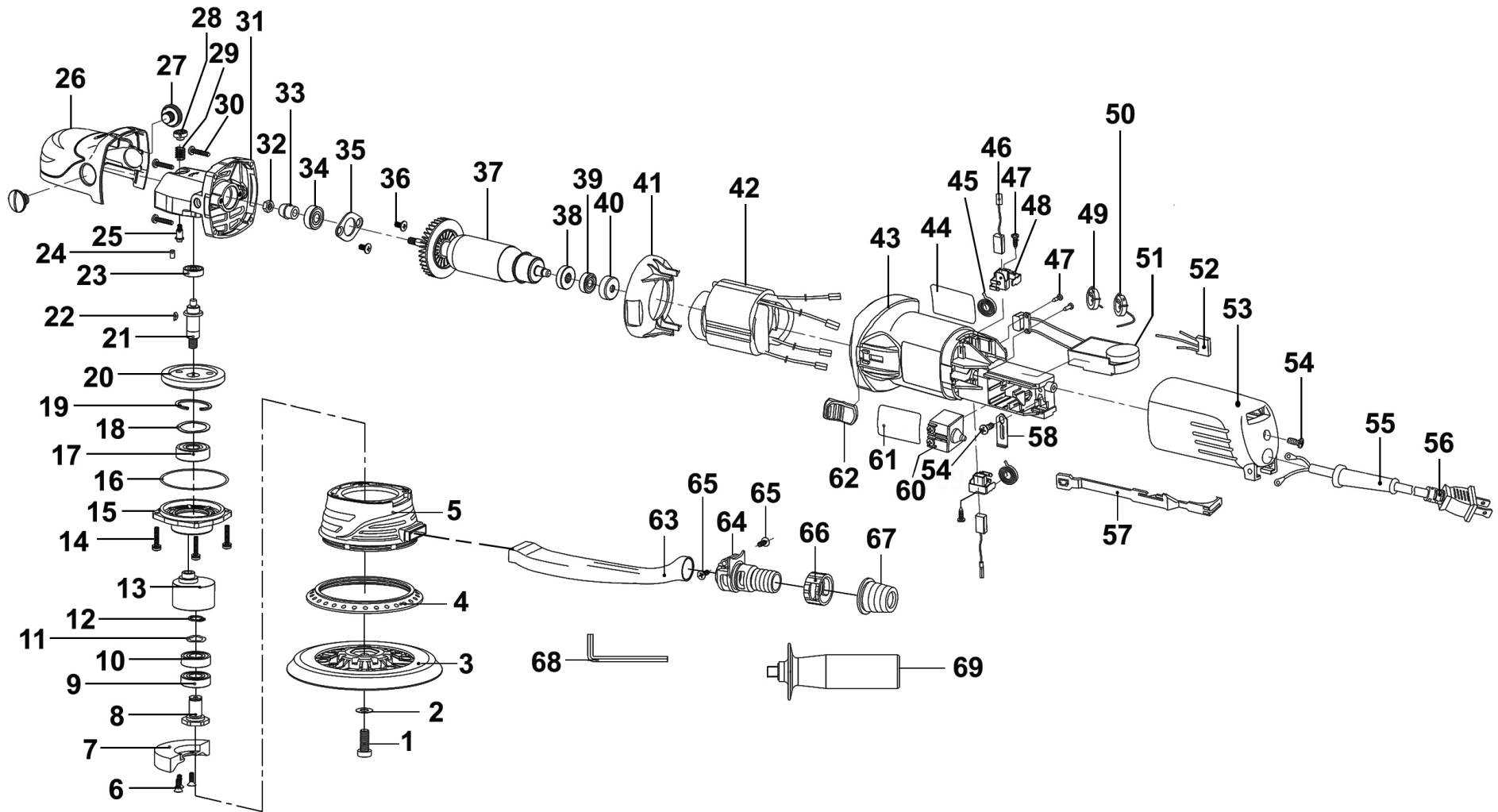




Parts Information:
Random Orbital Electric Sander Ø150mm 600W/230V
Model No: OS600



NOTE: It is our policy to continually improve products and as such we reserve the right to alter data, specifications and component parts without prior notice.

There may be alternative versions of this product, please contact us should you require this information.

IMPORTANT: No liability is accepted for incorrect use of product. Spare parts must be fitted by a competent person

WARRANTY: Guarantee is 12 months from purchase date, proof of which will be required for any claim.

Sealey Group, Kempson Way, Suffolk Business Park, Bury St Edmunds, Suffolk. IP32 7AR



01284 757500



01284 703534



sales@sealey.co.uk



www.sealey.co.uk



Parts Information:
Random Orbital Electric Sander Ø150mm
600W/230V
Model No: OS600

Item	Part No.	Description
1	MSP816.S	Pan Hd Machine Screw M8X16
2	OS600.02	Wave Washer M8
3	AK289	Backing Plate
4	OS600.04	Rubber Ring
5	OS600.05	Guard
6	MSP412.SB	Pan Hd Machine Screw M4x12
7	OS600.07	Counterweight
8	OS600.08	Shaft
9	B/6001-2RS	Bearing 6001-2rs
10	B/6001ZZ	Bearing 6001zz
11	OP750.67	Crinkle Washer 12mm
12	OS600.12	Circlip For Shaft
13	OS600.13	Eccentric Block
14	MSP418.S	Pan Hd Machine Screw M4x18
15	OS600.15	Gear Case Cover
16	OS600.16	O-Ring 60x1.1
17	B/6201-2RS	Bearing 6201-2rs
18	OS600.18	Wave Washer M32
19	OS600.19	Circlip 32mm
20	OS600.20	Gear
21	OS600.21	Output Shaft
22	OS600.22	Key 3x10
23	B/626ZZ	Bearing 626zz
24	OS600.24	Rubber Pin
25	OS600.25	Spindle-Lock Pin
26	OS600.26	Plastic Cover Case
27	OS600.27	Plastic Cover Screw
28	OS600.28	Lock Pin Cap
29	OS600.29	Lock Pin Spring
30	OS600.30	S/t Screw M4.2x20
31	OS600.31	Gear Case
32	SN6.S	Steel Nut M6 Zinc
33	OS600.33	Pinion
34	B/608-2RS	Bearing 608-2rs

Item	Part No.	Description
35	OS600.35	Bearing Clamp
36	MSPS12.S	Pan Hd Machine Screw M5X12
37	OS600.37	Armature
38	OS600.38	Magnetic Ring
39	B/607-2RS	Bearing 607-2rs
40	OS600.40	Rubber Bearing Seat
41	OS600.41	Air Guard
42	OS600.42	Field Coil
43	OS600.43	Field Coil Case
44	OS600.44	Label (Speed)
45	OS600.45	Carbon Brush Spring
46	OS600.46	Carbon Brush (Pair)
47	SG115.V2-39	S/t Screw M2.9x8
48	OS600.48	Carbon Brush Holder
49	OS600.49	Inductor (Short)
50	OS600.50	Inductor (Long)
51	OS600.51	Speed Control Ass'y
52	OS600.52	Capacitor
53	OS600.53	Rear Cover
54	G1000EV-CP7	S/t Screw M4.2x13
55	OS600.55	Cord Sleeve
57	OS600.57	Switch Push Lever
58	OS600.58	Cord Clamp
59	G1000EV-CP7	S/t Screw M4.2x13
60	OS600.60	Switch
61	OS600.61	Label (Product)
62	SPK600.52	Switch Push Button
63	OS600.63	Dust Exhaust Pipe
64	OS600.64	Dust Exhaust Pip Adaptor
65	SM355D.55	Screw st4.2x14
66	OS600.66	Air Volume Regulation Circle
67	OS600.67	Dust Exhaust Adaptor 35mm
68	SO1090.34	Hex Key 5mm
69	OS600.69	Side Handle

NOTE: It is our policy to continually improve products and as such we reserve the right to alter data, specifications and component parts without prior notice. There may be alternative versions of this product, please contact us should you require this information.

IMPORTANT: No liability is accepted for incorrect use of product. Spare parts must be fitted by a competent person

WARRANTY: Guarantee is 12 months from purchase date, proof of which will be required for any claim.

Sealey Group, Kempson Way, Suffolk Business Park, Bury St Edmunds, Suffolk. IP32 7AR



01284 757500



01284 703534



sales@sealey.co.uk



www.sealey.co.uk