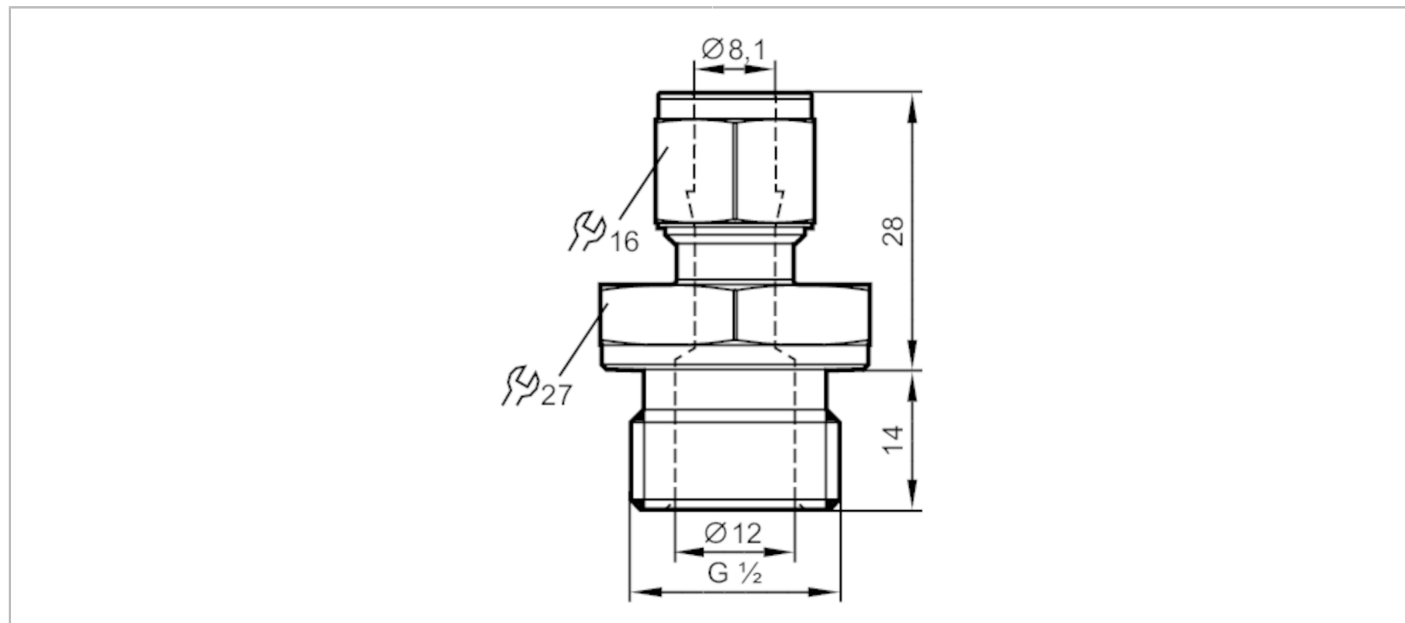


E40267



Progressive ring fitting

COMPRESSION FITTING G1/2 METALLIC SEALIN



ACS KTW/W270 Reg31

Application	
Pressure rating	[bar] 50
Mechanical data	
Weight	[g] 93.5
Materials	stainless steel (1.4404 / 316L)
Tightening torque	[Nm] 100
Process connection	G 1/2
Remarks	
Pack quantity	1 pcs.