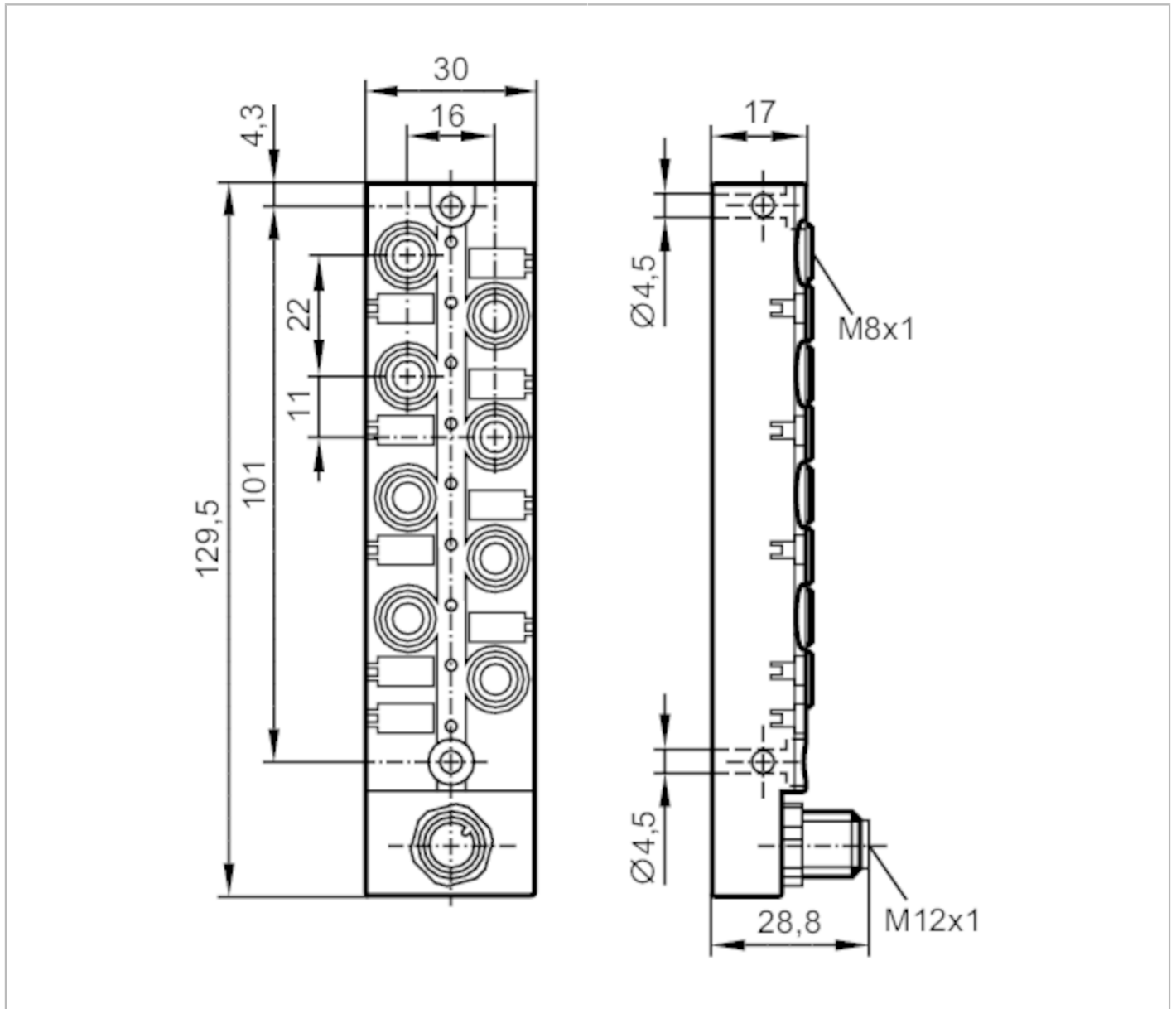


EBC138



Splitter box

ZDO8F039MSS0000---STGH120MSS



Application	
Special feature	Gold-plated contacts
Electrical data	
Operating voltage [V]	15...30 DC; ("supply class 2" to cULus)
Protection class	III
Max. current load per module/slot [A]	2
Max. current load total [A]	2
Outputs	
Electrical design	PNP
Operating conditions	
Ambient temperature [°C]	-25...80
Ambient temperature (moving) [°C]	-5...60
Protection	IP 67; IP 68; (1 m / 7 days)

EBC138



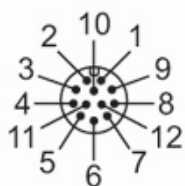
Splitter box

ZDO8F039MSS0000---STGH120MSS

Mechanical data		
Weight	[g]	128.5
Materials	PBT-GF20; brass nickel-plated	
Number of ports splitter box	8	
Connector type	M8	
Displays / operating elements		
Display	switching status	8 x LED, yellow
	operation	1 x LED, green
Accessories		
Accessories (optional)	Protective caps, for M8 sockets, E73005	
Remarks		
Pack quantity	1 pcs.	

Electrical connection - Connection

Connector: 1 x M12; Moulded body: PBT-GF 20 / brass, nickel-plated; Contacts: gold-plated; Tightening torque: 0.8...1.5 Nm



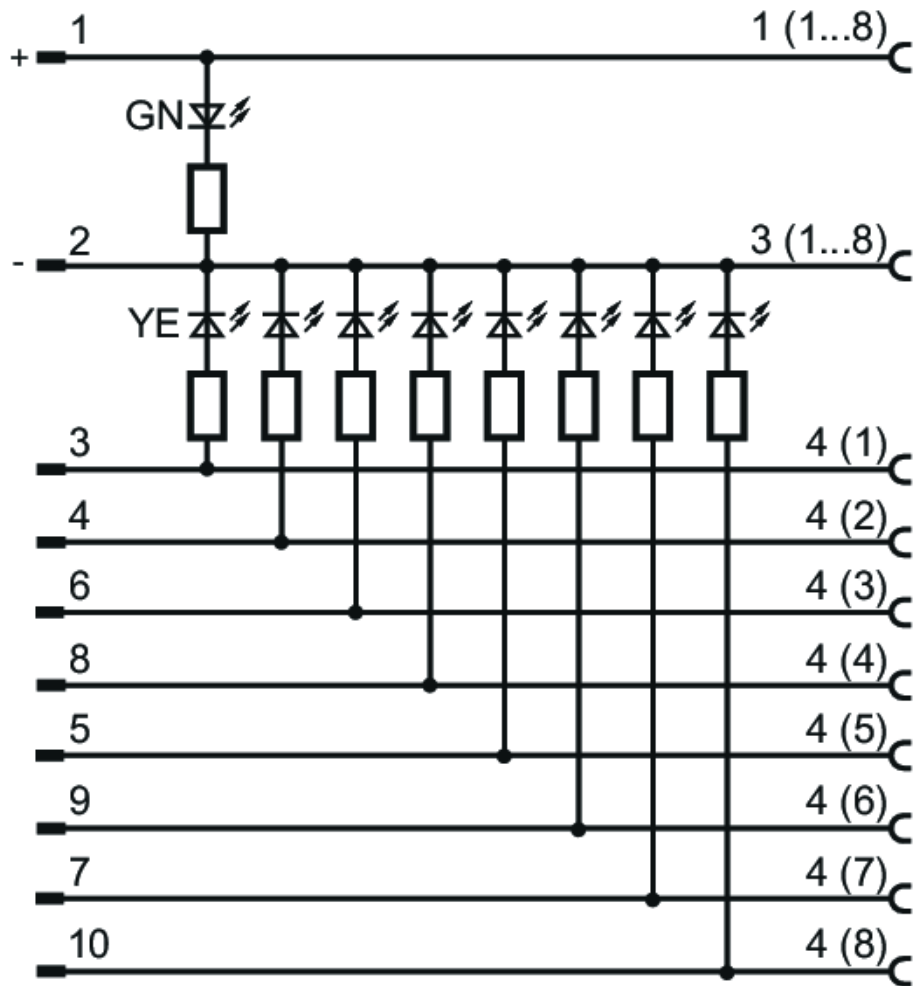
EBC138



Splitter box

ZDO8F039MSS0000---STGH120MSS

Connection



Electrical connection - slot

Connector: 8 x M8; Moulded body: PBT-GF 20 / brass, nickel-plated; Contacts: gold-plated; Tightening torque: 0.8...1.5 Nm

