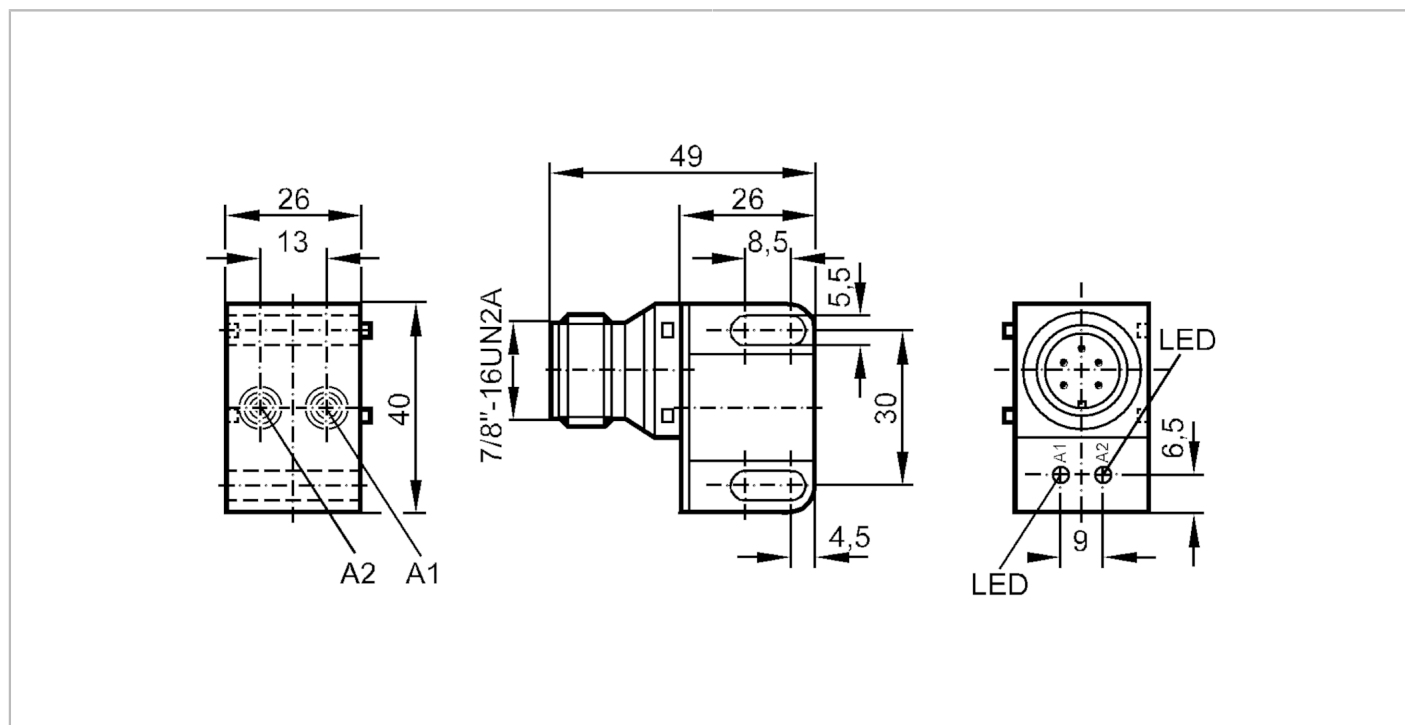


IN0118



Inductive dual sensor for valve actuators

IND2004DAROA/SL/LS-500/1.7 RT



Product characteristics	
Electrical design	series connection possible
Output function	2 x normally open
Sensing range [mm]	4
Housing	rectangular
Electrical data	
Frequency AC [Hz]	47...63
Operating voltage [V]	20...140 AC / 10...140 DC
Protection class	I
Reverse polarity protection	no

IN0118



Inductive dual sensor for valve actuators

IND2004DAROA/SL/LS-500/1.7 RT

Outputs		
Electrical design	series connection possible	
Output function	2 x normally open	
Max. voltage drop switching output DC [V]	5	
Max. voltage drop switching output AC [V]	5	
Minimum load current [mA]	5	
Max. leakage current [mA]	1.7	
Permanent current rating of switching output AC [mA]	200	
Permanent current rating of switching output DC [mA]	200	
Switching frequency AC [Hz]	25	
Switching frequency DC [Hz]	25	
Short-circuit proof	no	
Overload protection	no	
Detection zone		
Sensing range [mm]	4	
Real sensing range S_r [mm]	$4 \pm 10\%$	
Operating distance [mm]	0...3.25	
Accuracy / deviations		
Correction factor	steel: 1 / stainless steel: 0.7 / brass: 0.5 / aluminium: 0.4 / copper: 0.3	
Hysteresis [% of S_r]	1...15	
Switch point drift [% of S_r]	-10...10	
Operating conditions		
Ambient temperature [°C]	-25...80	
Protection	IP 67	
Tests / approvals		
EMC	EN 60947-5-2	
	EN 55011	class B
MTTF [years]	514	
UL approval	Ta	0...40 °C
	Enclosure type	Type 1
	voltage supply	Hazardous voltage
	File number UL	E174191
Mechanical data		
Weight [g]	79	
Housing	rectangular	
Mounting	non-flush mountable	
Materials	PBT	
Displays / operating elements		
Display	switching status	2 x LED, red
Electrical connection		
Required protection	miniature fuse to IEC60127-2 sheet 1; ≤ 2 A; fast acting	

IN0118



Inductive dual sensor for valve actuators

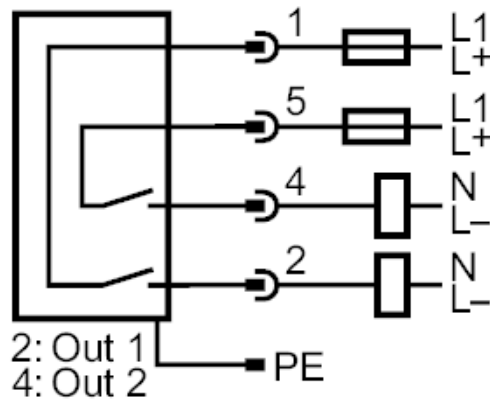
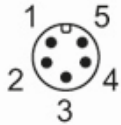
IND2004DAROA/SL/LS-500/1.7 RT

Remarks

Remarks	Recommendation: Check the safe functioning of the unit after a short circuit.
Pack quantity	1 pcs.

Electrical connection - plug

Connector: 1 x 7/8"



Note miniature fuse to IEC60127-2 sheet 1 ≤ 2 A fast acting