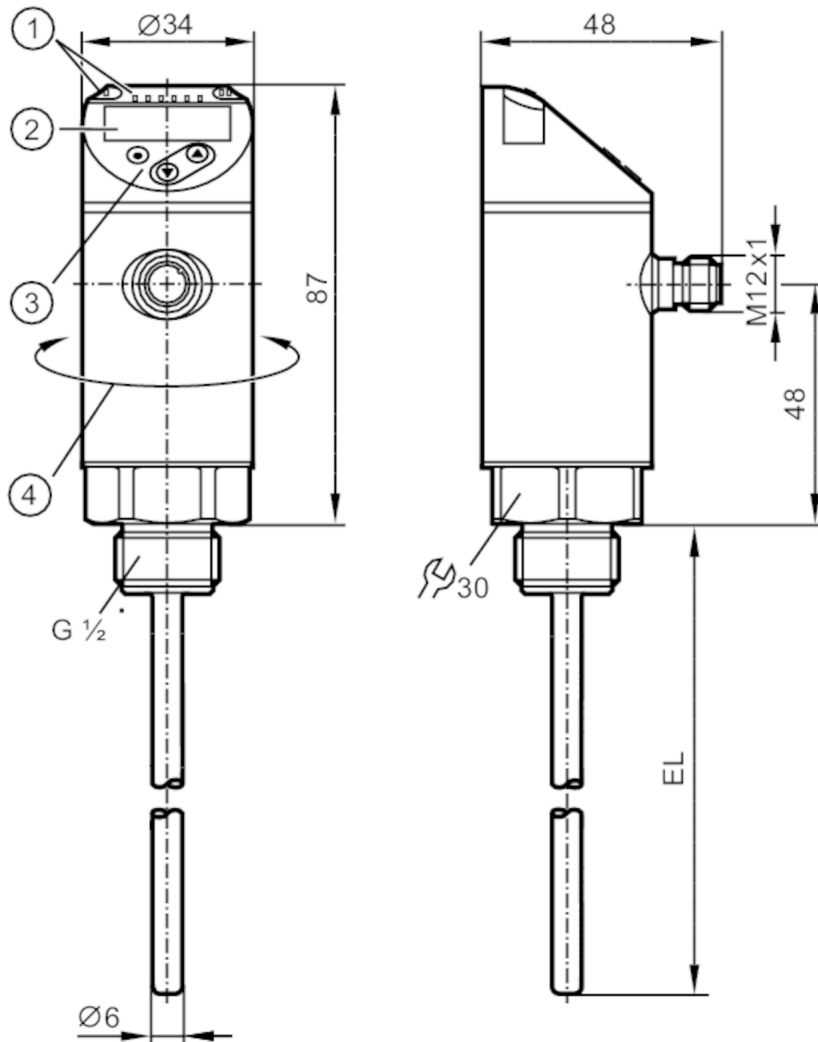


TN2445



Temperature sensor with display

TN-150KLBM12-MFRKG/US/ IV



- 1 LEDs Display unit / switching status
- 2 alphanumeric display 4-digit red/green
- 3 programming buttons
- 4 upper part of the housing can be rotated 345°



Product characteristics

Number of inputs and outputs	Number of digital outputs: 2; Number of analogue outputs: 1	
Measuring range	-50...150 °C	-58...302 °F
Process connection	threaded connection G 1/2	
Installation length EL [mm]	150	

Application

Special feature	Gold-plated contacts
Measuring element	1 x Pt 1000; (to DIN EN 60751, class A)
Media	liquids and gases
Pressure rating [bar]	250



Temperature sensor with display

TN-150KLBM12-MFRKG/US/ IV

Electrical data		
Operating voltage	[V]	18...32 DC; ("supply class 2" to cULus)
Current consumption	[mA]	< 50
Protection class		III
Reverse polarity protection		yes
Power-on delay time	[s]	1
Integrated watchdog		yes
Inputs / outputs		
Number of inputs and outputs		Number of digital outputs: 2; Number of analogue outputs: 1
Outputs		
Total number of outputs		2
Output signal		switching signal; analogue signal; IO-Link; (configurable)
Electrical design		PNP/NPN
Number of digital outputs		2
Output function		normally open / normally closed; (parameterisable)
Max. voltage drop switching output DC	[V]	2.5
Permanent current rating of switching output DC	[mA]	250
Number of analogue outputs		1
Analogue current output	[mA]	4...20
Max. load	[Ω]	500
Analogue voltage output	[V]	0...10
Min. load resistance	[Ω]	2000
Short-circuit protection		yes
Type of short-circuit protection		pulsed
Overload protection		yes
Measuring/setting range		
Measuring range		-50...150 °C -58...302 °F
Factory setting		-50...150 °C
Set point SP		-49.8...150 °C -57.6...302 °F
Reset point rP		-50...149.8 °C -58...301.6 °F
Analogue start point		-50...145 °C -58...293 °F
Analogue end point		-45...150 °C -49...302 °F
In steps of		0.1 °C 0.1 °F
Resolution		
Resolution of switching output	[K]	0.1
Resolution of analogue output	[K]	current output: MS / 4096; voltage output: MS / 3561
Resolution of display	[K]	0.1

TN2445



Temperature sensor with display

TN-150KLBM12-MFRKG/US/ IV

Accuracy / deviations		
Switch point accuracy [K]		$\pm 0,3 + (\pm 0,1 \% MS)$
Precision analogue output [K]		$\pm 0,3 + (\pm 0,1 \% MS)$
Display accuracy [K]		$\pm 0,3 + (\pm 0,1 \% MS)$
Temperature coefficient [% of the span / 10 K]		0,1; (in case of deviation from the reference condition $25 \pm 5 \text{ }^\circ\text{C}$)
Response times		
Dynamic response T05 / T09 [s]		1 / 3; (to DIN EN 60751)
Software / programming		
Parameter setting options		hysteresis / window; normally open / normally closed; switching logic; switch-on/switch-off delay; Damping; Display unit; current/voltage output
Interfaces		
Communication interface		IO-Link
Transmission type		COM2 (38,4 kBaud)
IO-Link revision		1.1
Operating conditions		
Ambient temperature [°C]		-25...80
Storage temperature [°C]		-40...100
Protection		IP 67
Tests / approvals		
EMC	DIN EN 61000-6-2	
	DIN EN 61000-6-3	
Shock resistance	DIN IEC 68-2-27	50 g (11 ms)
Vibration resistance	DIN EN 60068-2-6	20 g (10...2000 Hz)
MTTF [years]		207
UL approval	UL Approval no.	K015
Mechanical data		
Weight [g]		311
Materials		stainless steel (1.4404 / 316L); PBT+PC-GF30; PBT-GF20; PC
Materials (wetted parts)		stainless steel (1.4404 / 316L); O-ring: FKM
Process connection		threaded connection G 1/2
Installation length EL [mm]		150
Displays / operating elements		
Display	Display unit	2 x LED, green
	switching status	2 x LED, yellow
	measured values	alphanumeric display, red/green 4-digit
Remarks		
Remarks		MS = set measuring span The values for accuracy apply to flowing water.
Pack quantity		1 pcs.
Electrical connection		
Connector: 1 x M12; Contacts: gold-plated		

TN2445

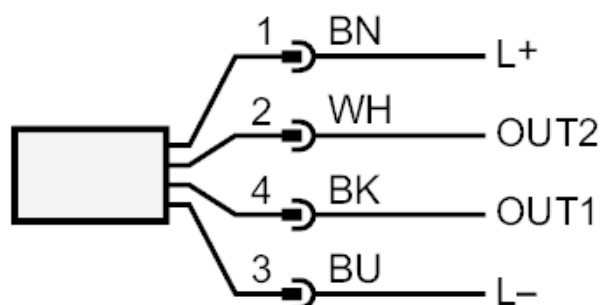


Temperature sensor with display

TN-150KLBM12-MFRKG/US/ IV



Connection



OUT1: switching output / IO-Link
OUT2: switching output / analogue output
colours to DIN EN 60947-5-2

Core colours :

BK = black
BN = brown
BU = blue
WH = white