



Part no.: 424423
BT-2SB10-S
Mounting bracket set

Figure can vary

Contents

- Technical data
- Dimensioned drawings

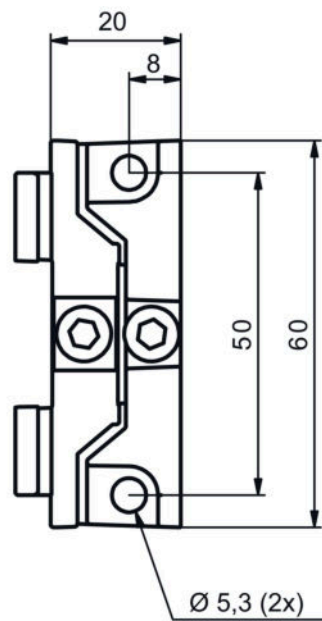
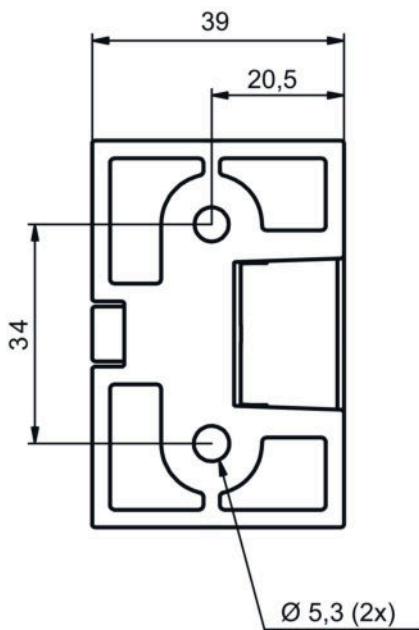
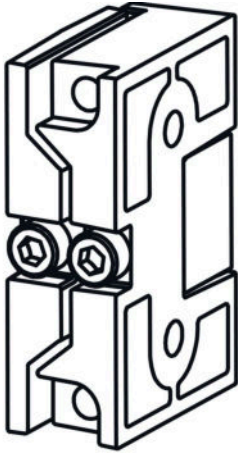
Part no.: 424423 – BT-2SB10-S – Mounting bracket set

Technical data

Basic data	
Contains	2x BT-SB10-S
Suitable for	CML700i light curtains CSL 710 light curtains Especially for devices with large protective field height MLC 500, MLC 300 safety light curtains MLD 500, MLD 300 multiple light beam safety devices Single light beam safety devices MLD500
Mechanical data	
Design of mounting device	Mounting clamp
Type of fastening, at system	Through-hole mounting
Type of fastening, at device	Clampable On the lateral C-groove
Type of mounting device	Swiveling with vibration damper
Swivel range	-8 ... 8 °
Mounting device material	Metal
Classification	
Customs tariff number	73182900
eCl@ss 8.0	27279202
eCl@ss 9.0	27273701
ETIM 5.0	EC003015
ETIM 6.0	EC003015

Dimensioned drawings

All dimensions in millimeters



Mounting variants

