

MASI67 I/O MODULE

4 digital inputs, 4 digital outputs

Digital inputs and outputs

DI4 - 1.6 A DO4 - 2 A 4×M12

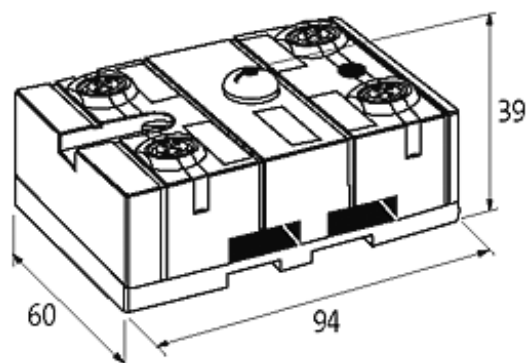
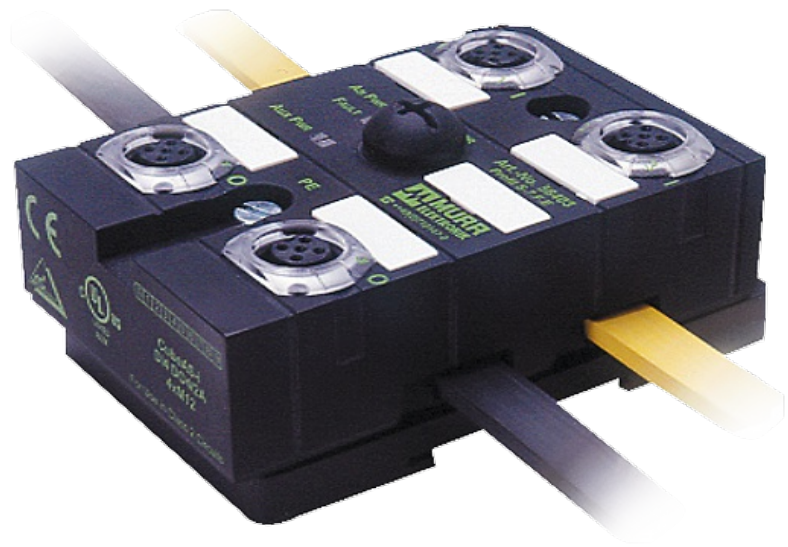
Double assignment of M12 females, PIN 2 + 4

Sensor supply from external 24 V DC

For connection cables please see chapter "Connection Technology" All housings are fully potted

[Link to Product](#)

Illustration



Product may differ from Image

Approvals



Input

Sensor supply US	max. 1.6 A external, (short-circuit and overload protected)
Type	for 3-wire sensors or mechanical switches, PNP, (EN 61131-2)

Technical Data

Bus voltage (AS-Interface)	26.5...31.6 V DC
Total current	max. 50 mA
Addressing	via built-in address port or master
Address range	1...31
Profile (IO/ID/ID2 code)	S-7.F.E
Double assignment of M12 female	yes

General data

Protection	IP67
Mounting method	DIN-rail mountable (EN 60715) or screw fixing
Connection	AS-Interface profile cable (black)
Temperature range	-20...+60 °C (storage temperature -20...+70 °C)
Dimensions H × W × D	94×60×39 mm

Output

Actuator supply UA	24 V DC external (18...30.2 V DC) EN 61131-2
Switching current per output	max. 2 A (short-circuit and overload protected)
Total current	max. 8 A

Diagnostic

Communication status	via LED
Diagnostic via LED	per module
Monitoring - no voltage	yes

Commercial data

country of origin	DE
customs tariff number	85176200
minimum order quantity	1