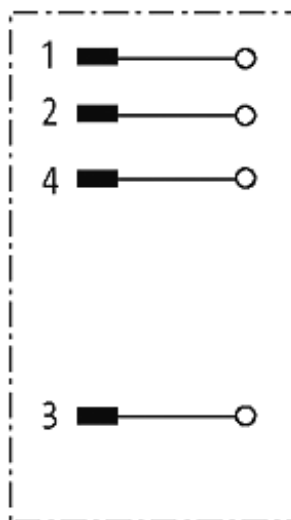


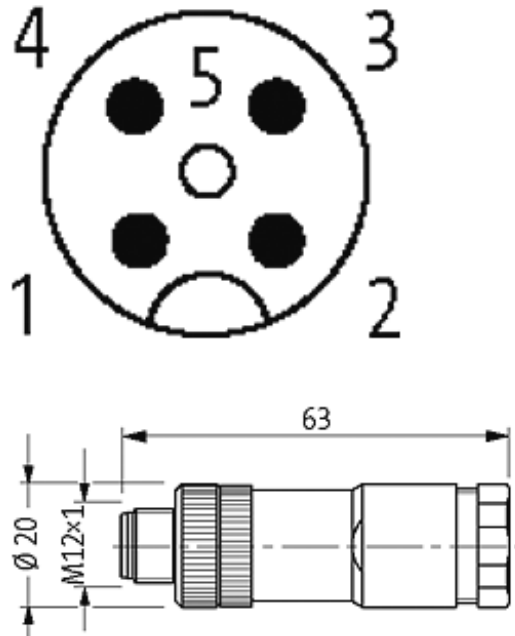
M12 MALE 0° FIELD-WIREABLE

M12
Male straight
4-pole
Screw terminals

Plastic housings with good resistance against chemicals and oils. The resistance to aggressive media should be individually tested for your application. Further details on request.

[Link to Product](#)**Illustration**

Male



Product may differ from Image

Form

12745

Technical Data

Operating voltage	max. 250 V AC/DC
Operating current per contact	max. 8 A
Connection cross section	max. 1.5 mm ²
Sealing range (cable diameter)	8...10 mm
Protection	IP67 inserted and tightened (EN 60529)

General data

Temperature range	-25...+85 °C
-------------------	--------------

Commercial data

country of origin	DE
customs tariff number	85369010
minimum order quantity	1