



### Model Number

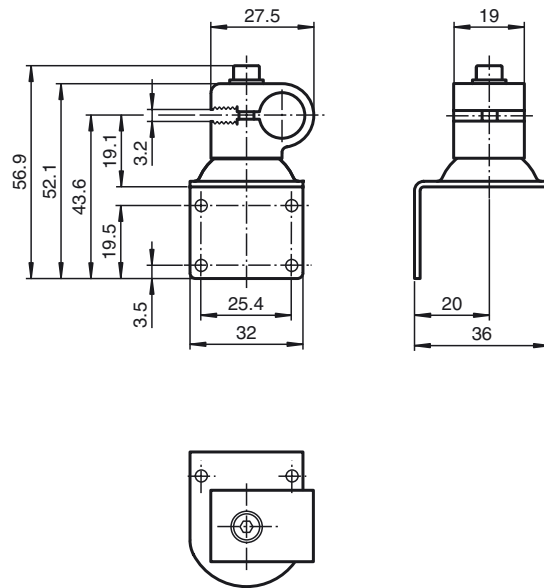
**OMH-ML100-03**

Mounting aid for round steel  $\varnothing$  12 mm or sheet 1.5 mm ... 3 mm

### Features

- Bracket for round steel or sheet
- Simple and fast mounting

### Dimensions



### Technical data

#### Mechanical specifications

Material	Stainless steel
Mass	approx. 20 g
Mounting	Mounting accessories included

#### Suitable series

Series	ML100
--------	-------