

BUSBAR ADAPTER SYSTEM TERMINAL WITH STUD BOLT M10 FOR CABLE LUGS UP TO 240MM<sup>2</sup> FOR 10MM BUSBAR THICKNESS AS WELL AS FOR T- AND DOUBLE-T-PROFILE

Model

product brand name	SENTRON
--------------------	---------

General Product Approval	Declaration of Conformity	Test Certificates	Shipping Approval
--------------------------	---------------------------	-------------------	-------------------



[Special Test Certificate](#)



Shipping Approval	other
-------------------	-------



[other](#)

Further information

**Information- and Downloadcenter (Catalogs, Brochures,...)**

<http://www.siemens.com/lowvoltage/catalogs>

**Industry Mall (Online ordering system)**

<https://eb.automation.siemens.com/mall/en/WW/Catalog/Product/8US19412AC00>

**Service&Support (Manuals, Certificates, Characteristics, FAQs,...)**

<http://support.automation.siemens.com/WW/view/en/8US19412AC00/all>

**Image database (product images, 2D dimension drawings, 3D models, device circuit diagrams, ...)**

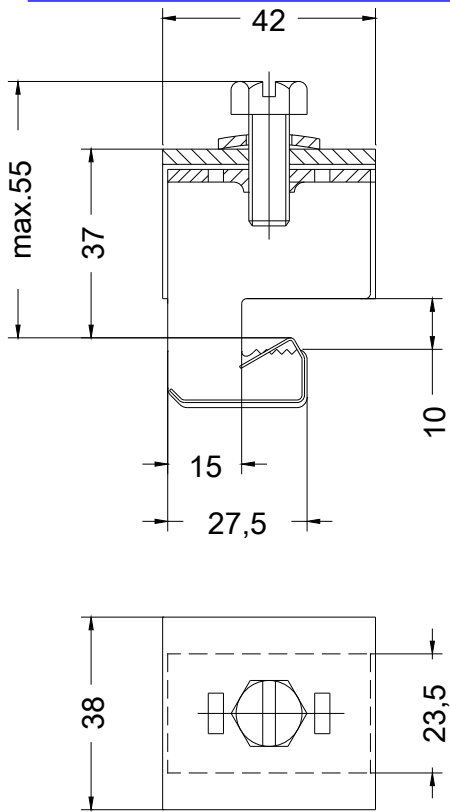
[http://www.automation.siemens.com/bilddb/cax\\_en.aspx?mlfb=8US19412AC00](http://www.automation.siemens.com/bilddb/cax_en.aspx?mlfb=8US19412AC00)

**CAX-Online-Generator**

<http://www.siemens.com/cax>

**Tender specifications**

<http://ausschreibungstexte.siemens.com/tiplv>



last modified:

11.03.2015