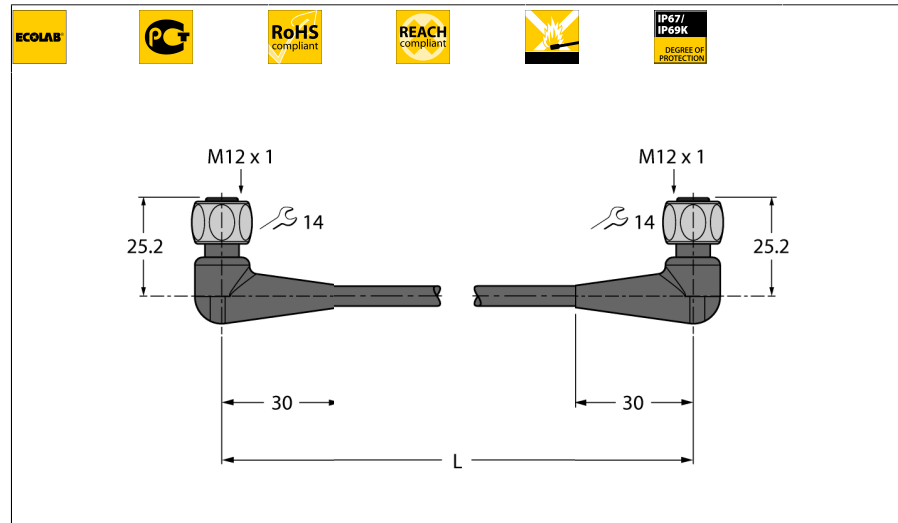


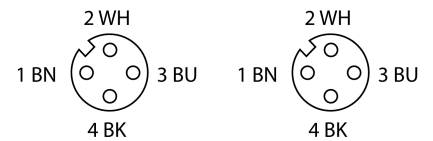
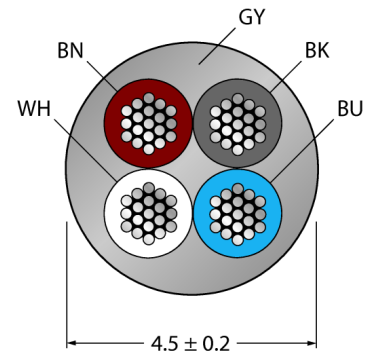
**Food & Beverage Hygienic, PVC
Extension Cable
WKH4.4-50-WKH4.4/TFE**



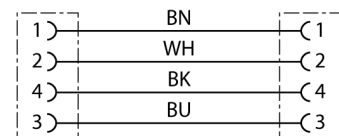
- M12 female connector, angled, 4-pin
- Stainless steel coupling nut/screw
- M12 female connector, angled, 4-pin
- Sheath material: PVC
- Sheath color: gray RAL 7040
- Resistant to acids and alkalis
- Resistant to oils and chemicals
- Flame-retardant acc. to DIN EN 60332 1-2, DIN EN 60332 2-2, VDE 0482 332-1-2, VDE 0482 332-2-2
- Approvals: cULus, Gost, Ecolab
- RoHS and REACH compliant
- Protection classes IP67, IP69K
- Cable length: 50 m

Type designation	WKH4.4-50-WKH4.4/TFE
Ident no.	6934223
Connector A side	
Number of pins	Female connector, M12 1, Angled
Contacts	4
Contact carriers	Brass, CuZn, Gold-plated
Grip	Plastic, PP, Gray
Coupling nut/screw	Plastic, PP, Gray
Seal	Stainless steel, V4A
Protection class	Plastic, FPM/FKM
Mechanical lifespan	IP67, IP69K, A + B side screwed together
Pollution degree	> 100 Mating cycles
Tightening torque	3
	0.8 ... 1 Nm
	(observe max. torque of counter piece!)
Connector B side	
Number of pins	Female connector, M12 x 1, Angled
Contacts	4 pins
Contact carriers	brass, CuZn, Gold-plated
Grip	Plastic, PP, Gray
Seal	plastic, TPU, gray
Coupling nut/screw	plastic, FPM/FKM
Protection class	Stainless steel, V4A
Mechanical lifespan	IP67, IP69K, Only when screwed tight
Pollution degree	> 100 Mating cycles
Tightening torque	3
	0.8 ... 1 Nm
	(observe max. torque of counter piece!)
General data	
Cable diameter	4.5 ± 0.20mm
Cable length	50 m
Cable quality	PVC
Cable color	Gray
Core insulation	PVC
Core colors	BN, WH, BU, BK
Core cross-section	4x0.34mm ²
Arrangement of strands	19x0.15 mm
Electrical features at +20 °C	
Current	4 A
Rated voltage	250 V
Test voltage	1500 V

Cable Cross-section



Circuit Diagram



**Food & Beverage Hygienic, PVC
Extension Cable
WKH4.4-50-WKH4.4/TFE**

TURCK

Industrial
Automation

Mechanical and chemical properties

Bending radius (stationary laying)	> 3 x Ø
Bending radius (flexible use)	> 10 x Ø
Ambient temperature	
Stationary	-25...+80°C
In motion	0...+80°C