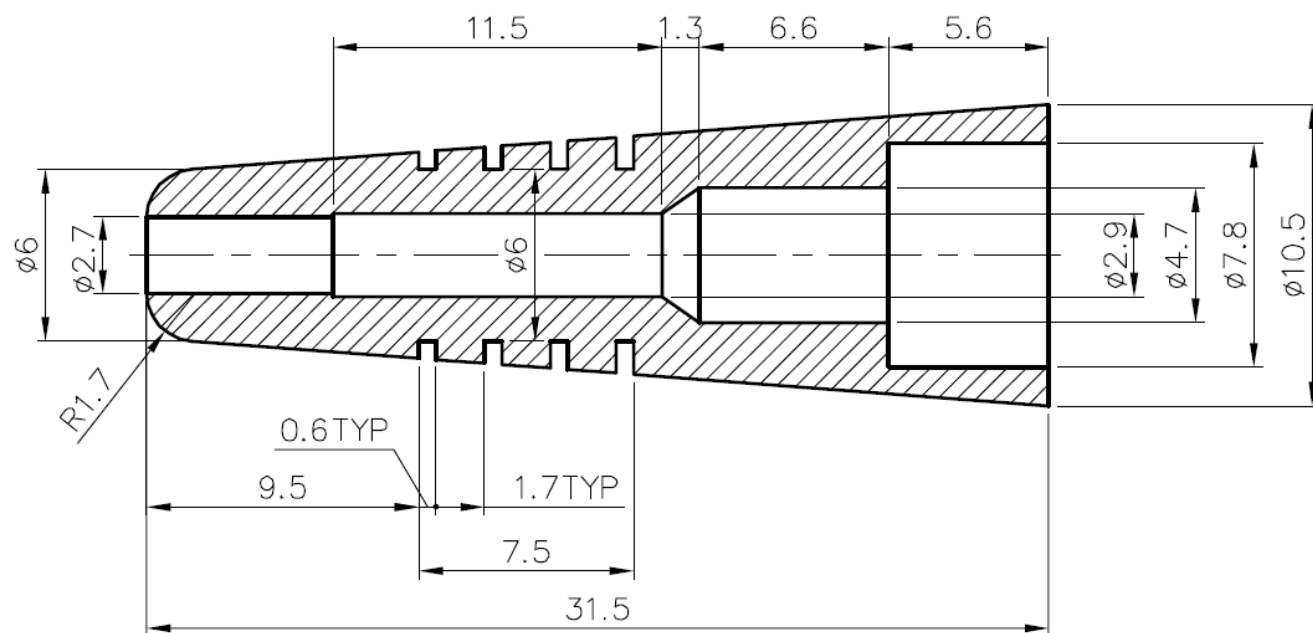




DESCRIPTION: BOOT FOR RG-174
 MODEL NUMBER: 25-B174
 APPLICATION: BOOT FOR RG-174
 CRIMP TOOL: N/A
 IMPEDANCE: N/A
 FREQUENCY RANGE: N/A
 MATERIAL: PVC---BLACK
 RoHS COMPLIANCE: YES
 TECHNICAL DETAIL: N/A



		AIM-Cambridge	
	RoHS 2002/95/EC	Title: BOOT FOR RG-174	
<small>This PROPRIETARY Document is property of Emerson Network Power, Connectivity Solutions. It is confidential in nature, non-transferable, and issued with the clear understanding that it is not traced or copied without permission and is replaceable upon demand.</small>	<small>UNLESS OTHERWISE SPECIFIED UNITS: METRIC</small> .XX ±.51 .XXX ±.127 ANGLES ±2°	Model No. 25-B174	
<small>INTERPRET DRAWING IN ACCORDANCE WITH ASME Y14.5-2009.</small>	Size A	DO NOT SCALE DRAWING	Date: 8/15/2013
			Sheet 1 of 1