

**RoHS  
Compliant**



## Description

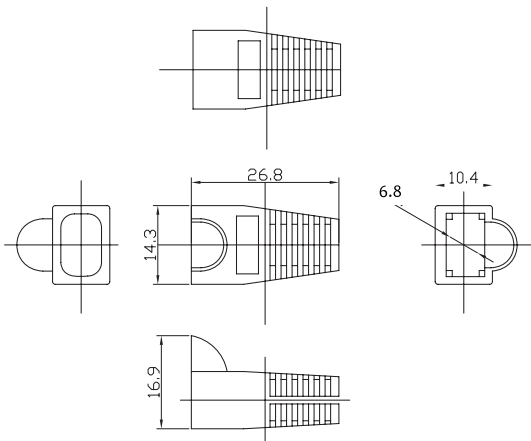
Strain relief boot suitable for standard RJ45 Connectors

## Specifications

Accessory Type : Strain Relief  
 For Use With : RJ45 Connectors  
 Strain Relief Material : PVC

## Part Number Table

## Diagram



Description	Colour	Package	Part Number
Strain Relief Boot, 6.5mm	Beige	50	SH001 6.5 BEIGE 50
	Black	50	SH001 6.5 BLACK 50
	Blue	50	SH001 6.5 BLUE 50
	Green	10	SH001 6.5 GREEN
	Red	50	SH001 6.5 RED 50
	Black	50	SH001 6 BLACK 50
	Blue	50	SH001 6 BLUE 50
	Green	50	SH001 6 GREEN 50
	Grey	50	SH001 6 GREY 50
	Purple	50	SH001 6 PURPLE 50
	Red	50	SH001 6 RED 50
	White	50	SH001 6 WHITE 50
	Yellow	50	SH001 6 YELLOW 50
	Blue	10	SH001 6.5 BLUE
	Grey	10	SH001 6.5 GREY
	Red	10	SH001 6.5 RED
	Black	10	SH001 6.5 BLACK
	Strain Relief Boot, 6mm	Blue	10
Green		10	SH001 6 GREEN
Grey		10	SR001 6 GREY
Purple		10	SH001 6 PURPLE
Red		10	SH001 6 RED
White		10	SH001 6 WHITE
Yellow		10	SH001 6 YELLOW

Dimensions : Millimetres

**Important Notice :** This data sheet and its contents (the "Information") belong to the members of the AVNET group of companies (the "Group") or are licensed to it. No licence is granted for the use of it other than for information purposes in connection with the products to which it relates. No licence of any intellectual property rights is granted. The Information is subject to change without notice and replaces all data sheets previously supplied. The Information supplied is believed to be accurate but the Group assumes no responsibility for its accuracy or completeness, any error in or omission from it or for any use made of it. Users of this data sheet should check for themselves the Information and the suitability of the products for their purpose and not make any assumptions based on information included or omitted. Liability for loss or damage resulting from any reliance on the Information or use of it (including liability resulting from negligence or where the Group was aware of the possibility of such loss or damage arising) is excluded. This will not operate to limit or restrict the Group's liability for death or personal injury resulting from its negligence. Multicomp Pro is the registered trademark of Premier Farnell Limited 2019.

Newark.com/multicomp-pro  
 Farnell.com/multicomp-pro  
 Element14.com/multicomp-pro