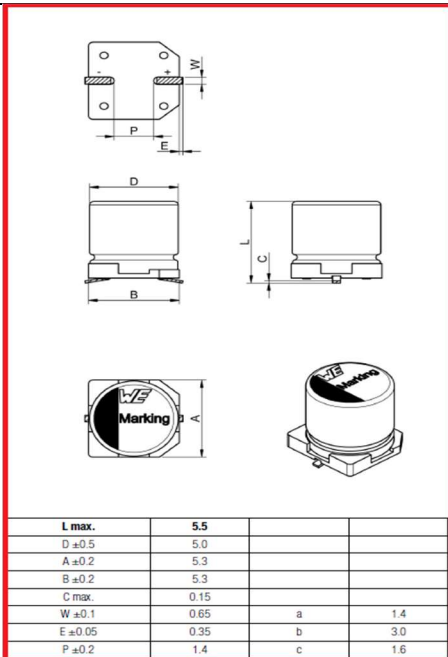
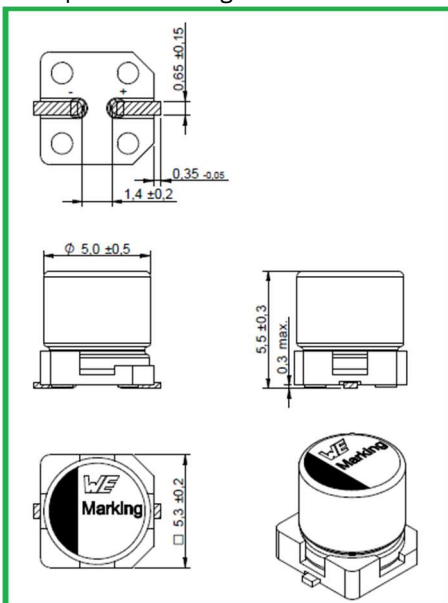




<b>Product / Process Change Notification (PCN)</b>	
<input checked="" type="checkbox"/> Major change <input type="checkbox"/> Minor change	
<b>PCN #:</b> PCN_WCAP-PSLP_20230801  <b>Affected Series:</b> WCAP-PSLP  <b>PCN Date:</b> May 01, 2023  <b>Effective Date:</b> August 01, 2023	<b>Change Category:</b> <input type="checkbox"/> Equipment / Location <input checked="" type="checkbox"/> General Data <input type="checkbox"/> Material <input type="checkbox"/> Process <input type="checkbox"/> Product Design <input type="checkbox"/> Shipping / Packaging <input type="checkbox"/> Supplier <input type="checkbox"/> Software
<b>Contact:</b> Product Management  <b>Phone:</b> +49 (0) 7942 - 945 5001  <b>Fax:</b> +49 (0) 7942 - 945 5179  <b>E-Mail:</b> pcn.eisos@we-online.com	<b>Data Sheet Change:</b> <input checked="" type="checkbox"/> Yes <input type="checkbox"/> No  <b>Attachment:</b> <input type="checkbox"/> Yes <input checked="" type="checkbox"/> No
<b>Description and purpose of change:</b> Because of a database mismatch, Würth Elektronik will update all datasheets by using new datasheet layout for the product series WCAP-PSLP. Furthermore with this layout update Würth Elektronik will correct the electrical and mechanical characteristics. All corrections in terms of electrical characteristics are shown below. This is a datasheet correction only. There will be no change in form, fit, function, quality or reliability of the product.	
<b>Detail of Change:</b> All corrections in terms of mechanical characteristics are shown. In order to visualize the corrections of dimensions example of the old and new drawings are shown below. Würth Elektronik will update the dimensioning from an indirect dimensioning to a direct dimensioning.	



Example for drawings with indirect dimensioning



Example for new drawings with direct dimensioning

**In the meantime the update from indirect dimensioning of the values for the dimensions and tolerances will be also corrected. The upcoming corrections can be seen more detailed in the pictures above.**



- Würth Elektronik will update the **Tolerance of height** from "max" into "±0.3" for following PNs:

875105142001	875105142002	875105142003	875105142004	875105142005	875105142006
875105144007	875105144008	875105144009	875105144010	875105145011	875105240001
875105240002	875105240003	875105242004	875105242005	875105242006	875105242007
875105242008	875105242009	875105242010	875105244011	875105244012	875105244013
875105245014	875105245015	875105359001	875105359002	875105359003	875105359004
875105359005	875105344006	875105344007	875105344008	875105344009	875105344010
875105345011	875105444001	875105444002	875105444003	875105444004	875105445005
875105445006	875105445007	875105544001	875105544002	875105544003	875105545004
875105545005					

- Würth Elektronik will update the **Material thickness Lt** from "0.15 max" into "0.3 max" for following PNs:

875105142001	875105142002	875105142003	875105142004	875105142005	875105142006
875105144007	875105144008	875105144009	875105144010	875105145011	875105240001
875105240002	875105240003	875105242004	875105242005	875105242006	875105242007
875105242008	875105242009	875105242010	875105244011	875105244012	875105244013
875105245014	875105245015	875105359001	875105359002	875105359003	875105359004
875105359005	875105344006	875105344007	875105344008	875105344009	875105344010
875105345011	875105444001	875105444002	875105444003	875105444004	875105445005
875105445006	875105445007	875105544001	875105544002	875105544003	875105545004
875105545005					

- Würth Elektronik will update the **Width tolerance** from "±0.1" into "±0.15" for following PNs:

875105142001	875105142002	875105142003	875105142004	875105142005	875105142006
875105144007	875105144008	875105144009	875105144010	875105145011	875105240001
875105240002	875105240003	875105242004	875105242005	875105242006	875105242007
875105242008	875105242009	875105242010	875105244011	875105244012	875105244013
875105245014	875105245015	875105359001	875105359002	875105359003	875105359004
875105359005	875105344006	875105344007	875105344008	875105344009	875105344010
875105345011	875105444001	875105444002	875105444003	875105444004	875105445005
875105445006	875105445007	875105544001	875105544002	875105544003	875105545004
875105545005					

- Würth Elektronik will update the **Tolerance of Fw1** from "±0.05" into "-0.05" for following PNs:

875105142001	875105142002	875105142003	875105142004	875105142005	875105142006
875105144007	875105144008	875105144009	875105144010	875105145011	875105240001
875105240002	875105240003	875105242004	875105242005	875105242006	875105242007
875105242008	875105242009	875105242010	875105244011	875105244012	875105244013
875105245014	875105245015	875105359001	875105359002	875105359003	875105359004
875105359005	875105344006	875105344007	875105344008	875105344009	875105344010

875105345011 875105444001 875105444002 875105444003 875105444004 875105445005  
875105445006 875105445007 875105544001 875105544002 875105544003 875105545004  
875105545005

- Würth Elektronik will update the Product Marking

Due to the internal standardization the printing of the product series WCAP-PSLP will be updated. Product will change into the following points :

1st Line remains the same. It shows capacitance.

2nd Line will now show the product series and datecode (YWW).

3rd Line will now show rated voltage.



Example for old Marking



Example for new Marking

- Würth Elektronik will update the **Storage Conditions** from "35°C, <45% RH" into "5~35°C; 10~75% RH" for all parts in this product series .
- Würth Elektronik will update the **Tolerance of Dissipation Factor** into "max" for all parts in this product series .
- Würth Elektronik will update the display of the **packaging specification** for all parts of WCAP-PSLP in datasheets. For details please refer to the new datasheets.
- Würth Elektronik will update the general **Cautions and Warnings**. Please refer to datasheets for details.



- Würth Elektronik will update the **ESR (unit : m Ω)** for following parts:

Part numbers	Old ESR	New ESR	Part numbers	Old ESR	New ESR
875105240001	45	80	875105344010	20	30
875105240002	45	80	875105345011	20	25
875105240003	45	80	875105444001	30	40
875105144007	20	22	875105444002	30	35
875105359001	30	40	875105444003	30	35
875105359002	30	40	875105444004	30	35
875105359003	30	40	875105445005	25	30
875105359004	30	40	875105445006	25	30
875105359005	30	40	875105445007	25	30
875105344006	30	35	875105544001	30	35
875105344007	30	35	875105544002	30	35
875105344008	30	35	875105544003	30	35
875105344009	30	35	875105545004	25	30
875105545005	25	30			

**Reliability / Qualification Summary:**

There will be no change of the product, therefore, no additional reliability or qualification testing will be performed.