

# FFC/FPC Connector Single Bottom Contact

0.50/1.00mm Pitch, FS19 Series

**molex**<sup>®</sup>

**Molex's low-profile FFC/FPC connector with Easy On™ front-flip actuator provides secure electrical and mechanical contact for consumer, gaming, office automation and other applications that require space savings and cost performance**

## Features and Benefits

Ultra low profile and narrow width

Offers maximum space savings

Tin-silver-bismuth plating

Prevents plating whiskering that can cause signal intermittency problems; cost savings versus gold-plated types

Secure cable retention force using FFC/FPC with or without retention tabs

Provides secure electrical contact; offers design flexibility and cost-saving option versus standard non-tab FPC

Zero insertion force

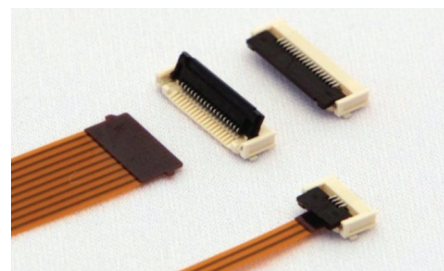
Facilitates easier assembly for operators

Wide range of circuit sizes

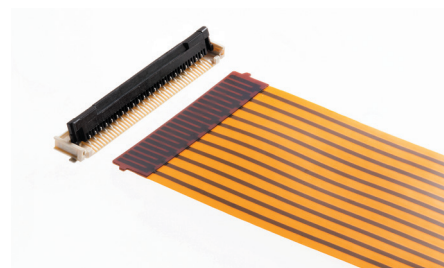
Offers design flexibility

Easy-On™ front-flip actuator

Provides easy cable actuation, robust performance and secure cable contact



0.50mm pitch Easy-On™ Front Flip, ZIF Type FFC/FPC Connector (505278 Series)



1.00mm pitch Easy-On™ Front Flip, ZIF Type FFC/FPC Connector (200529 Series)

## Applications

### Car Infotainment

- Navigation
- Display Audio

### Datacommunications

- Photocopier
- Printer

### Consumer

- TV
- Portable Gaming Machine
- Amusement
- Pachinko



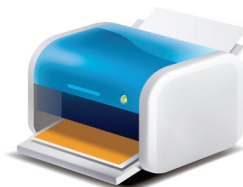
Pachinko Machine



Car Navigation



Portable Gaming Machines



Printer

# FFC/FPC Connector Single Bottom Contact

0.50/1.00mm Pitch, FS19 Series

**molex**<sup>®</sup>

## Specification

### REFERENCE INFORMATION

Packaging: Embossed tape  
Designed In: Millimeters  
RoHS: Yes  
Halogen Free: Low Halogen

### ELECTRICAL

Voltage (max.): 50V  
Current (max.): 0.5A  
Contact Resistance: 40 milliohms max.  
Dielectric Withstanding Voltage: 125V  
Insulation Resistance: 50 Megohm min.

### PHYSICAL

Housing: LCP (Beige)  
Actuator: Polyamide Glass Filled (Black)  
Terminal: Phosphor Bronze  
Fitting Nail: Phosphor Bronze

### MECHANICAL

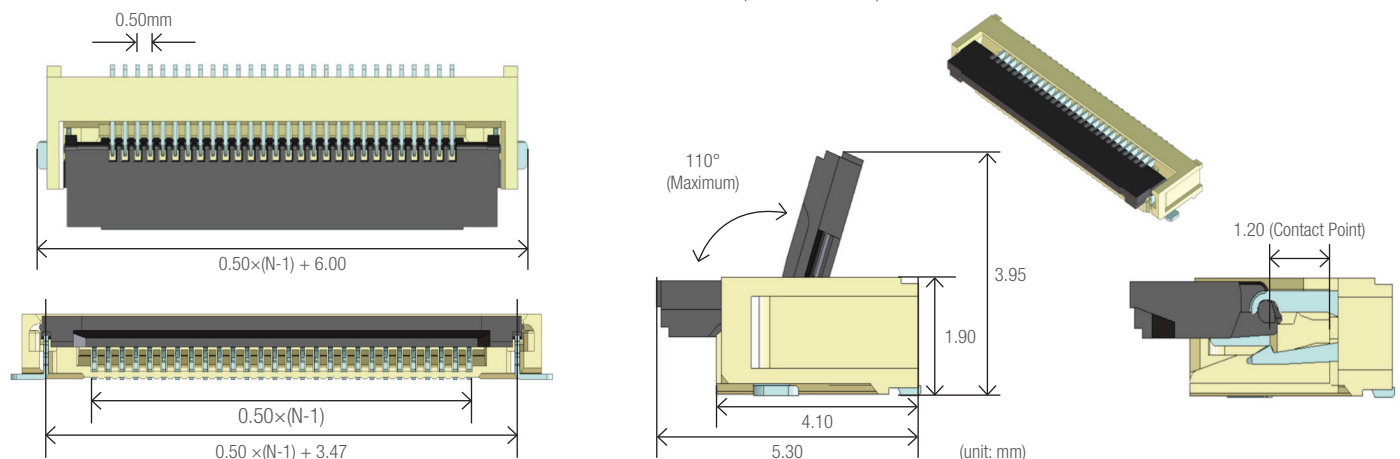
Durability (min.): 25 cycles

### PLATING

Contact Area: Tin Silver Bismuth  
Underplating: Nickel  
Operating Temperature: -40 to +85°C

## Additional Product Features

Dimensional Overview (505278 shown)



## Ordering Information

Circuit Size	Pitch	Order No.
4	0.50mm	<a href="#">505278-0433</a>
5		<a href="#">505278-0533</a>
6		<a href="#">505278-0633</a>
7		<a href="#">505278-0733</a>
8		<a href="#">505278-0833</a>
9		<a href="#">505278-0933</a>
10		<a href="#">505278-1033</a>
11		<a href="#">505278-1133</a>
12		<a href="#">505278-1233</a>
13		<a href="#">505278-1333</a>
14		<a href="#">505278-1433</a>
15		<a href="#">505278-1533</a>

Circuit Size	Pitch	Order No.
16	0.50mm	<a href="#">505278-1633</a>
17		<a href="#">505278-1733</a>
18		<a href="#">505278-1833</a>
19		<a href="#">505278-1933</a>
20		<a href="#">505278-2033</a>
22		<a href="#">505278-2233</a>
24		<a href="#">505278-2433</a>
26		<a href="#">505278-2633</a>
28		<a href="#">505278-2833</a>

Circuit Size	Pitch	Order No.
4	1.00mm	<a href="#">200529-0040</a>
5		<a href="#">200529-0050</a>
6		<a href="#">200529-0060</a>
7		<a href="#">200529-0070</a>
8		<a href="#">200529-0080</a>
9		<a href="#">200529-0090</a>
17		<a href="#">200529-0170</a>
22		<a href="#">200529-0220</a>

[www.molex.com/product/smt\\_ffc-fpc.html](http://www.molex.com/product/smt_ffc-fpc.html)