

(2,00 mm) .0787"

TCMD SERIES

HIGH RELIABILITY IDC HEADER CABLE

Mates with:
SMM*, MMS*, ESQT,
PTF, SQT, SQW, TLE

SPECIFICATIONS

For complete specifications see www.samtec.com?TCMD

Insulator Material:
Black Glass Filled Polyester
Terminal:
Phosphor Bronze
Plating:
Au or Sn over
50µ" (1,27 µm) Ni
Wire:
28 AWG 7/36 Stranded,
Tinned, Copper with
Gray PVC Insulator
Operating Temp Range:
-40°C to +105°C
RoHS Compliant:
Yes

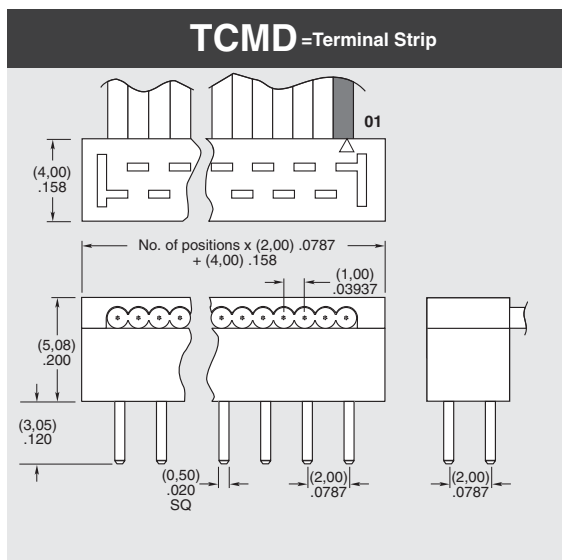
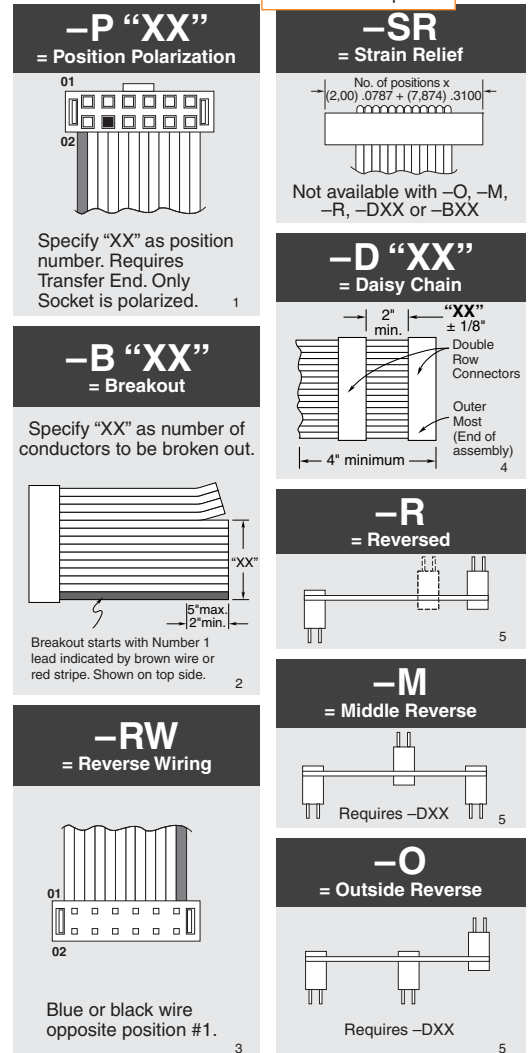
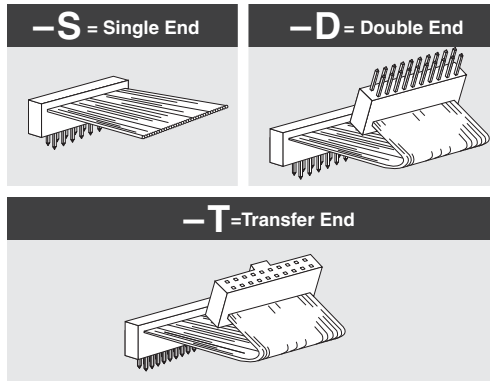
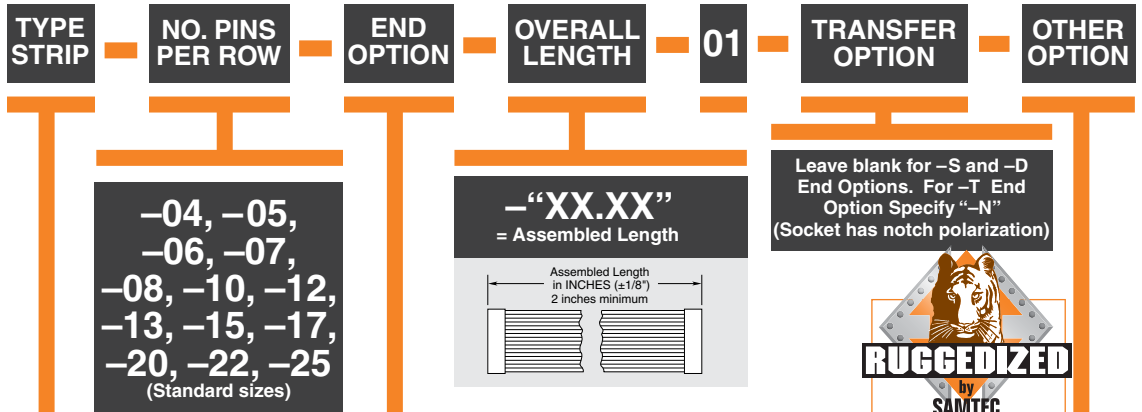
RECOGNITIONS

For complete scope of recognitions see www.samtec.com/quality



ALSO AVAILABLE (MOQ Required)

- Other sizes
- Contact Samtec.



*Note: Standard TCMD callout will not mate with SMM, MMS. Must use gold plated callouts. (See drawing on web.)
When mated with a socket, Wire 1 mates with Pin 2; Wire 2 mates with Pin 1, etc.

Note: TCMD Series assemblies are non-standard, non-returnable.