

## TESANORM VKE clamping sleeve for length measuring probe system

For measuring instruments with shaft diameter 8 h6



### Application:

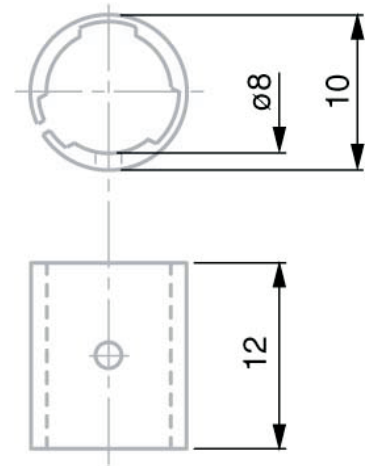
For mounting electronic length measuring probes, dial gauges and precision pointers with a shaft diameter of 8 mm h6 in measuring devices.

### Execution:

- Tension using VKD clamping screw and VKE clamping sleeve
- VKD clamping screw M4 x 6 with offset diameter 1.5 mm and length 0.7 mm
- VKE clamping sleeve diameter I = 8 mm and A = 10 mm and length 12 mm
- Bore diameter 10H7 for holding the VKE clamping sleeve

### Advantage:

- Slotted clamping sleeve for uniform surface tension over the sleeve surface
- No deformation of the micrometer bolt guide



<b>Art. no.</b>	<b>39537 010</b>
<b>Brand</b>	TESA
<b>Manufacturer Part Number</b>	02611014
<b>Number of rechargeable batteries/batteries</b>	0
<b>Gross Weight</b>	0.002 kg
<b>Product Group</b>	362

### EAN

7630041111897