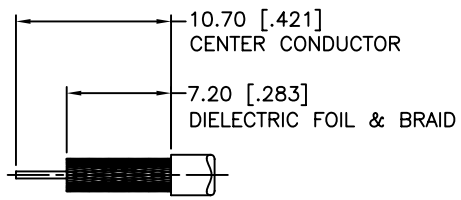
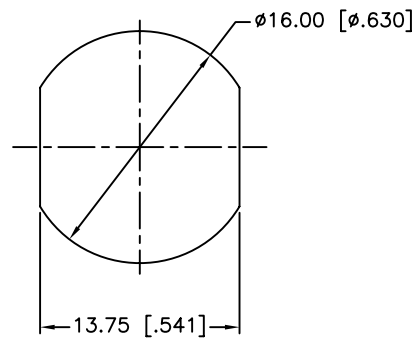


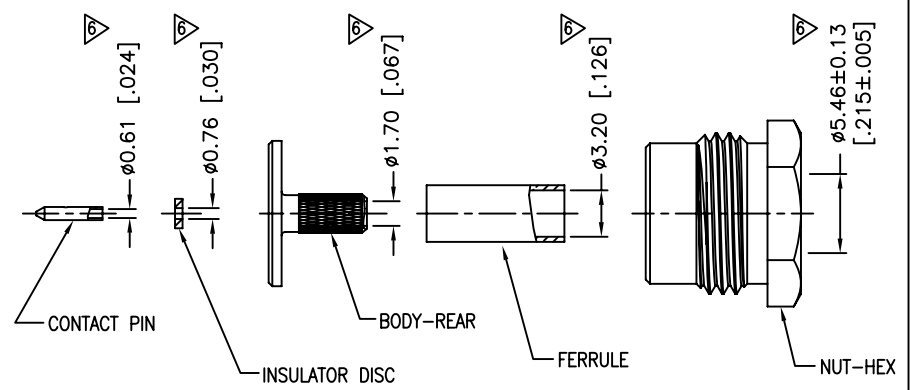
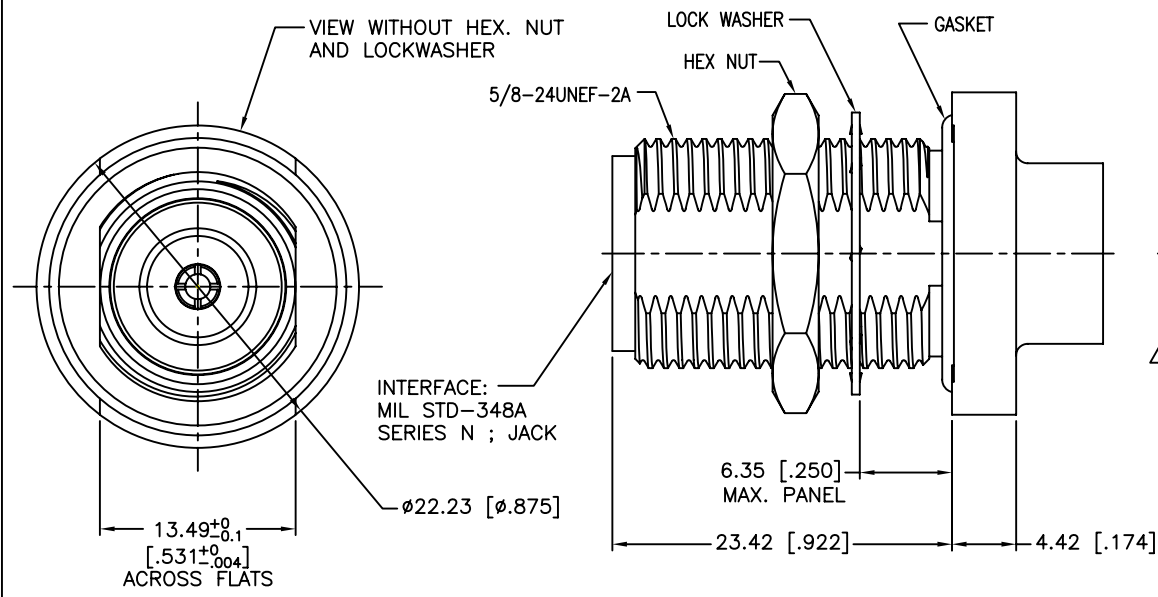
| REV. | DATE | ECR NO. | DESCRIPTION |
|------|----------|---------|-----------------|
| NC | 11/16/10 | XXXXXX | INITIAL RELEASE |



RECOMMENDED
CABLE STRIPPING DIM'S



RECOMMENDED
MOUNTING HOLE DIM'S



- NOTE:
1. FREQUENCY RANGE: DC - 2.5 GHz
 2. VSWR: 1.15 MAX.
 3. CONNECTOR IS IP-68 COMPLIANT.
 4. THERE SHALL BE NO EVIDENCE OF AIR BUBBLES WHEN A 8 P.S.I. FORCE IS APPLIED TO MATING END WHILE WHOLE CONNECTOR IS IMMERSED IN WATER.
 4. CRIMPED FERRULE
HEX CRIMP SIZE .128"
 5. CRIMPED CONTACT PIN
SQ. CRIMP SIZE 0.7 mm
OR CONTACT PIN TO SOLDER
- ∇ SHOWS CABLE ENTRY DIMENSIONS.

| QTY | DESCRIPTION | MATERIAL | FINISH | QTY |
|-----|----------------|------------------|---------|-----|
| 13 | NUT-HEX | BRASS | NEXCOTE | 1 |
| 12 | BODY-REAR | BRASS | NEXCOTE | 1 |
| 11 | INSULATOR DISC | PTFE | NATURAL | 1 |
| 10 | FERRULE | BRASS | NEXCOTE | 1 |
| 9 | CONTACT PIN | BRASS | GOLD | 1 |
| 8 | GASKET | SILICONE | BLACK | 1 |
| 7 | GASKET | SILICONE | RED | 1 |
| 6 | LOCK WASHER | PHOSPHOR BRONZE | NEXCOTE | 1 |
| 5 | NUT-HEX | BRASS | NEXCOTE | 1 |
| 4 | INSULATOR | PTFE | NATURAL | 1 |
| 3 | CONTACT PIN | BERYLLIUM COPPER | GOLD | 1 |
| 2 | BUSHING BODY | BRASS | NEXCOTE | 1 |
| 1 | BODY | BRASS | NEXCOTE | 1 |

UNLESS OTHERWISE SPECIFIED DIMENSIONS ARE IN MILLIMETERS. DIMENSIONS IN [] ARE IN INCHES AND FOR CUSTOMER REFERENCE ONLY.

UNLESS OTHERWISE SPECIFIED TOLERANCES FOR MILLIMETERS ARE:
0.5 - 8mm \pm 0.20mm
8 - 30mm \pm 0.40mm
30 - 120mm \pm 0.50mm

UNLESS OTHERWISE SPECIFIED TOLERANCES FOR INCHES ARE:
.020 - .315 = \pm 0.007"
.315 - 1.180 = \pm 0.015"
1.180 - 4.724 = \pm 0.020"

DO NOT SCALE DRAWING

| APPROVALS | DATE |
|----------------------------------|----------|
| DRAWN M.ZHANG | 11/16/10 |
| CHECKED | |
| ISSUED | |
| SHEET 1 OF 1 | |
| CAD FILE C:/CONNEX/172129-10.DWG | |

Amphenol Connex

PART DESCRIPTION
**N BULKHEAD CRIMP JACK, IP-68 COMPLIANT
(FOR RG-316/U CABLE)**

PART NO. **172129-10**

DWG. NO. 172129-10.DWG REV. A SIZE A SCALE NA