

⚡ ⚠ DANGER

HAZARD OF ELECTRIC SHOCK, EXPLOSION, OR ARC FLASH

- Only appropriately trained persons who are familiar with and fully understand the contents of the present manual and all other pertinent product documentation and who have received all necessary training to recognize and avoid hazards involved are authorized to work on and with this equipment.
- Installation, adjustment, repair, and maintenance must be performed by qualified personnel.
- Verify compliance with all local and national electrical code requirements as well as all other applicable regulations with respect to grounding of all equipment.
- Before performing work and/or applying voltage on the equipment, follow the instructions given in the appropriate installation manual.

Failure to follow these instructions will result in death or serious injury.

⚠ CAUTION

SHARP EDGES



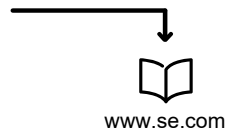
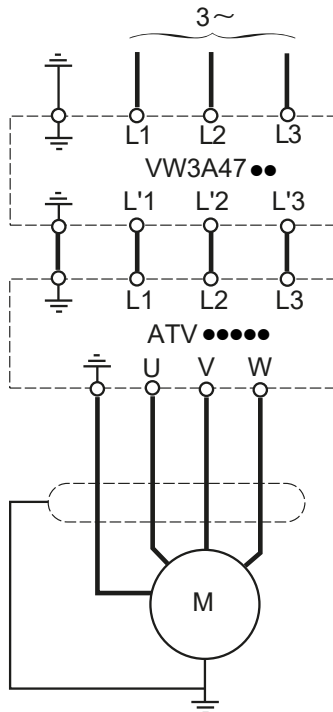
Use all necessary personal protective equipment (PPE) such as gloves when performing any type of work whatsoever on or with this product.

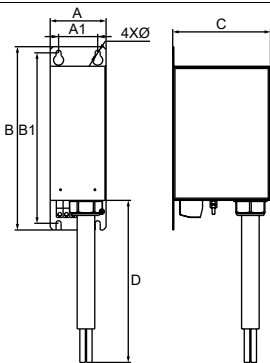
Failure to follow these instructions can result in injury or equipment damage.

Electrical equipment should be installed, operated, serviced, and maintained only by qualified personnel. No responsibility is assumed by Schneider Electric for any consequences arising out of the use of this product.

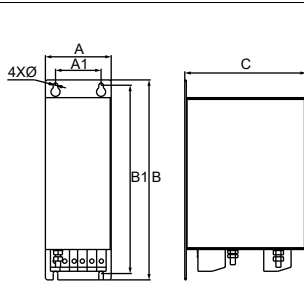
© 2022 Schneider Electric. All Rights Reserved.

INPUT EMC FILTERS		METAL KIT IP21
VW3A4701	8A	VW3A47901
VW3A4702	15A	VW3A47902
VW3A4703	35A	VW3A47903
VW3A4704	50A	VW3A47904
VW3A4705	70A	VW3A47905
VW3A4706	100A	VW3A47906
VW3A4707	160A	VW3A47907
VW3A4708	200A	VW3A47908
VW3A4709	240A	-
VW3A4710	320A	-
VW3A4711	50A	-
VW3A4712	70A	-

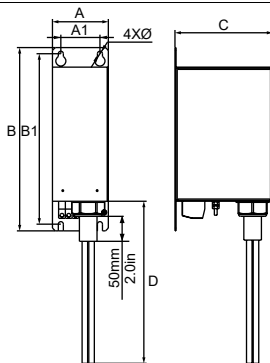




VW3A4701 ... 06

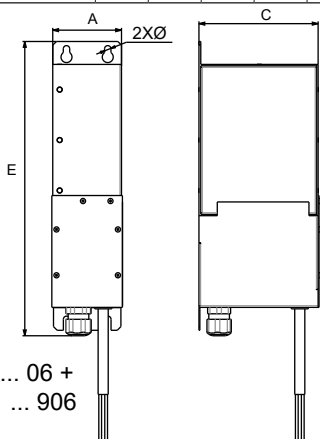


VW3A4707
VW3A4708

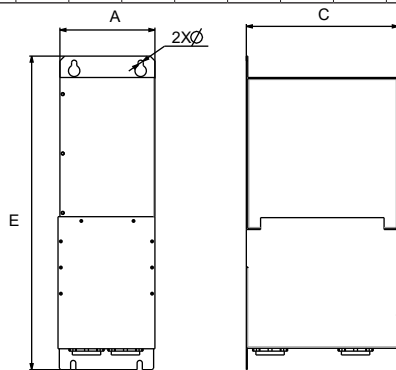


VW3A4711 ... 12

INPUT EMC FILTERS	A		B		C		D		A1		B1		Ø	
	mm	in	mm	in	mm	in	mm	in	mm	in	mm	in	mm	in
VW3A4701	75	3.0	220	8.7	130	5.1	500	19.7	45	1.8	200	7.9	7	0.28
VW3A4702	75	3.0	240	9.4	140	5.5	500	19.7	45	1.8	220	8.7	7	0.28
VW3A4703	80	3.2	302	11.9	155	6.1	750	29.5	50	2.0	282	11.1	7	0.28
VW3A4704	90	3.5	283	11.1	165	6.5	950	37.4	70	2.8	268	10.6	5.5	0.22
VW3A4705	100	3.9	328	12.9	175	6.9	1000	39.4	70	2.8	305	12	9	0.35
VW3A4706	120	4.7	340	13.4	180	7.1	1300	51.2	80	3.1	322	12.7	7	0.28
VW3A4707	130	5.1	395	15.6	240	9.4	-	-	90	3.5	372	14.6	9	0.35
VW3A4708	200	7.9	445	17.5	320	12.6	-	-	140	5.5	415	16.3	11	0.43
VW3A4711	90	3.5	283	11.1	165	6.5	950	37.4	70	2.8	268	10.6	5.5	0.22
VW3A4712	100	3.9	328	12.9	175	6.9	1000	39.4	70	2.8	305	12	9	0.35

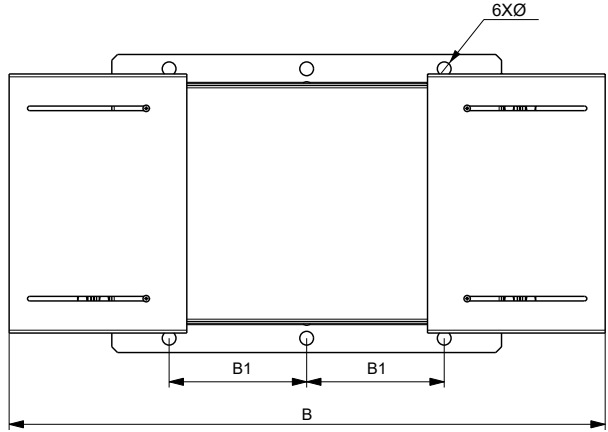
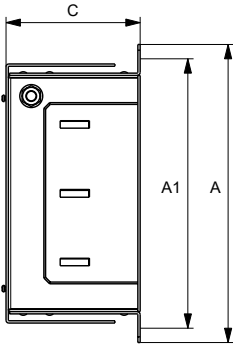


VW3A4701 ... 06 +
VW3A47901 ... 906




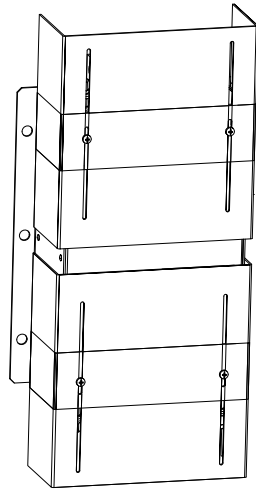
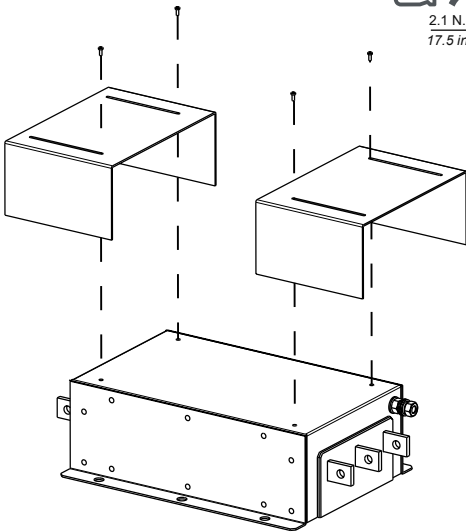
VW3A4707 + VW3A47907
VW3A4708 + VW3A47908

INPUT EMC FILTERS	A		C		E		Ø	
	mm	in	mm	in	mm	in	mm	in
VW3A4701 + VW3A47901	77	3	132	5.2	321	12.6	7	0.28
VW3A4702 + VW3A47902	77	3	142	5.6	341	13.4	7	0.28
VW3A4703 + VW3A47903	83	3.3	157	6.2	397	15.6	7	0.28
VW3A4704 + VW3A47904	93	3.7	167	6.6	428	16.9	5.5	0.22
VW3A4705 + VW3A47905	103	4.0	177	7	470	18.5	9	0.35
VW3A4706 + VW3A47906	123	4.8	182	7.2	515	20.3	7	0.28
VW3A4707 + VW3A47907	134	5.3	242	9.5	615	24.2	9	0.35
VW3A4708 + VW3A47908	204	8	322	12.7	660	26.0	11	0.43

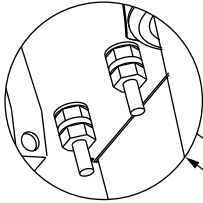



INPUT EMC FILTERS	A		B		C		A1		B1		Ø	
	mm	in	mm	in	mm	in	mm	in	mm	in	mm	in
VW3A4709	260	10.2	520	20.4	117	4.6	235	9.3	120	4.7	12	0.47
VW3A4710	260	10.2	520	20.4	117	4.6	235	9.3	120	4.7	12	0.47

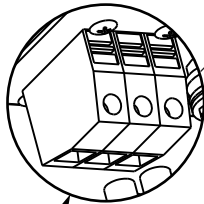
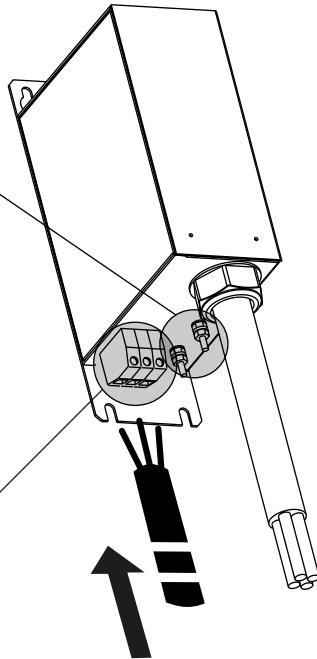

 2.1 N.m
 17.5 in-lb




VW3A4709
VW3A4710

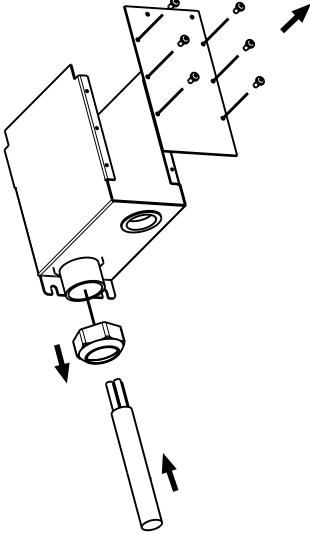


	N.m	in-lb
VW3A4701	1.6	13
VW3A4702 ... 06	2.5	22
VW3A4711 ... 12		



	N.m	in-lb
VW3A4701 ... 02	1.3	11.5
VW3A4703 ... 05	2.6	23
VW3A4711 ... 12		
VW3A4706	4.4	38.9

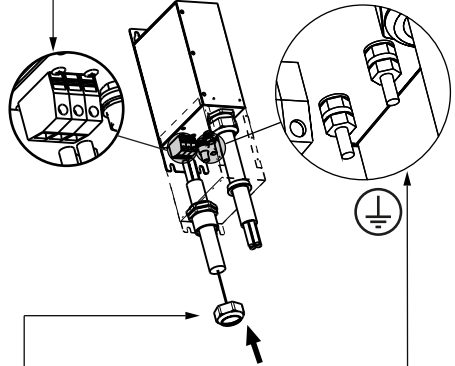
1



2



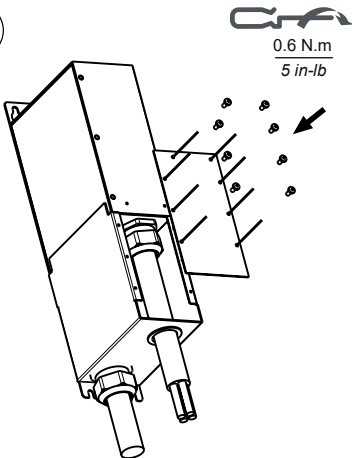
	N.m	in-lb
VW3A4701 ... 02	1.3	11.5
VW3A4703 ... 05	2.6	23
VW3A4706	4.4	38.9



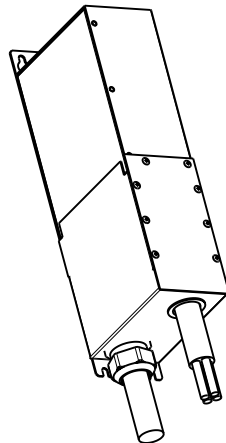
	N.m	in-lb
VW3A4701	1.6	13
VW3A4702 ... 06	2.5	22

	N.m	in-lb
VW3A4701 ... 02	3.3	27.6
VW3A4703 ... 06	5	41.5

3



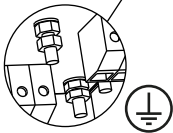
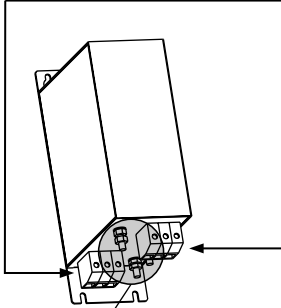
4



1



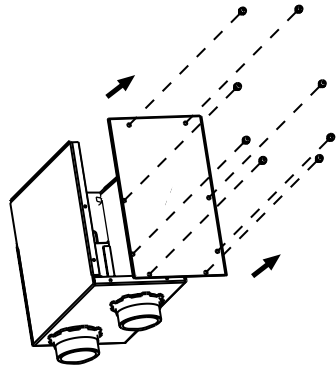
	N.m	in-lb
VW3A47907	4.4	38.9
VW3A47908	6.2	54.9



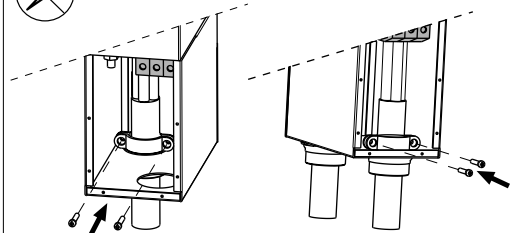
	N.m	in-lb
VW3A4707	8	70.8
VW3A4708		

2

VW3A47907, VW3A47908

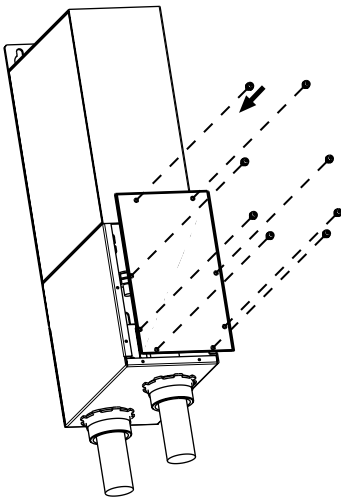


3



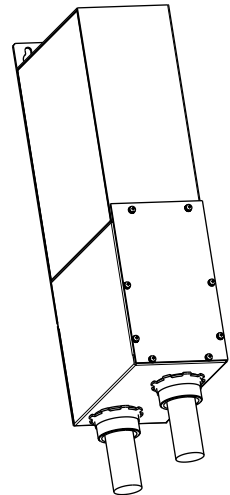
1.2 N.m
10.6 in-lb

4



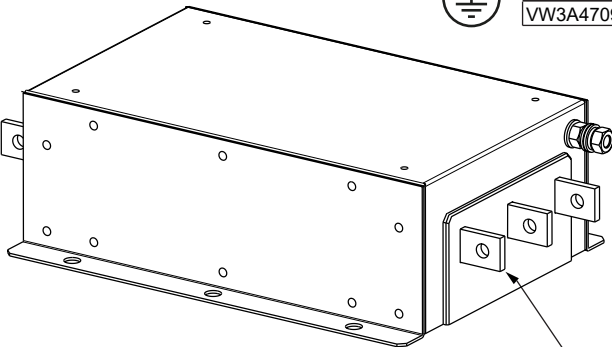
0.6 N.m
5 in-lb

5

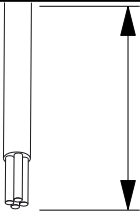
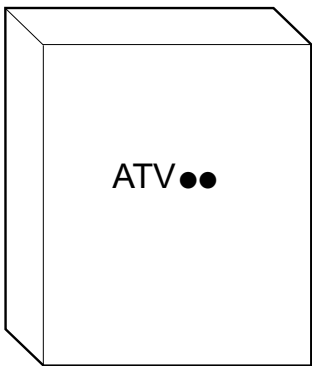




	N.m	in-lb
VW3A4709, VW3A4710	10	88.5



	N.m	in-lb
VW3A4709, VW3A4710	27	224



Maximum:
1.5m (4.92ft)