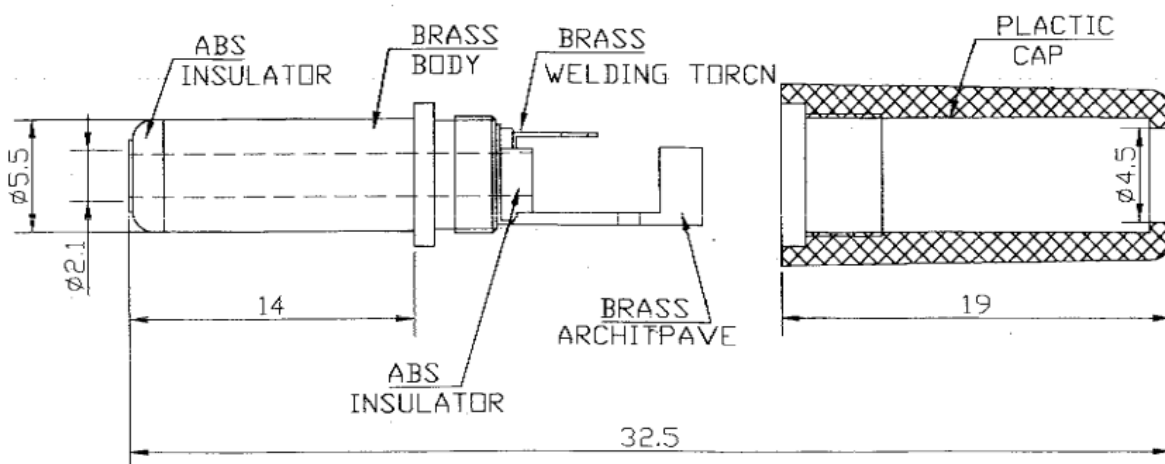


Data Sheet

Low power connector Plug, straight 5.5 mm 2.1 mm



Voltage: less than DC 75V

Connection: Soldering

Material : Copper, nickel plated

Connector type: Plug

Cable: less than \varnothing 4.50 mm

Insulation material: Plastic

Product type: 5.5mm x 2.1mm DC plug