

MICRO SWITCH
a Honeywell Division

ACTUATOR-SWITCH

CATALOG LISTING

JV-5

FAA-PMA

FED.MFG.CODE 91 929

2X 4-40 UNC HEX NUT
CARBON STEEL,
NICKEL PLATE $\triangle 1$ $\triangle 2$

2X 4-40 UNC X (.625) ROUND HEAD
MACHINE SCREW, CARBON STEEL,
NICKEL PLATE $\triangle 1$

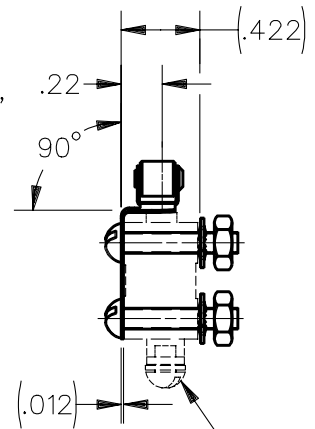
2X LOCKWASHER
HIGH CARBON STEEL,
NICKEL PLATE $\triangle 1$

\varnothing .19 X .19 WIDE OIL BRONZE ROLLER
(CONCENTRICITY .005 FIM)

SPRING-LEAF
STAINLESS STEEL,
300 SERIES

.870 MAX
FREE
POSITION

.800 \pm .025
OPERATING
POSITION



DOTTED LINES INDICATE
BASIC SWITCH IN PLACE

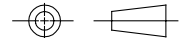
NOTES

- $\triangle 1$ FURNISHED UNASSEMBLED
- $\triangle 2$ MOUNTING TORQUE: 5 IN LBS MAX
- 3 - WHEN INSTALLED PER MICRO SWITCH SPECIFICATION, ACTUATOR WILL MEET OR EXCEED THE EXPECTED MECHANICAL LIFE OF THE BASIC SWITCH IMPLEMENTED
- 4 - ACTUATOR ONLY, NO BASIC SWITCH INSTALLED
- $\triangle 5$ CHARACTERISTICS WITH V3-1001 BASIC SWITCH INSTALLED
- 6 - MARKING ON INDIVIDUAL PACKAGES OF ACTUATORS SHALL INCLUDE FAA-PMA

ANSI Y14.5M-1982 APPLIES

THIS DRAWING COVERS A PROPRIETARY ITEM AND IS THE PROPERTY OF MICRO SWITCH, A DIVISION OF HONEYWELL. THIS DRAWING IS NOT TO BE COPIED OR USED WITHOUT THE APPROVAL OF MICRO SWITCH.

THIRD ANGLE PROJECTION



CHARACTERISTICS $\triangle 5$
OPERATING FORCE — — — — — 18 OZ MAX
RELEASE FORCE — — — — — 4 OZ MIN
PRETRAVEL — — — — — .060 MAX
DIFFERENTIAL TRAVEL — — — .016 MAX
OVERTRAVEL — — — — — .031 MIN

ELECTRICAL DATA
CONTACT ARRANGEMENT

SCALE FULL	DO NOT SCALE PRINT
UNLESS OTHERWISE SPECIFIED TOLERANCES ARE	
ONE PLACE (.0)	\pm .030
TWO PLACE (.00)	\pm .015
THREE PLACE (.000)	\pm .005
ANGLES	\pm 2°

WEIGHT .015 LB MAX

CATALOG LISTING
 JV-5
 PAGE 1 OF 1
 M
 ISSUE 14
 REVISIONS
 A CO-1 84929 DCS 19 AUG 97
 B CO-1 93327 DLT 2 DEC 98
 DDM/CAD
 DRAWN
 DCS 18 AUG 97
 CHECK
 DCS 20 AUG 97
 CHECK
 DCS
 RELEASE NO.
 REPLACES