

# FELLER GMBH

A-2525 GUENSELSDORF, AUSTRIA - TEL.: .. 43(2256) 62 32 50 - FAX: .. 43 (2256) 62 32 57  
e-mail: sales@feller-at.com <http://www.feller-at.com>

## Description: VIIG-H05VVF3G150-C19/2,50M SW9005

Rating of cord set: 16A/250Vac

cordset approval: KTL/EAC

### 1. PLUG: Type VIIG

Molded plug according to : IEC60884, CEE (7) VII, KSC8305  
Rated current and voltage : 16A, 250 V AC  
Plugbase : thermoplastic Polyester(PBTP) GFR  
Construction : double insulated  
Pins : brass, nickel-plated, crimped  
Pins outer diameter : 4,8 mm  
Outer mold : PVC compound, hardness Shore A75-77  
Approvals : VDE, ÖVE, CEBEC, KEMA, S-INTERTEK, D, N, FI, NF, IMQ, EAC, KTL

### 2. CORD: Type H05VVF3G1,50mm<sup>2</sup>

**BLACK**

Flexible cord according to : ÖVE K41a;EN50525;AS 3191;IEC 60227  
Marked : \*JF\*<ÖVE><HAR>H05VVF3G1,5mm2\*N1095\*CE\*CCC 60227  
IEC53(RVV)300/500 3X1,5\*KTL SW01001-2001A  
Number of cores : 3  
Conductor construction : 29x0,245 mm O.D. 1,52mm  
Conductor insulation : Extruded PVC, O.D. 2,90mm, +/-0,06mm  
Jacket : Extruded PVC, O.D. 8,20mm, +/-0,20mm  
Temperature rating : -20°C up to +70°C  
Resistance of conductors : 13,3 Ω/km  
Dielectric strength : 2kVac, 1min.  
Insulation resistance : >0,010MΩ/km  
Color of conductors : yellow/green, brown, blue  
Approvals : HARMONIZED, ÖVE, KTL

### 3. CONNECTOR: Type C19

Molded connector according to : EN/IEC 60320/C19  
Rated current and voltage : 16 A, 250 V AC  
Construction : double insulation, contacts crimped  
Contacts of the connection : Self adjusting phosphor bronze CuSn 6  
Inner insulation : Housing, PPO GFR  
Outer mold : PVC compound, hardness Shore A 75-77  
Approvals : CE, ENEC, KTL

### Environmental conformity

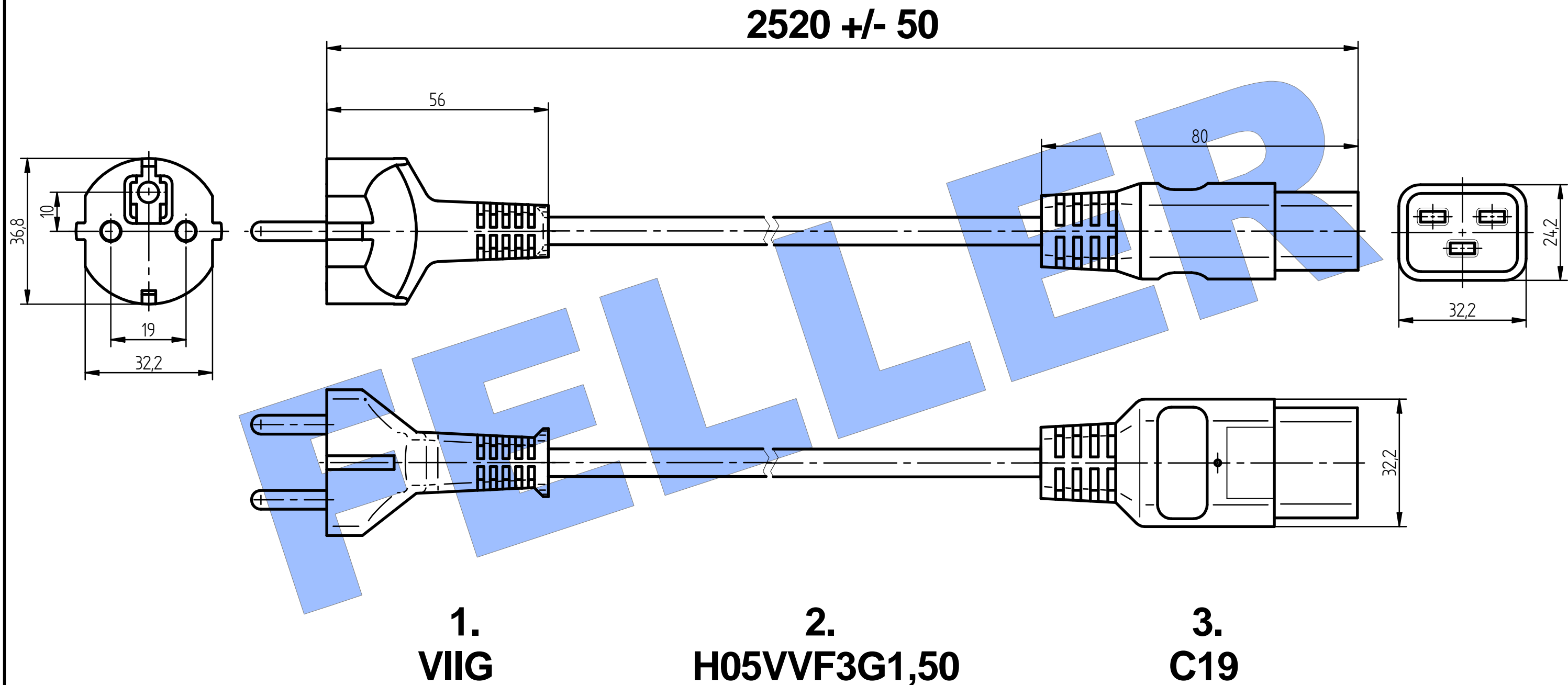
: EU-Directive 2012/19/EU (WEEE)  
EU-Directive 2011/65/EU  
EU-Directive 1907/2006 EG (REACH -compliant)

### TESTING

Electrical testing : 100%  
Visual inspection : 100%  
High pot test wire to wire : 3kVac for 2 sec.  
Continuity test : 25Aac to grounding / 20Aac to line and neutral  
Polarity test : yes  
Skin high pot test : 6kVac line to skin

design subject to change without prior notice, except written agreements with customer

DATE of ISSUE:	September, 2018
REV: 1	ORIG: DG



**Feller Type: VIIG-H05VVF3G150-C19/2,50M SW9005**

PN: 143-30-684

**All dimensions in mm**

28.09.2018

**BT**

**RoHS compliant**

**FELLER** 

A-2525 Günselsdorf, Austria

Telefon 0043-2256-62325-0

Fax: 0043-2256-62325-7

email: [sales@feller-at.com](mailto:sales@feller-at.com)

<http://www.feller-at.com>