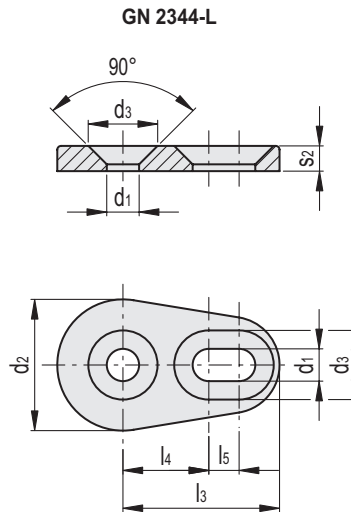
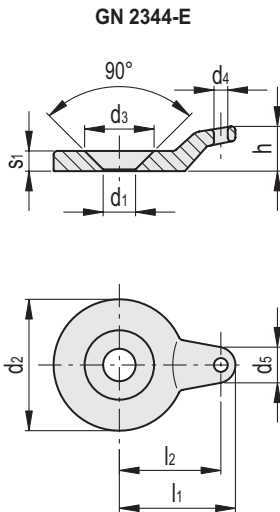
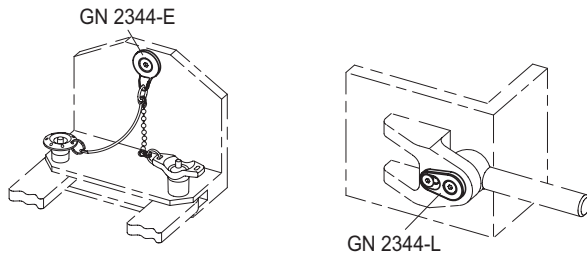


STANDARD EXECUTIONS

- **GN 2344-E:** with eyelet, made out of AISI 316 LHC fusion stainless steel.
- **GN 2344-L:** with slot, made out of AISI 316 LHC sintered stainless steel.

FEATURES AND APPLICATIONS

GN 2344 fixing plates can be used in different types of applications. GN 2344-E execution is commonly used in connection with the retaining cables GN 111.2 (see page 817) or the ball chains GN 111 (see page 816) to prevent the loss of fixing components. GN 2344-L execution allows the axial and radial fixing of pins and eye screws.



GN 2344-E

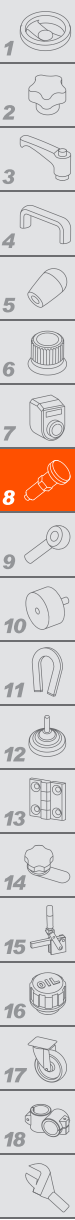
INOX STAINLESS STEEL

Code	Description	d1	d2	d3	d4	d5	l1	l2	s1	h	d4		⚖️
											Retaining cables	Ball chains	
GN.71801	GN 2344-NI-4,3-12-E	4.3	12	9.2	2.5	6	13.5	10.8	3	7	GN 111.2-...-14	GN 111-...-14	2
GN.71805	GN 2344-NI-4,3-15-E	4.3	15	9.2	2.5	6.3	15	12.3	3	7	GN 111.2-...-14	GN 111-...-14	4
GN.71811	GN 2344-NI-5,3-17-E	5.3	17	11.5	3	7.2	18.5	15	4	7	GN 111.2-...-14 / -18	GN 111-...-14 / -18	7
GN.71815	GN 2344-NI-5,3-22-E	5.3	22	11.5	3	7.5	21	17.5	4	9	GN 111.2-...-14 / -18	GN 111-...-14 / -18	12
GN.71825	GN 2344-NI-6,4-26-E	6.4	26	13.7	3.5	8.1	24	20.3	4	9	GN 111.2-...-14 / -18 / -24	GN 111-...-14 / -18 / -24	15

GN 2344-L

INOX STAINLESS STEEL

Code	Description	d1	d2	d3	l3	l4	l5	s2	⚖️
GN.71807	GN 2344-NI-4,3-15-L	4.3	15	9.2	21	11	4	4	7
GN.71813	GN 2344-NI-5,3-17-L	5.3	17	11.5	23	12	4	4.5	10
GN.71817	GN 2344-NI-5,3-22-L	5.3	22	11.5	28	15	6	4.5	16
GN.71827	GN 2344-NI-6,4-26-L	6.4	26	13.7	31	17	6	5	25



Indexing and positioning elements