

- 1
- 2
- 3
- 4
- 5
- 6
- 7
- 8
- 9
- 10
- 11
- 12
- 13
- 14
- 15
- 16
- 17
- 18

## MATERIAL

Aluminium, matte finish.  
AISI 304 stainless steel screws and nuts.

## STANDARD EXECUTIONS

- **GN 286-BL-S**: natural aluminium with continuous adjustment.
- **GN 286-BL-T**: natural aluminium, with adjustment by 15° snaps.
- **GN 286-SW-S**: aluminium, epoxy resin coating, RAL 9005 black colour, with continuous adjustment.
- **GN 286-SW-T**: aluminium, epoxy resin coating, RAL 9005 black colour, with adjustment by 15° snaps.

## FEATURES AND APPLICATIONS

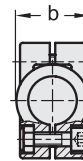
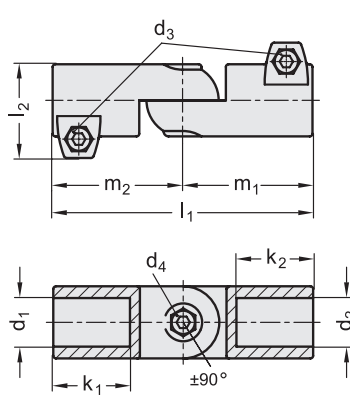
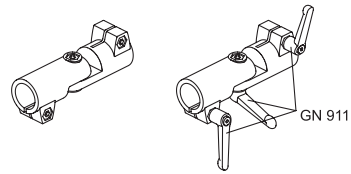
The assembly hole of GN 286 connecting clamps allows an excellent match with tubes GN 990 (see page 1778).

GN 286 connecting clamps are an assembly of connecting clamps GN 276 (see page 1758).

The clamping screws d3 and d4 may be replaced by clamping kit GN 911 (see page 1782).

## SPECIAL EXECUTIONS ON REQUEST

Different combinations of holes d1/d2.



## GN 286-BL-S

Code	Description	b	d1	d2	d3	d4	k1	k2	l1	l2	m1	m2	d3 Clamping kit	d4 Clamping kit	⚖
GN.63611	GN 286-B20-B20-S-2-BL	40	20	20	M8	M8	42.5	42.5	144	52	72	72	GN 911-M8-32	GN 911-M8-35	430
GN.63651	GN 286-B20-B25-S-2-BL	40	20	25	M8	M8	42.5	42.5	144	52	72	72	GN 911-M8-32	GN 911-M8-35	430
GN.63691	GN 286-B20-B30-S-2-BL	40	20	30	M8	M8	42.5	42.5	144	52	72	72	GN 911-M8-32	GN 911-M8-35	435
GN.63731	GN 286-B25-B25-S-2-BL	40	25	25	M8	M8	42.5	42.5	144	52	72	72	GN 911-M8-32	GN 911-M8-35	390
GN.63771	GN 286-B25-B30-S-2-BL	40	25	30	M8	M8	42.5	42.5	144	52	72	72	GN 911-M8-32	GN 911-M8-35	430
GN.63811	GN 286-B30-B30-S-2-BL	40	30	30	M8	M8	42.5	42.5	144	52	72	72	GN 911-M8-32	GN 911-M8-35	340
GN.63851	GN 286-B40-B40-S-2-BL	65	40	40	M10	M10	74	74	230	77.5	115	115	GN 911-M10-55	GN 911-M10-63	1575
GN.63891	GN 286-B40-B42-S-2-BL	65	40	42	M10	M10	74	74	230	77.5	115	115	GN 911-M10-55	GN 911-M10-63	1558
GN.63929	GN 286-B40-B45-S-2-BL	65	40	45	M10	M10	74	74	230	77.5	115	115	GN 911-M10-55	GN 911-M10-63	1355
GN.63966	GN 286-B40-B48-S-2-BL	65	40	48	M10	M10	74	74	230	77.5	115	115	GN 911-M10-55	GN 911-M10-63	1355
GN.64006	GN 286-B40-B50-S-2-BL	65	40	50	M10	M10	74	74	230	77.5	115	115	GN 911-M10-55	GN 911-M10-63	1355
GN.64046	GN 286-B42-B42-S-2-BL	65	42	42	M10	M10	74	74	230	77.5	115	115	GN 911-M10-55	GN 911-M10-63	1575
GN.64086	GN 286-B42-B45-S-2-BL	65	42	45	M10	M10	74	74	230	77.5	115	115	GN 911-M10-55	GN 911-M10-63	1500
GN.64126	GN 286-B42-B48-S-2-BL	65	42	48	M10	M10	74	74	230	77.5	115	115	GN 911-M10-55	GN 911-M10-63	1460
GN.64166	GN 286-B42-B50-S-2-BL	65	42	50	M10	M10	74	74	230	77.5	115	115	GN 911-M10-55	GN 911-M10-63	1435
GN.64206	GN 286-B45-B45-S-2-BL	65	45	45	M10	M10	74	74	230	77.5	115	115	GN 911-M10-55	GN 911-M10-63	1575
GN.64246	GN 286-B45-B48-S-2-BL	65	45	48	M10	M10	74	74	230	77.5	115	115	GN 911-M10-55	GN 911-M10-63	1420
GN.64286	GN 286-B45-B50-S-2-BL	65	45	50	M10	M10	74	74	230	77.5	115	115	GN 911-M10-55	GN 911-M10-63	1395
GN.64326	GN 286-B48-B48-S-2-BL	65	48	48	M10	M10	74	74	230	77.5	115	115	GN 911-M10-55	GN 911-M10-63	1575
GN.64366	GN 286-B48-B50-S-2-BL	65	48	50	M10	M10	74	74	230	77.5	115	115	GN 911-M10-55	GN 911-M10-63	1370
GN.64406	GN 286-B50-B50-S-2-BL	65	50	50	M10	M10	74	74	230	77.5	115	115	GN 911-M10-55	GN 911-M10-63	1575

Connecting clamps

## GN 286-BL-T

Code	Description	b	d1	d2	d3	d4	k1	k2	l1	l2	m1	m2	d3		⚖
													Clamping kit	Clamping kit	
GN.63631	GN 286-B20-B20-T-2-BL	40	20	20	M8	M8	42.5	42.5	144	52	72	72	GN 911-M8-32	GN 911-M8-35	400
GN.63671	GN 286-B20-B25-T-2-BL	40	20	25	M8	M8	42.5	42.5	144	52	72	72	GN 911-M8-32	GN 911-M8-35	435
GN.63711	GN 286-B20-B30-T-2-BL	40	20	30	M8	M8	42.5	42.5	144	52	72	72	GN 911-M8-32	GN 911-M8-35	435
GN.63751	GN 286-B25-B25-T-2-BL	40	25	25	M8	M8	42.5	42.5	144	52	72	72	GN 911-M8-32	GN 911-M8-35	400
GN.63791	GN 286-B25-B30-T-2-BL	40	25	30	M8	M8	42.5	42.5	144	52	72	72	GN 911-M8-32	GN 911-M8-35	430
GN.63831	GN 286-B30-B30-T-2-BL	40	30	30	M8	M8	42.5	42.5	144	52	72	72	GN 911-M8-32	GN 911-M8-35	350
GN.63871	GN 286-B40-B40-T-2-BL	65	40	40	M10	M10	74	74	230	77.5	115	115	GN 911-M10-55	GN 911-M10-63	1590
GN.63911	GN 286-B40-B42-T-2-BL	65	40	42	M10	M10	74	74	230	77.5	115	115	GN 911-M10-55	GN 911-M10-63	1558
GN.63946	GN 286-B40-B45-T-2-BL	65	40	45	M10	M10	74	74	230	77.5	115	115	GN 911-M10-55	GN 911-M10-63	1558
GN.63986	GN 286-B40-B48-T-2-BL	65	40	48	M10	M10	74	74	230	77.5	115	115	GN 911-M10-55	GN 911-M10-63	1558
GN.64026	GN 286-B40-B50-T-2-BL	65	40	50	M10	M10	74	74	230	77.5	115	115	GN 911-M10-55	GN 911-M10-63	1558
GN.64066	GN 286-B42-B42-T-2-BL	65	42	42	M10	M10	74	74	230	77.5	115	115	GN 911-M10-55	GN 911-M10-63	1590
GN.64106	GN 286-B42-B45-T-2-BL	65	42	45	M10	M10	74	74	230	77.5	115	115	GN 911-M10-55	GN 911-M10-63	1520
GN.64146	GN 286-B42-B48-T-2-BL	65	42	48	M10	M10	74	74	230	77.5	115	115	GN 911-M10-55	GN 911-M10-63	1475
GN.64186	GN 286-B42-B50-T-2-BL	65	42	50	M10	M10	74	74	230	77.5	115	115	GN 911-M10-55	GN 911-M10-63	1510
GN.64226	GN 286-B45-B45-T-2-BL	65	45	45	M10	M10	74	74	230	77.5	115	115	GN 911-M10-55	GN 911-M10-63	1590
GN.64266	GN 286-B45-B48-T-2-BL	65	45	48	M10	M10	74	74	230	77.5	115	115	GN 911-M10-55	GN 911-M10-63	1430
GN.64306	GN 286-B45-B50-T-2-BL	65	45	50	M10	M10	74	74	230	77.5	115	115	GN 911-M10-55	GN 911-M10-63	1510
GN.64346	GN 286-B48-B48-T-2-BL	65	48	48	M10	M10	74	74	230	77.5	115	115	GN 911-M10-55	GN 911-M10-63	1590
GN.64386	GN 286-B48-B50-T-2-BL	65	48	50	M10	M10	74	74	230	77.5	115	115	GN 911-M10-55	GN 911-M10-63	1370
GN.64426	GN 286-B50-B50-T-2-BL	65	50	50	M10	M10	74	74	230	77.5	115	115	GN 911-M10-55	GN 911-M10-63	1590

## GN 286-SW-S

Code	Description	b	d1	d2	d3	d4	k1	k2	l1	l2	m1	m2	d3		⚖
													Clamping kit	Clamping kit	
GN.63616	GN 286-B20-B20-S-2-SW	40	20	20	M8	M8	42.5	42.5	144	52	72	72	GN 911-M8-32	GN 911-M8-35	430
GN.63656	GN 286-B20-B25-S-2-SW	40	20	25	M8	M8	42.5	42.5	144	52	72	72	GN 911-M8-32	GN 911-M8-35	430
GN.63696	GN 286-B20-B30-S-2-SW	40	20	30	M8	M8	42.5	42.5	144	52	72	72	GN 911-M8-32	GN 911-M8-35	435
GN.63736	GN 286-B25-B25-S-2-SW	40	25	25	M8	M8	42.5	42.5	144	52	72	72	GN 911-M8-32	GN 911-M8-35	390
GN.63776	GN 286-B25-B30-S-2-SW	40	25	30	M8	M8	42.5	42.5	144	52	72	72	GN 911-M8-32	GN 911-M8-35	430
GN.63816	GN 286-B30-B30-S-2-SW	40	30	30	M8	M8	42.5	42.5	144	52	72	72	GN 911-M8-32	GN 911-M8-35	340
GN.63856	GN 286-B40-B40-S-2-SW	65	40	40	M10	M10	74	74	230	77.5	115	115	GN 911-M10-55	GN 911-M10-63	1575
GN.63896	GN 286-B40-B42-S-2-SW	65	40	42	M10	M10	74	74	230	77.5	115	115	GN 911-M10-55	GN 911-M10-63	1558
GN.63931	GN 286-B40-B45-S-2-SW	65	40	45	M10	M10	74	74	230	77.5	115	115	GN 911-M10-55	GN 911-M10-63	1355
GN.63971	GN 286-B40-B48-S-2-SW	65	40	48	M10	M10	74	74	230	77.5	115	115	GN 911-M10-55	GN 911-M10-63	1355
GN.64011	GN 286-B40-B50-S-2-SW	65	40	50	M10	M10	74	74	230	77.5	115	115	GN 911-M10-55	GN 911-M10-63	1355
GN.64051	GN 286-B42-B42-S-2-SW	65	42	42	M10	M10	74	74	230	77.5	115	115	GN 911-M10-55	GN 911-M10-63	1575
GN.64091	GN 286-B42-B45-S-2-SW	65	42	45	M10	M10	74	74	230	77.5	115	115	GN 911-M10-55	GN 911-M10-63	1500
GN.64131	GN 286-B42-B48-S-2-SW	65	42	48	M10	M10	74	74	230	77.5	115	115	GN 911-M10-55	GN 911-M10-63	1460
GN.64171	GN 286-B42-B50-S-2-SW	65	42	50	M10	M10	74	74	230	77.5	115	115	GN 911-M10-55	GN 911-M10-63	1435
GN.64211	GN 286-B45-B45-S-2-SW	65	45	45	M10	M10	74	74	230	77.5	115	115	GN 911-M10-55	GN 911-M10-63	1575
GN.64251	GN 286-B45-B48-S-2-SW	65	45	48	M10	M10	74	74	230	77.5	115	115	GN 911-M10-55	GN 911-M10-63	1420
GN.64291	GN 286-B45-B50-S-2-SW	65	45	50	M10	M10	74	74	230	77.5	115	115	GN 911-M10-55	GN 911-M10-63	1395
GN.64331	GN 286-B48-B48-S-2-SW	65	48	48	M10	M10	74	74	230	77.5	115	115	GN 911-M10-55	GN 911-M10-63	1575
GN.64371	GN 286-B48-B50-S-2-SW	65	48	50	M10	M10	74	74	230	77.5	115	115	GN 911-M10-55	GN 911-M10-63	1370
GN.64411	GN 286-B50-B50-S-2-SW	65	50	50	M10	M10	74	74	230	77.5	115	115	GN 911-M10-55	GN 911-M10-63	1575

## GN 286-SW-T

Code	Description	b	d1	d2	d3	d4	k1	k2	l1	l2	m1	m2	d3		⚖
													Clamping kit	Clamping kit	
GN.63636	GN 286-B20-B20-T-2-SW	40	20	20	M8	M8	42.5	42.5	144	52	72	72	GN 911-M8-32	GN 911-M8-35	400
GN.63676	GN 286-B20-B25-T-2-SW	40	20	25	M8	M8	42.5	42.5	144	52	72	72	GN 911-M8-32	GN 911-M8-35	435
GN.63716	GN 286-B20-B30-T-2-SW	40	20	30	M8	M8	42.5	42.5	144	52	72	72	GN 911-M8-32	GN 911-M8-35	435
GN.63756	GN 286-B25-B25-T-2-SW	40	25	25	M8	M8	42.5	42.5	144	52	72	72	GN 911-M8-32	GN 911-M8-35	400
GN.63796	GN 286-B25-B30-T-2-SW	40	25	30	M8	M8	42.5	42.5	144	52	72	72	GN 911-M8-32	GN 911-M8-35	430
GN.63836	GN 286-B30-B30-T-2-SW	40	30	30	M8	M8	42.5	42.5	144	52	72	72	GN 911-M8-32	GN 911-M8-35	350
GN.63876	GN 286-B40-B40-T-2-SW	65	40	40	M10	M10	74	74	230	77.5	115	115	GN 911-M10-55	GN 911-M10-63	1590
GN.63916	GN 286-B40-B42-T-2-SW	65	40	42	M10	M10	74	74	230	77.5	115	115	GN 911-M10-55	GN 911-M10-63	1558
GN.63951	GN 286-B40-B45-T-2-SW	65	40	45	M10	M10	74	74	230	77.5	115	115	GN 911-M10-55	GN 911-M10-63	1558
GN.63991	GN 286-B40-B48-T-2-SW	65	40	48	M10	M10	74	74	230	77.5	115	115	GN 911-M10-55	GN 911-M10-63	1558
GN.64031	GN 286-B40-B50-T-2-SW	65	40	50	M10	M10	74	74	230	77.5	115	115	GN 911-M10-55	GN 911-M10-63	1558
GN.64071	GN 286-B42-B42-T-2-SW	65	42	42	M10	M10	74	74	230	77.5	115	115	GN 911-M10-55	GN 911-M10-63	1590
GN.64111	GN 286-B42-B45-T-2-SW	65	42	45	M10	M10	74	74	230	77.5	115	115	GN 911-M10-55	GN 911-M10-63	1520
GN.64151	GN 286-B42-B48-T-2-SW	65	42	48	M10	M10	74	74	230	77.5	115	115	GN 911-M10-55	GN 911-M10-63	1475
GN.64191	GN 286-B42-B50-T-2-SW	65	42	50	M10	M10	74	74	230	77.5	115	115	GN 911-M10-55	GN 911-M10-63	1510
GN.64231	GN 286-B45-B45-T-2-SW	65	45	45	M10	M10	74	74	230	77.5	115	115	GN 911-M10-55	GN 911-M10-63	1590
GN.64271	GN 286-B45-B48-T-2-SW	65	45	48	M10	M10	74	74	230	77.5	115	115	GN 911-M10-55	GN 911-M10-63	1430
GN.64311	GN 286-B45-B50-T-2-SW	65	45	50	M10	M10	74	74	230	77.5	115	115	GN 911-M10-55	GN 911-M10-63	1510
GN.64351	GN 286-B48-B48-T-2-SW	65	48	48	M10	M10	74	74	230	77.5	115	115	GN 911-M10-55	GN 911-M10-63	1590
GN.64391	GN 286-B48-B50-T-2-SW	65	48	50	M10	M10	74	74	230	77.5	115	115	GN 911-M10-55	GN 911-M10-63	1370
GN.64431	GN 286-B50-B50-T-2-SW	65	50	50	M10	M10	74	74	230	77.5	115	115	GN 911-M10-55	GN 911-M10-63	1590