

LV.F | Levelling elements for ground mounting

Technopolymer base, steel stem



- 1
- 2
- 3
- 4
- 5
- 6
- 7
- 8
- 9
- 10
- 11
- 12
- 13
- 14
- 15
- 16
- 17
- 18

BASE

Glass-fibre reinforced polyamide based (PA) technopolymer, black colour, matte finish.

ARTICULATED STEM

Threaded zinc-plated steel with regulation hexagon.

STANDARD EXECUTIONS

- LV.F: without no-slip disk.
- LV.F-AS: with NBR rubber no-slip disk, hardness 70 Shore A, supplied assembled to the base.

GROUND MOUNTING

By means of two holes at 180°, supplied covered by a diaphragm (which can be easily removed by a metal tool), to avoid all unhealthy deposits of dirt and dust when the ground mounting is not required (see Fig. 1).

FEATURES

The special knurling under the lower lip of the base provides excellent stability and grip when using the levelling element without no-slip disk even on surfaces that are not perfectly flat.

The particular assembling system of the no-slip disk to the base assures a perfect anchoring, preventing separation even in case of impact during transport or of adhesion (sticking) to the floor (see No-slip disks on page 1137).

ORDER INFORMATION

The levelling elements are supplied unassembled to make carriage and storage easier. The components (base and stem) are supplied in separate packing; less volume taken and better protection from scratches and dirt.

To order bases and stems separately, see:

- table of possible combinations Bases/Stems (see page 1144)
- the codes of the Bases (see page 1139)
- the codes of the Stems (see page 1142).

ACCESSORIES ON REQUEST

Zinc-plated steel nut (see Nuts NT. on page 1137).



ELESA Original design

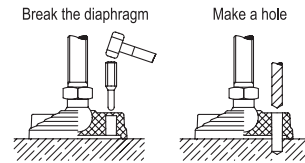
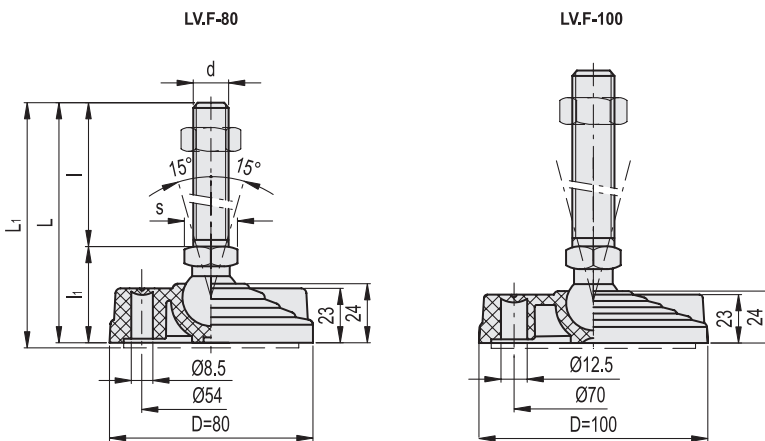


Fig. 1



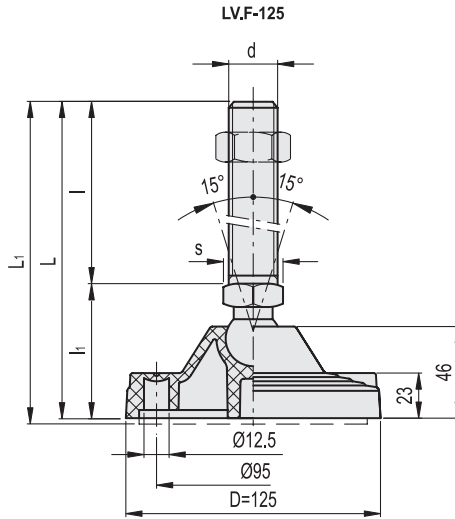
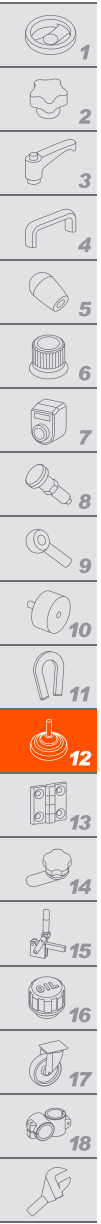
LV.F		LV.F-AS												Max. limit stati load* [N]		⚖️ ⚖️ #	
Code	Description	Code	Description	D	d	L	L#	l	li	s	Articulation ∅						
311121	LV.F-80-14-M8x43	314121	LV.F-80-14-AS-M8x43	80	M8	76	79	43	33	14	14	16000	85	111			
311125	LV.F-80-14-M8x68	314125	LV.F-80-14-AS-M8x68	80	M8	101	104	68	33	14	14	16000	97	123			
311221	LV.F-80-14-M10x43	314221	LV.F-80-14-AS-M10x43	80	M10	76	79	43	33	14	14	16000	94	120			
311225	LV.F-80-14-M10x68	314225	LV.F-80-14-AS-M10x68	80	M10	101	104	68	33	14	14	16000	106	132			
311231	LV.F-80-14-M10x98	314231	LV.F-80-14-AS-M10x98	80	M10	131	134	98	33	14	14	16000	120	146			
311321	LV.F-80-14-M12x43	314321	LV.F-80-14-AS-M12x43	80	M12	76	79	43	33	14	14	16000	104	130			
311325	LV.F-80-14-M12x68	314325	LV.F-80-14-AS-M12x68	80	M12	101	104	68	33	14	14	16000	121	147			
311331	LV.F-80-14-M12x98	314331	LV.F-80-14-AS-M12x98	80	M12	131	134	98	33	14	14	16000	142	168			
311421	LV.F-80-14-M14X68	314421	LV.F-80-14-AS-M14X68	80	M14	101	104	68	33	14	14	16000	143	169			
311431	LV.F-80-14-M14X98	314431	LV.F-80-14-AS-M14X98	80	M14	131	134	98	33	14	14	16000	164	190			
311441	LV.F-80-14-M14X148	314441	LV.F-80-14-AS-M14X148	80	M14	181	184	148	33	14	14	16000	247	273			
311521	LV.F-80-14-M16x68	314521	LV.F-80-14-AS-M16x68	80	M16	101	104	68	33	16	14	16000	165	191			
311525	LV.F-80-14-M16x108	314525	LV.F-80-14-AS-M16x108	80	M16	141	144	108	33	16	14	16000	217	243			
311541	LV.F-80-14-M16x148	314541	LV.F-80-14-AS-M16x148	80	M16	181	184	148	33	16	14	16000	269	295			
311561	LV.F-80-14-M16x168	314561	LV.F-80-14-AS-M16x168	80	M16	201	204	168	33	16	14	16000	295	321			
311621	LV.F-80-24-M16x58	314621	LV.F-80-24-AS-M16x58	80	M16	101	104	58	43	24	24	18000	227	253			
311625	LV.F-80-24-M16x98	314625	LV.F-80-24-AS-M16x98	80	M16	141	144	98	43	24	24	18000	278	304			
311641	LV.F-80-24-M16x138	314641	LV.F-80-24-AS-M16x138	80	M16	181	184	138	43	24	24	18000	328	354			
311661	LV.F-80-24-M16x158	314661	LV.F-80-24-AS-M16x158	80	M16	201	204	158	43	24	24	18000	355	381			
311725	LV.F-80-24-M20x98	314725	LV.F-80-24-AS-M20x98	80	M20	141	144	98	43	24	24	18000	348	374			
311741	LV.F-80-24-M20x138	314741	LV.F-80-24-AS-M20x138	80	M20	181	184	138	43	24	24	18000	427	453			
311761	LV.F-80-24-M20x158	314761	LV.F-80-24-AS-M20x158	80	M20	201	204	158	43	24	24	18000	466	492			
311781	LV.F-80-24-M20x198	314781	LV.F-80-24-AS-M20x198	80	M20	241	244	198	43	24	24	18000	549	575			
311825	LV.F-80-24-M24x98	314825	LV.F-80-24-AS-M24x98	80	M24	141	144	98	43	24	24	18000	446	472			
311861	LV.F-80-24-M24x158	314861	LV.F-80-24-AS-M24x158	80	M24	201	204	158	43	24	24	18000	618	644			
311881	LV.F-80-24-M24x198	314881	LV.F-80-24-AS-M24x198	80	M24	241	244	198	43	24	24	18000	736	762			
312451	LV.F-100-14-M8x43	315451	LV.F-100-14-AS-M8x43	100	M8	76	79	43	33	14	14	18000	93	148			
312453	LV.F-100-14-M8x68	315453	LV.F-100-14-AS-M8x68	100	M8	101	104	68	33	14	14	18000	105	160			
312461	LV.F-100-14-M10x43	315461	LV.F-100-14-AS-M10x43	100	M10	76	79	43	33	14	14	18000	102	157			
312463	LV.F-100-14-M10x68	315463	LV.F-100-14-AS-M10x68	100	M10	101	104	68	33	14	14	18000	114	169			
312465	LV.F-100-14-M10x98	315465	LV.F-100-14-AS-M10x98	100	M10	131	134	98	33	14	14	18000	128	183			
312471	LV.F-100-14-M12x43	315471	LV.F-100-14-AS-M12x43	100	M12	76	79	43	33	14	14	18000	112	167			
312473	LV.F-100-14-M12x68	315473	LV.F-100-14-AS-M12x68	100	M12	101	104	68	33	14	14	18000	129	184			
312475	LV.F-100-14-M12x98	315475	LV.F-100-14-AS-M12x98	100	M12	131	134	98	33	14	14	18000	150	205			
312477	LV.F-100-14-M14X68	315477	LV.F-100-14-AS-M14X68	100	M14	101	104	68	33	14	14	18000	151	206			
312479	LV.F-100-14-M14X98	315479	LV.F-100-14-AS-M14X98	100	M14	131	134	98	33	14	14	18000	172	227			
312480	LV.F-100-14-M14X148	315480	LV.F-100-14-AS-M14X148	100	M14	181	184	148	33	14	14	18000	255	310			
312481	LV.F-100-14-M16x68	315481	LV.F-100-14-AS-M16x68	100	M16	101	104	68	33	16	14	18000	173	228			
312483	LV.F-100-14-M16x108	315483	LV.F-100-14-AS-M16x108	100	M16	141	144	108	33	16	14	18000	225	280			
312485	LV.F-100-14-M16x148	315485	LV.F-100-14-AS-M16x148	100	M16	181	184	148	33	16	14	18000	277	332			
312487	LV.F-100-14-M16x168	315487	LV.F-100-14-AS-M16x168	100	M16	201	204	168	33	16	14	18000	303	358			
312521	LV.F-100-24-M16x58	315521	LV.F-100-24-AS-M16x58	100	M16	101	104	58	43	24	24	25000	257	311			
312525	LV.F-100-24-M16x98	315525	LV.F-100-24-AS-M16x98	100	M16	141	144	98	43	24	24	25000	308	362			
312541	LV.F-100-24-M16x138	315541	LV.F-100-24-AS-M16x138	100	M16	181	184	138	43	24	24	25000	358	412			
312561	LV.F-100-24-M16x158	315561	LV.F-100-24-AS-M16x158	100	M16	201	204	158	43	24	24	25000	385	439			
312625	LV.F-100-24-M20x98	315625	LV.F-100-24-AS-M20x98	100	M20	141	144	98	43	24	24	25000	378	432			
312641	LV.F-100-24-M20x138	315641	LV.F-100-24-AS-M20x138	100	M20	181	184	138	43	24	24	25000	457	511			
312661	LV.F-100-24-M20x158	315661	LV.F-100-24-AS-M20x158	100	M20	201	204	158	43	24	24	25000	496	550			
312681	LV.F-100-24-M20x198	315681	LV.F-100-24-AS-M20x198	100	M20	241	244	198	43	24	24	25000	579	633			
312725	LV.F-100-24-M24x98	315725	LV.F-100-24-AS-M24x98	100	M24	141	144	98	43	24	24	25000	476	530			
312761	LV.F-100-24-M24x158	315761	LV.F-100-24-AS-M24x158	100	M24	201	204	158	43	24	24	25000	648	702			
312781	LV.F-100-24-M24x198	315781	LV.F-100-24-AS-M24x198	100	M24	241	244	198	43	24	24	25000	766	820			

* The max static load is the value above which the load applied to the element may cause some plastic material breakage, in particular conditions of use. Obviously, a factor that takes into consideration the importance and the safety level of the specific application must be applied to this value.

Data with no-slip disk mounted.



Levelling elements and supports



LV.F

LV.F-AS

Code	Description	Code	Description	D	d	L	L1#	l	li	s	Articulation ∅	Max. limit stati load* [N]	⚖️ #	⚖️ #
313521	LV.F-125-24-M16x58	316221	LV.F-125-24-AS-M16x58	125	M16	125	128	58	67	24	24	28000	396	521
313525	LV.F-125-24-M16x98	316225	LV.F-125-24-AS-M16x98	125	M16	165	168	98	67	24	24	28000	447	572
313541	LV.F-125-24-M16x138	316241	LV.F-125-24-AS-M16x138	125	M16	205	208	138	67	24	24	28000	497	622
313561	LV.F-125-24-M16x158	316261	LV.F-125-24-AS-M16x158	125	M16	225	228	158	67	24	24	28000	524	649
313625	LV.F-125-24-M20x98	316325	LV.F-125-24-AS-M20x98	125	M20	165	168	98	67	24	24	28000	517	642
313641	LV.F-125-24-M20x138	316341	LV.F-125-24-AS-M20x138	125	M20	205	208	138	67	24	24	28000	596	721
313661	LV.F-125-24-M20x158	316361	LV.F-125-24-AS-M20x158	125	M20	225	228	158	67	24	24	28000	635	760
313681	LV.F-125-24-M20x198	316381	LV.F-125-24-AS-M20x198	125	M20	265	268	198	67	24	24	28000	718	843
313725	LV.F-125-24-M24x98	316425	LV.F-125-24-AS-M24x98	125	M24	165	168	98	67	24	24	28000	615	740
313761	LV.F-125-24-M24x158	316461	LV.F-125-24-AS-M24x158	125	M24	225	228	158	67	24	24	28000	787	912
313781	LV.F-125-24-M24x198	316481	LV.F-125-24-AS-M24x198	125	M24	265	268	198	67	24	24	28000	905	1030

* The max static load is the value above which the load applied to the element may cause some plastic material breakage, in particular conditions of use. Obviously, a factor that takes into consideration the importance and the safety level of the specific application must be applied to this value.

Data with no-slip disk mounted.