

- 1
- 2
- 3
- 4
- 5
- 6
- 7
- 8
- 9
- 10
- 11
- 12
- 13
- 14
- 15
- 16
- 17
- 18

**MATERIAL**

Glass-fibre reinforced polyamide based (PA) technopolymer, black colour, matte finish.

**STANDARD EXECUTION**

Boss H7 reamed through hole.

- **VDSC-GXX+I**: with revolving handle I.621+x (see page 406) in polyamide based (PA) technopolymer, black colour, matte finish. Black-oxide steel boss.
- **VDSC-GXX-SST+I**: with revolving handle I.621+x (see page 406) in polyamide based (PA) technopolymer, black colour, matte finish. AISI 303 stainless steel boss.
- **VDSC-GXX+IR**: with fold-away handle IR.620 (see page 414) in polyamide based (PA) technopolymer, black colour, matte finish. Black-oxide steel boss.
- **VDSC-GXX-SST+IR**: with fold-away handle IR.620 (see page 414) in polyamide based (PA) technopolymer, black colour, matte finish. AISI 303 stainless steel boss.

**INDICATOR CHOICE (TO BE ORDERED SEPARATELY)**

VDSC-XX solid handwheels can be used with analogue and digital-analogue gravity indicators. To choose the indicator see the table below for possible assembly with indicators. See also "Assembly instructions for gravity indicators type G". (on page 460).

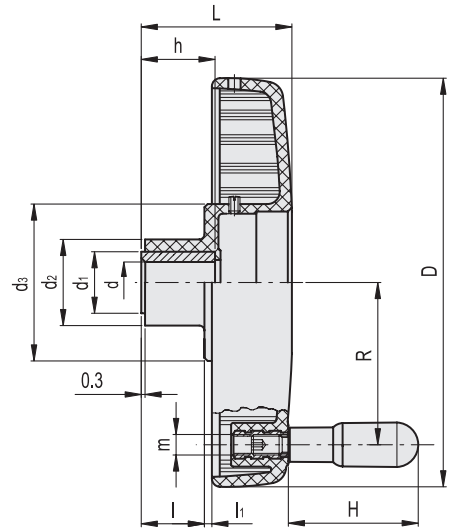
**ACCESSORIES ON REQUEST**

Closing cap CP-XX (see page 484) for use without the indicator.



ELESA Original design

**VDSC-GXX+I**  
**VDSC-GXX-SST+I**



**VDSC-GXX+I**

Code	Description	D	L	dH7	h	d1	d2	d3	l	li	H	m	R	⚖️	Handwheel/indicator combinations
CE.34015	VDSC.125-GXX2 A-8+I	125	63	8	22	22	35	76	22	14	65	M8	48.5	292	GA02 - GA12 - GW12
CE.34021	VDSC.125-GXX2 A-10+I	125	63	10	22	22	35	76	22	14	65	M8	48.5	290	GA02 - GA12 - GW12
CE.34075	VDSC.200-GXX2 A-16+I	200	70.5	16	34	30	42	76	30	2	90	M10	80	684	GA02 - GA12 - GW12
CE.34081	VDSC.200-GXX2 A-20+I	200	70.5	20	34	30	42	76	30	2	90	M10	80	680	GA02 - GA12 - GW12

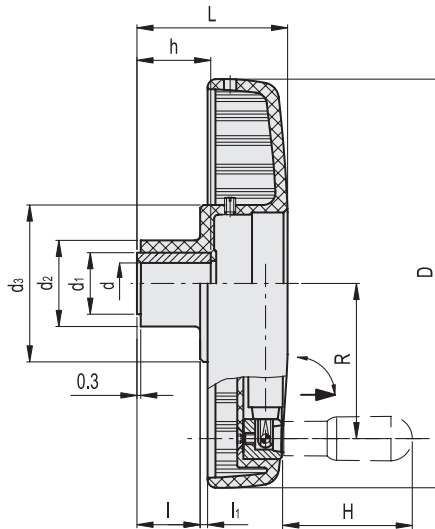
**VDSC-GXX+I-SST**

Code	Description	D	L	dH7	h	d1	d2	d3	l	li	H	m	R	⚖️	Handwheel/indicator combinations
CE.34017	VDSC.125-GXX2 SST-8+I	125	63	8	22	22	35	76	22	14	65	M8	48.5	293	GA02 - GA12 - GW12
CE.34023	VDSC.125-GXX2 SST-10+I	125	63	10	22	22	35	76	22	14	65	M8	48.5	291	GA02 - GA12 - GW12
CE.34077	VDSC.200-GXX2 SST-16+I	200	70.5	16	34	30	42	76	30	2	90	M10	80	685	GA02 - GA12 - GW12
CE.34083	VDSC.200-GXX2 SST-20+I	200	70.5	20	34	30	42	76	30	2	90	M10	80	681	GA02 - GA12 - GW12





VDSC-GXX+IR  
VDSC-GXX-SST+IR



VDSC-GXX+IR

Code	Description	D	L	dH7	h	d1	d2	d3	l	l1	H	R	⚖️	Handwheel/indicator combinations
CE.34001	VDSC.125-GXX1 A-8+IR	125	59.5	8	22	22	34	57.5	22	11	45	46	322	GA01 - GA11
CE.34005	VDSC.125-GXX1 A-10+IR	125	59.5	10	22	22	34	57.5	22	11	45	46	321	GA01 - GA11
CE.34045	VDSC.160-GXX2 A-10+IR	160	66	10	30	26	38.5	77	25.5	7.5	60	63	437	GA02 - GA12 - GW12
CE.34051	VDSC.160-GXX2 A-12+IR	160	66	12	30	26	38.5	77	25.5	7.5	60	63	435	GA02 - GA12 - GW12
CE.34085	VDSC.200-GXX2 A-16+IR	200	77	16	36	40	49	77	35	4	80	77	784	GA02 - GA12 - GW12
CE.34091	VDSC.200-GXX2 A-20+IR	200	77	20	36	40	49	77	35	4	80	77	780	GA02 - GA12 - GW12

VDSC-GXX-SST+IR



Code	Description	D	L	dH7	h	d1	d2	d3	l	l1	H	R	⚖️	Handwheel/indicator combinations
CE.34003	VDSC.125-GXX1 SST-8+IR	125	59.5	8	22	22	34	57.5	22	11	45	46	324	GA01 - GA11
CE.34007	VDSC.125-GXX1 SST-10+IR	125	59.5	10	22	22	34	57.5	22	11	45	46	323	GA01 - GA11
CE.34047	VDSC.160-GXX2 SST-10+IR	160	66	10	30	26	38.5	77	25.5	7.5	60	63	438	GA02 - GA12 - GW12
CE.34053	VDSC.160-GXX2 SST-12+IR	160	66	12	30	26	38.5	77	25.5	7.5	60	63	436	GA02 - GA12 - GW12
CE.34087	VDSC.200-GXX2 SST-16+IR	200	77	16	36	40	49	77	35	4	80	77	785	GA02 - GA12 - GW12
CE.34093	VDSC.200-GXX2 SST-20+IR	200	77	20	36	40	49	77	35	4	80	77	781	GA02 - GA12 - GW12