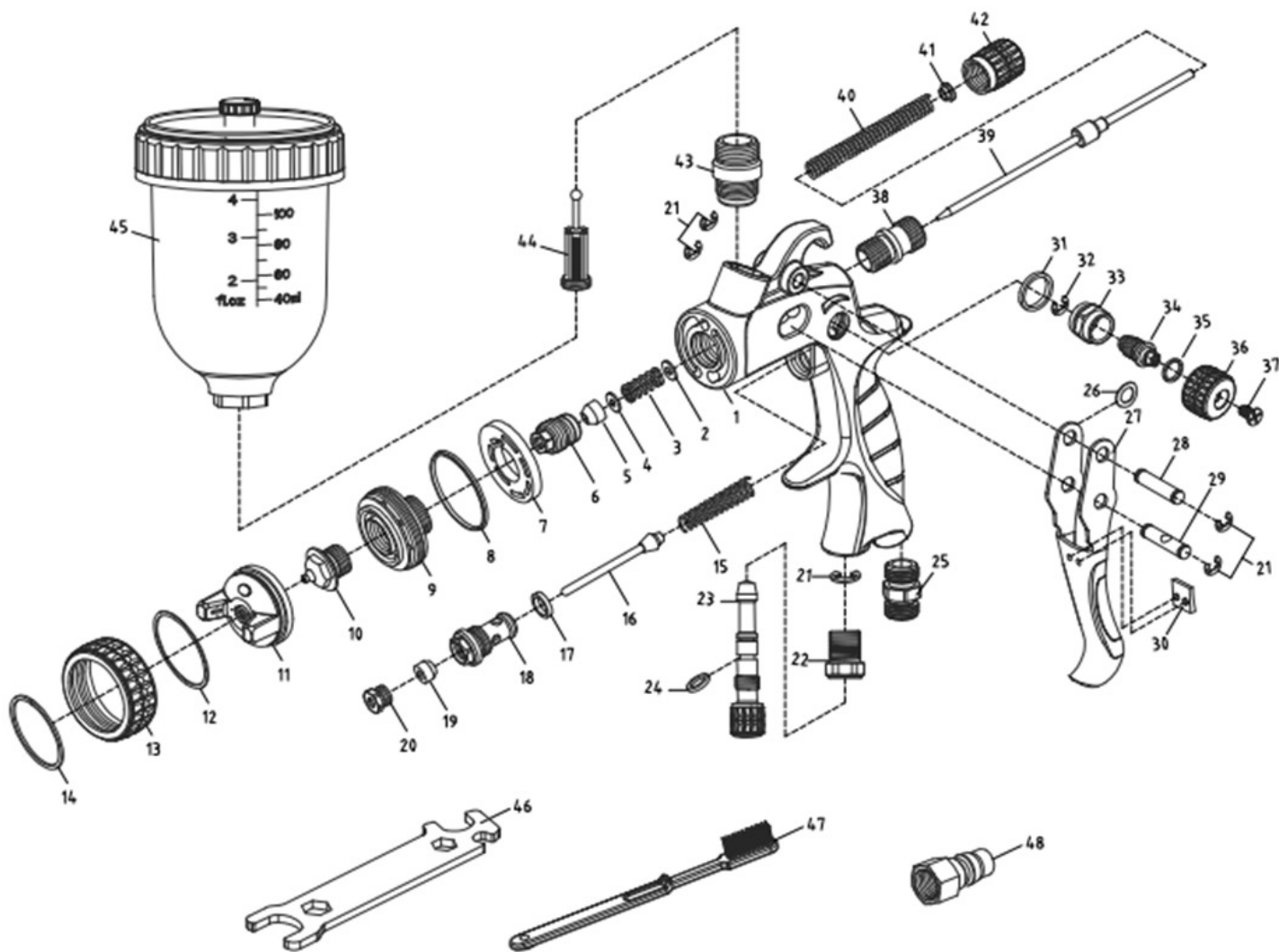




Parts Information:
HVLP Gravity Feed Touch-Up Spray Gun
1mm Set-Up
Model No: HVLP04



NOTE: It is our policy to continually improve products and as such we reserve the right to alter data, specifications and component parts without prior notice. There may be alternative versions of this product, please contact us should you require this information.

IMPORTANT: No liability is accepted for incorrect use of product. Spare parts must be fitted by a competent person

WARRANTY: Guarantee is 12 months from purchase date, proof of which will be required for any claim.

Sealey Group, Kempson Way, Suffolk Business Park, Bury St Edmunds, Suffolk. IP32 7AR



01284 757500



01284 703534



sales@sealey.co.uk



www.sealey.co.uk



Parts Information:
HVLP Gravity Feed Touch-Up Spray Gun
1mm Set-Up
Model No: HVLP04

Item	Part No.	Description
1	HVLP04.01	Gun Body
2	HVLP04.02	Needle Packing Screw Washer
3	HVLP04.03	Needle Packing Spring
4	HVLP04.04	Needle Packing Washer
5	HVLP04.05	Needle Packing Gasket
6	HVLP04.06	Needle Packing Screw
7	HVLP04.07	Air Baffle
8	HVLP04.08	Washer for Nozzle Seat
9	HVLP04.09	Nozzle Seat
10	HVLP04.10	Fluid Nozzle 1.0mm
--	HVLP04.10A	Fluid Nozzle 0.8mm
11	HVLP04.11	Air Cap 1.0mm
--	HVLP04.11A	Air Cap 0.8mm
12	HVLP04.12	Washer for Air Cap
13	HVLP04.13	Locking Ring
14	HVLP04.14	Retainer
15	HVLP04.15	Air Valve Spring
16	HVLP04.16	Air Valve Spindle
17	HVLP04.17	Air Valve Washer
18	HVLP04.18	Air Valve
19	HVLP04.19	Air Valve Seat
20	HVLP04.20	Sealing Screw
21	HVLP04.21	Retainer
22	HVLP04.22	Air Adjustment Adaptor
23	HVLP04.23	Air Adjustment Knob
24	HVLP04.24	Gland Seal

Item	Part No.	Description
25	HVLP04.25	Air Adaptor
26	HVLP04.26	Washer
27	HVLP04.27	Trigger
28	HVLP04.28	Trigger Pin
29	HVLP04.29	Hinge Pin
30	HVLP04.30	Washer
31	HVLP04.31	Gasket
32	HVLP04.32	Retainer
33	HVLP04.33	Spray Pattern Adjustment Adaptor
34	HVLP04.34	Spray Pattern Adjustment Lever
35	HVLP04.35	Washer
36	HVLP04.36	Spray Pattern Adjustment Knob
37	HVLP04.37	Spray Pattern Adjustment Knob Screw
38	HVLP04.38	Needle Adjustment Adaptor
39	HVLP04.39	Fluid Needle 1.0mm
--	HVLP04.39A	Fluid Needle 0.8mm
40	HVLP04.40	Needle Adjustment Spring
41	HVLP04.41	Spring Plug
42	HVLP04.42	Needle Adjustment Knob
43	HVLP04.43	Fluid Pot Adaptor
44	HVLP04.44	Fluid Pot Filter
45	HVLP04.45	Fluid Pot
46	HVLP04.46	Multi-Purpose Spanner
47	HVLP04.47	Brush
48	HVLP04.48	Adaptor (Male)

NOTE: It is our policy to continually improve products and as such we reserve the right to alter data, specifications and component parts without prior notice. There may be alternative versions of this product, please contact us should you require this information.

IMPORTANT: No liability is accepted for incorrect use of product. Spare parts must be fitted by a competent person

WARRANTY: Guarantee is 12 months from purchase date, proof of which will be required for any claim.

Sealey Group, Kempson Way, Suffolk Business Park, Bury St Edmunds, Suffolk. IP32 7AR



01284 757500



01284 703534



sales@sealey.co.uk



www.sealey.co.uk