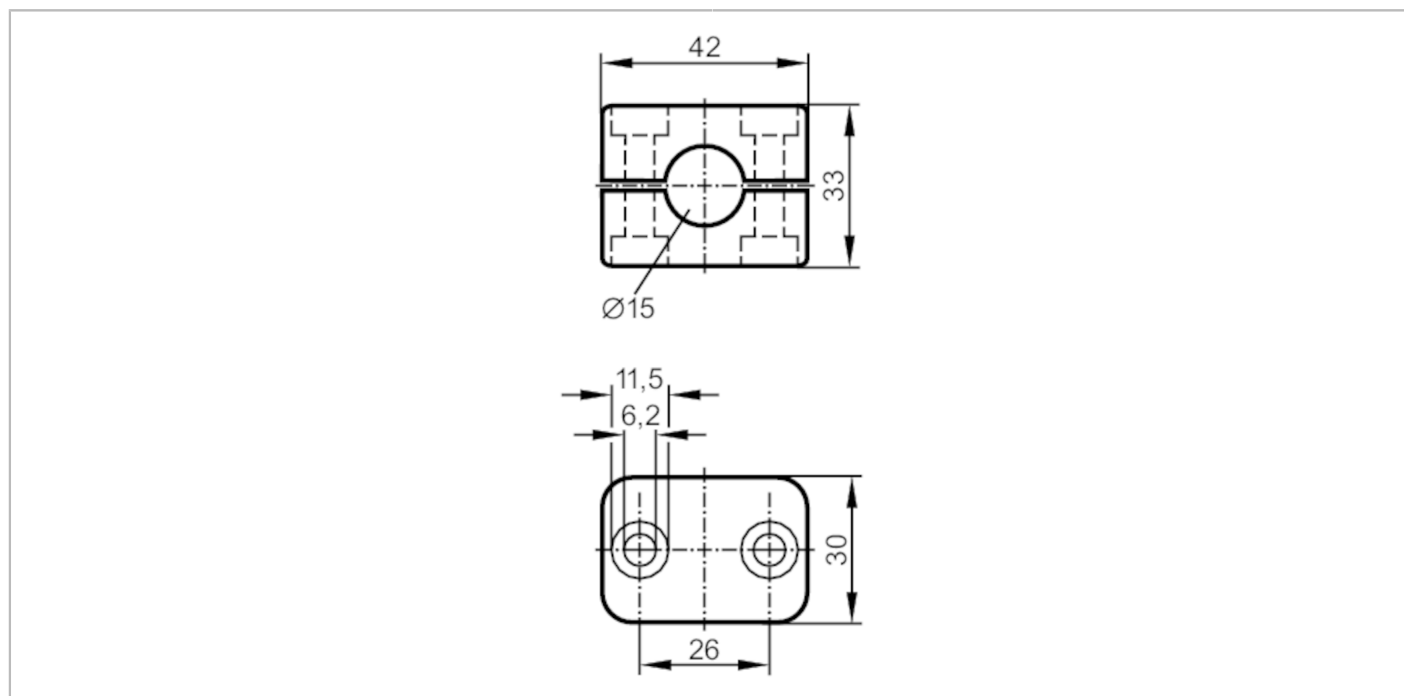


E43000



Mounting clamp for level sensors

MOUNTING CLAMPS F SENSOR LK LI



Application	
Design	for capacitive level sensors LK, LI, LT, LL
Mechanical data	
Weight [g]	17.8
Dimensions [mm]	33 x 42 x 30
Inside diameter [mm]	16
Materials	PP
Tightening torque [Nm]	2.5
Remarks	
Pack quantity	1 pcs.